

CD-S3000

Compact Disc Player
Lecteur Compact Disc



OWNER'S MANUAL
MODE D'EMPLOI
BEDIENUNGSANLEITUNG
BRUKSANVISNING
MANUALE DI ISTRUZIONI
MANUAL DE INSTRUCCIONES
GEBRUIKSAANWIJZING
ИНСТРУКЦИЯ ПО ЭКСПЛУАЦИИ

A Living Tradition in Sound

A piano comes into this world through the perfect synergy of advanced technical skill and artistry. Such a piano can create sound that truly reflects the player's feelings.

The final stage in piano production is called "voicing". It is here that the instrument is given its soul.

A highly skilled expert concentrates his mind and sensitivity on the sound of each key, finely adjusting the dynamic feel of the hammers, bringing the tone and vibrancy of all 88 keys together perfectly; a truly stunning achievement.

It is a quality of sound that can only be determined by an astute, sensitive ear. We apply this very same concept to the manufacture of our audio products. The technician performs exhaustive listening tests and every component is considered, in order to finally achieve the ideal sound.

Yamaha's tradition of audio quality stretches back over 125 years, and continues to live on in all Yamaha products today.



Excellence in Audio Achievement

1920-
1960s

• **First HiFi System introduced in 1920**

We introduced numerous HiFi components (turntables, FM/AM tuners, integrated amplifiers, preamplifiers, power amplifiers and speakers) in 1955 - 1965.

Natural Sound Speaker Series introduced in 1967

NS-20 Monitor Speaker



NS-20



CA-1000

1970s

• **CA-1000 Integrated Amplifier**

Featuring A-Class operation, the CA-1000 set the standard for integrated amplifiers.

NS-690 Natural Sound Speaker



NS-690



NS-1000M

NS-1000M Monitor Speaker

A truly legendary speaker still revered by HiFi enthusiasts.

B-1 Power Amplifier

An innovative power amp that used vertical FETs in all stages.



B-1



C-2

C-2 Control Amplifier

Received top prize at the Milan International Music and HiFi Show.

NS-10M Studio Monitor Speaker

Became of the most popular studio monitors in the world.



PX-2



NS-10M

A-1 Integrated Amplifier

PX-2 Turntable

Yamaha's first straight arm turntable.



A-1

1980s

• **B-6 Power Amplifier**

Pyramid-shaped power amplifier.

GT-2000/L Turntable

First CD Player (CD-1) introduced in 1983

B-2x Power Amplifier



MX-10000



CX-10000

**MX-10000 Power Amplifier and
CX-10000 Control Amplifier**

Redefined the capabilities of separate components.

AX-1 Integrated Amplifier



B-6



B-2x

1990s

• **GT-CD1 CD Player**

**MX-1 Power Amplifier and
CX-1 Preamplifier**



MX-10000



A-S2000

2000s

• **Soavo-1 and Soavo-2 Natural Sound Speaker Systems**

**A-S2000 Stereo Amplifier and
CD-S2000 Super Audio CD Player**



Soavo-1



CD-S2000

2010s

• **NP-S2000 Network Player**



NP-S2000

CD-S3000

- ◆ *Full-stage balanced signal transmission beginning with the DAC achieves the ultimate in CD reproduction*
- ◆ *Independent power supplies with digital and analog completely separated*
- ◆ *Exclusive Yamaha loading mechanism and high precision CD drive*
- ◆ *Left-right symmetrical design with rigid, stable construction*
- ◆ *Pure Direct*
- ◆ *Super sound from Super Audio CDs*
- ◆ *Heavy feet with newly-developed antivibration spikes*
- ◆ *DSD playback via 192 kHz, 24-bit USB DAC*

■ Supplied accessories

Please check that you have received all of the following parts.

- Power cable
- Remote control
- Batteries (AAA, R03, UM-4) (×2)
- Stereo pin cable
- SAFETY BROCHURE

Contents

Controls and functions.....	6
Connections.....	18
Playback of music files stored on a PC.....	22
Specifications	26
Playable disc format.....	27
Troubleshooting.....	29

■ About this manual

- ※ indicates a tip for your operation.
- The color of images in this manual may vary from the original.
- Read the “SAFETY BROCHURE” before using this unit.

CD-S3000

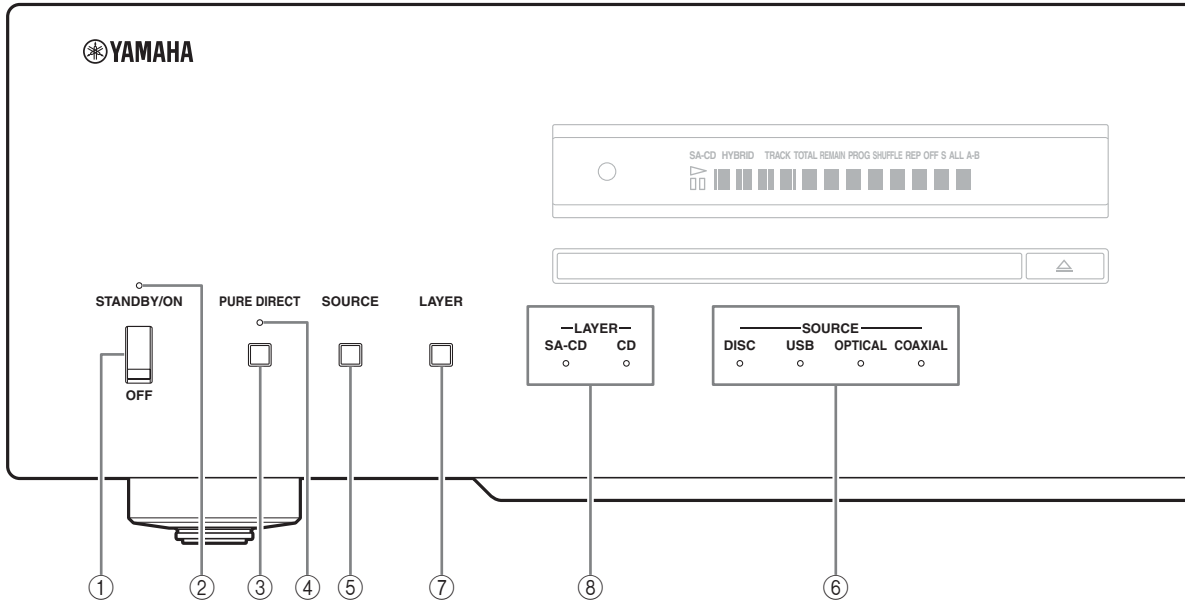
Controls and functions

In this chapter, you will learn the controls and functions of CD-S3000.



Controls and functions

■ Front panel (pages 6 to 9)



① STANDBY/ON/OFF switch

Turns on or off this unit.

STANDBY/ON (upper position):

In this position, you can select STANDBY or ON, using the CD key on the remote control.

OFF (lower position):

The power of this unit is turned off.

Notes

- When you turn on this unit, it will take a few seconds before this unit can reproduce sound.
- If this unit is not operated for 30 minutes with no audio signal detected, it goes to STANDBY mode (page 15).
- If you disconnect the power cable from the AC outlet and connect it again when this unit is in STANDBY mode, the power of the unit is turned on (page 20). If the unit is not to be operated for a long time, set the STANDBY/ON/OFF switch to OFF.

② STANDBY/ON indicator

Lit brightly:

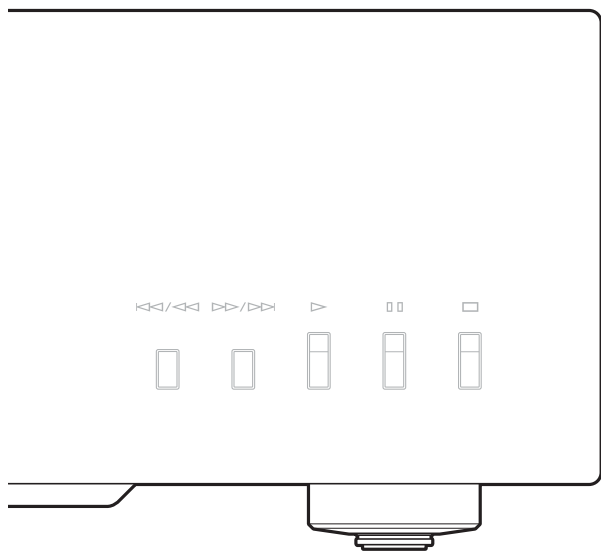
Shows that the power of the unit is ON. In this condition, you can switch the unit to STANDBY mode using the CD key on the remote control.

Lit dimly:

Shows that the unit is in STANDBY mode. In this condition, press the CD key on the remote control to turn on the unit.

Off:

Shows that the power of the unit is OFF. In this condition, you can turn on the unit using the STANDBY/ON/OFF switch only.



③ **PURE DIRECT key**

Turns on the PURE DIRECT mode to improve audio quality.

When this unit is in the PURE DIRECT mode:

- No signal is output from the DIGITAL OUT (OPTICAL and COAXIAL) jacks on the rear panel (page 10).
- The least indicators and messages appear on the front panel display.



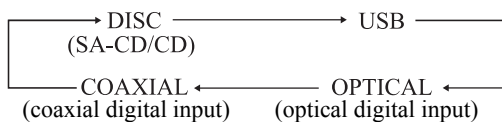
- Press this key again to turn off the PURE DIRECT mode.
- This setting is retained even if you turn off this unit.

④ **PURE DIRECT indicator**

Lights when the PURE DIRECT mode is turned on.

⑤ **SOURCE key**

Selects the audio source to be played back. Each time you press this key, the audio source is switched.



The audio source setting is retained even if you turn off this unit.

⑥ **SOURCE indicators**

The indicator of the audio source selected with the SOURCE key lights.

⑦ **LAYER key**

Switches the playback layer of a hybrid Super Audio CD between SA-CD and CD while playback is stopped (page 27).



This setting is retained even if you turn off this unit.

Note

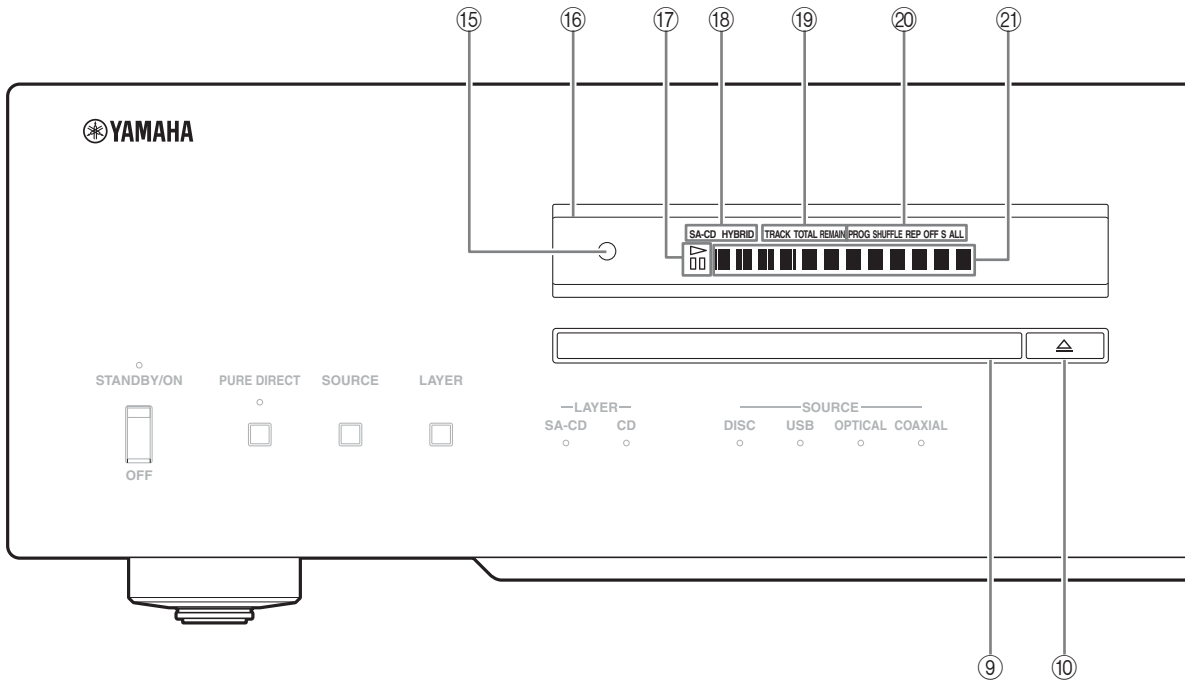
When SA-CD layer is selected, audio signals are output only from the BALANCED OUT and ANALOG OUT jacks.

⑧ **LAYER indicators**

The indicator of the layer selected with the LAYER key lights.

Controls and functions

■ Front panel (pages 6 to 9)



⑨ **Disc tray**

Loads a disc.

⑩ **△ (Open/Close) key**

Opens or closes the disc tray.



The disc tray also closes automatically when you press:

- the ▷ (Play) key on the front panel or on the remote control.
- the front edge of the disc tray gently.
- a numeric button on the remote control.

⑪ **⏮/⏪ (Skip/Search backward) key**

Press the key once to skip back to the beginning of the current track.

Press it twice to skip to the beginning of the previous track.

Press and hold it to search backward.

⑫ **⏩/⏭ (Skip/Search forward) key**

Press the key once to skip to the next track.

Press and hold it to search forward.

⑬ **▷ (Play) key**

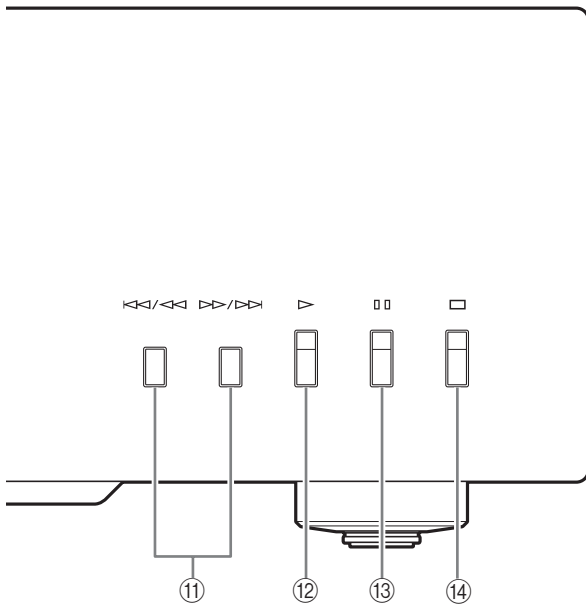
Starts playback.

⑭ **⏸ (Pause) key**

Pauses playback. Press the ▷ or ⏸ key to resume playback.

⑮ **⏹ (Stop) key**

Stops playback.

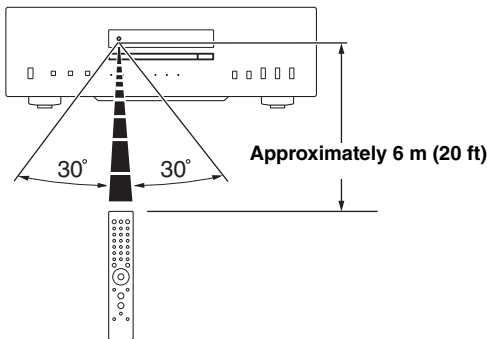


15 Remote control sensor

Receives signals from the remote control.



The remote control transmits a directional infrared beam. Be sure to aim the remote control directly at the remote control sensor on the front panel of this unit during operation.



16 Display

The brightness can be adjusted with the DIMMER key on the remote control (page 12).

17 > (playback) / || (pause) indicator

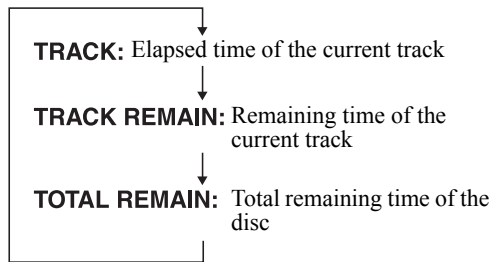
Lights in the playback/pause mode.

18 Disc type indicator

Indicates the type (SA-CD/CD/HYBRID) of the disc in the disc tray.

19 Time display mode indicator

Indicates the time display mode of the display. Change the mode by pressing the DISPLAY key on the remote control (page 13).



20 Playback mode indicator

Indicates the current playback mode.

PROG: Program playback (page 14)

SHUFFLE: Shuffle playback (page 13)

REP OFF: Repeat playback off (page 12)

REP S: Single repeat playback (page 12)

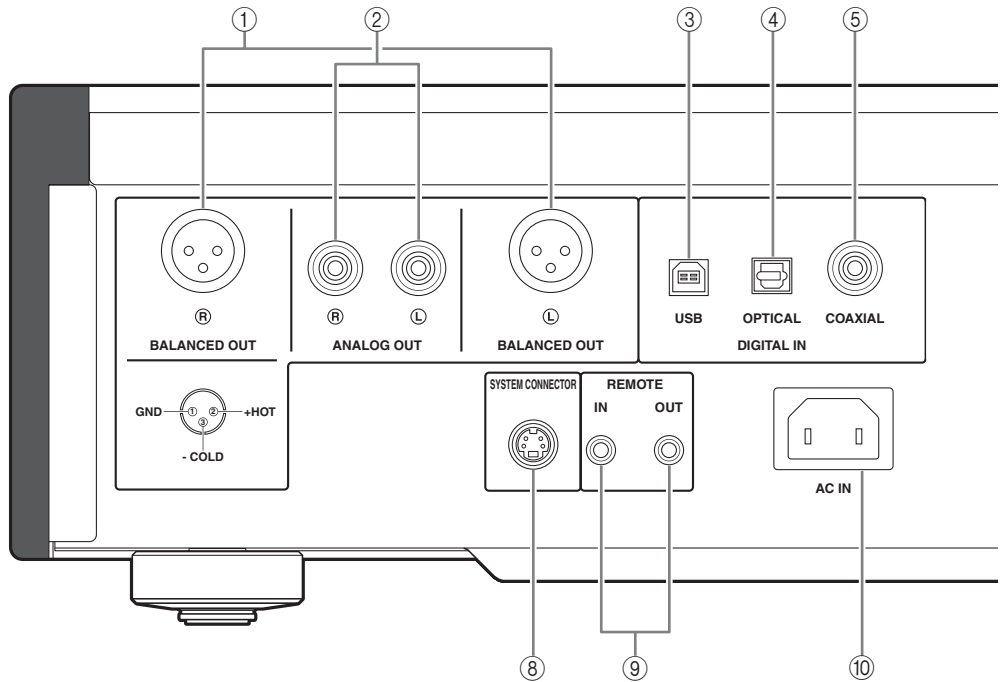
REP ALL: All repeat playback (page 12)

21 Information display

See page 28 for more information on MP3/WMA playback.

Controls and functions

■ Rear panel



See page 18 for connection information.

- ① **BALANCED OUT jacks (male)**
- ② **ANALOG OUT jacks**
- ③ **DIGITAL IN USB jack (Type B)**
- ④ **DIGITAL IN OPTICAL jack**
- ⑤ **DIGITAL IN COAXIAL jack**
- ⑥ **DIGITAL OUT OPTICAL jack**
- ⑦ **DIGITAL OUT COAXIAL jack**

Note

While playing the Super Audio CD layer, the audio signals are output only from the BALANCED OUT and ANALOG OUT jacks.

⑧ **SYSTEM CONNECTOR**

Use this connector to connect a product testing device for servicing.

⑨ **REMOTE IN/OUT jacks**

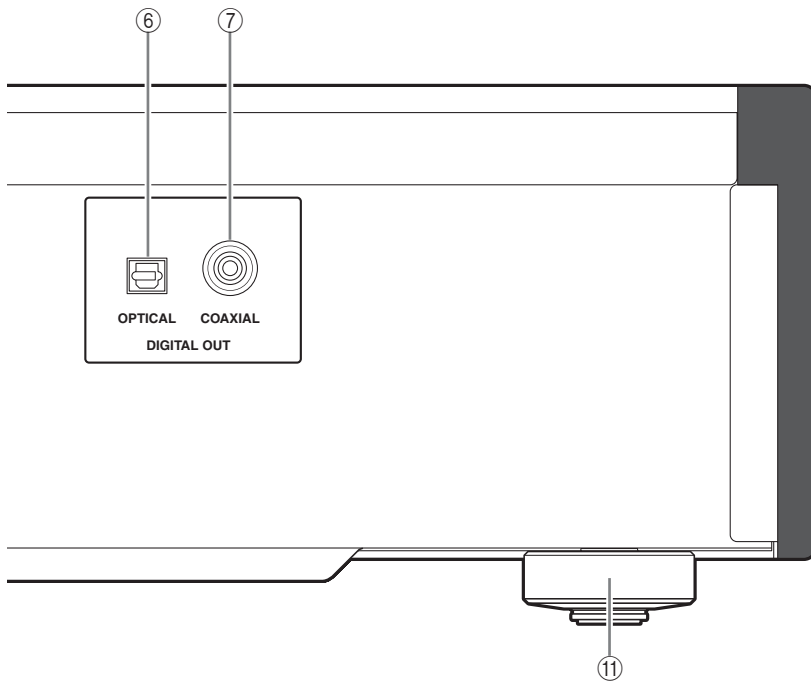
Use these jacks to connect an external component for remote operation.

For details on the connection, see page 21.

⑩ **AC IN inlet**

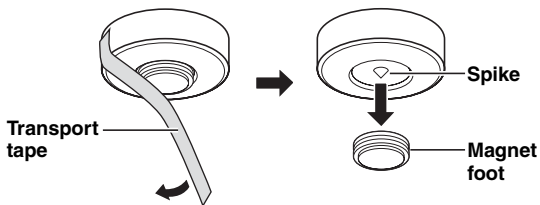
Use this inlet to plug in the supplied power cable.

See page 20 for connection information.



⑪ **Foot**

The feet of this unit include built-in spikes. Using the spikes can reduce the effect of vibrations on the set. When using the spikes, remove the transport tape, then remove the magnet foot by pulling it.



Caution

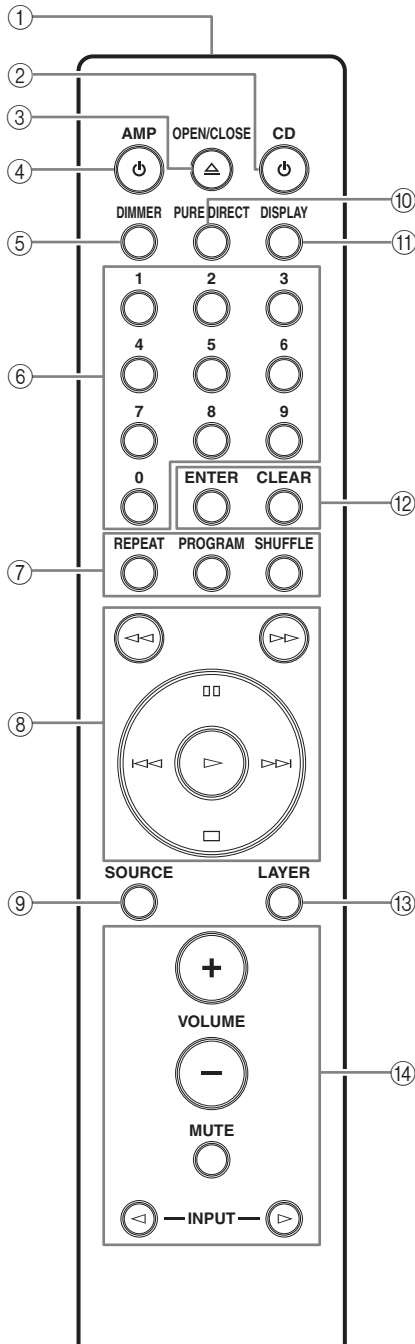
When using the feet's built-in spikes, the spikes may scratch the shelf or floor on which this unit is installed. Use the magnet feet or appropriate supports when placing this unit on expensive furniture, etc.



If this unit is unstable, you can adjust the foot height by rotating it.

Controls and functions

Remote control



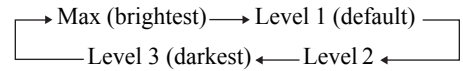
- ① **Infrared signal transmitter**
Sends infrared signals to this unit.
- ② **CD key**
Turns this unit ON or switches it to STANDBY mode. For details on STANDBY, see “Front panel” (page 6).

- ③ **△ OPEN/CLOSE key**
Opens or closes the disc tray.
- ④ **AMP key**
Turns the Yamaha amplifier ON or switches it to STANDBY mode.

Note

Some Yamaha amplifiers cannot be controlled with the AMP key of this remote control.

- ⑤ **DIMMER key**
Selects the brightness level for the front panel display. Each time you press the DIMMER key, the brightness level changes in the following order:



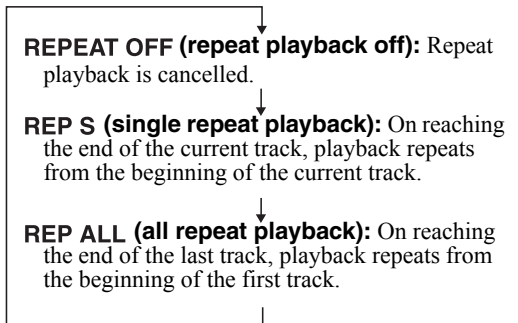
This setting is retained even if you turn off this unit.

- ⑥ **Numeric buttons**
Use to select a track directly.

Note

This operation is ineffective for MP3 or WMA discs.

- ⑦ **REPEAT key**
Repeats playback of a single track or all tracks. Each time you press the REPEAT key during playback, the repeat playback mode changes as follows:



Note

This operation is ineffective for MP3 or WMA discs.

PROGRAM key

Turns on or off the program playback mode. See “Program playback” (page 14).

SHUFFLE key

Plays tracks on the disc in random order (shuffle playback).

Notes

- This operation is ineffective for MP3 or WMA discs.
- The shuffle playback mode is cancelled when playback is stopped or the disc is ejected.

⑧ ◀◀ (Search backward) key

▶▶ (Search forward) key

Searches tracks backward/forward.

⏸ (Pause) key

Pauses playback. Press the ▶▶ or ⏸ key to resume playback.

▶ (Play) key

Starts playback.

◀◀ (Skip backward) key

Press the key once to skip back to the beginning of the current track.

Press it twice to skip to the beginning of the previous track.

▶▶ (Skip forward) key

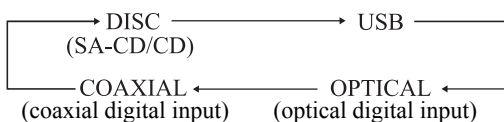
Press the key once to skip to the next track.

⏹ (Stop) key

Stops playback.

⑨ SOURCE key

Selects the audio source to be played back. Each time you press this key, the audio source is switched.



The audio source setting is retained even if you turn off this unit.

⑩ PURE DIRECT key

Turns on the PURE DIRECT mode to improve audio quality.

When this unit is in the PURE DIRECT mode:

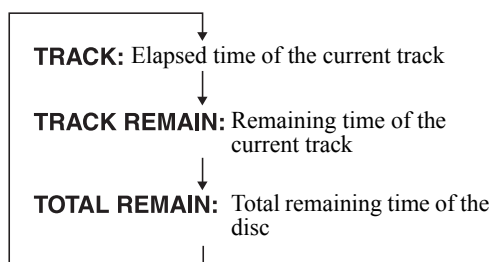
- The PURE DIRECT indicator lights.
- No signal is output from the DIGITAL OUT (OPTICAL and COAXIAL) jacks on the rear panel (page 10).
- The least indicators and messages appear on the front panel display.



- Press this key again to turn off the PURE DIRECT mode.
- This setting is retained even if you turn off this unit.

⑪ DISPLAY key

Switches the time display. Each time you press the DISPLAY key during playback, the time display changes as follows:



⑫ ENTER key

Confirms a track number entered when you are programming tracks.

CLEAR key

Erases the last programmed track when this unit is in the program editing mode. See “Program playback” (page 14).



To erase all programmed tracks, press the CLEAR key while programmed playback is stopped.

⑬ LAYER key

Switches the playback layer of a hybrid Super Audio CD between SA-CD and CD while playback is stopped (page 27).



This setting is retained even if you turn off this unit.

Note

When SA-CD layer is selected, audio signals are output only from the BALANCED OUT and ANALOG OUT jacks.

⑭ Yamaha amplifier operation keys

Operates the Yamaha amplifier.

Refer to the owner’s manual of your amplifier for details.

Note

Some Yamaha amplifiers cannot be controlled with the keys of this remote control.

See page 28 for more information on MP3/WMA playback.

Controls and functions

■ Program playback

In the program playback mode, you can play back tracks in a programmed sequence.

Notes

- This operation is ineffective for MP3 or WMA discs.
- The programmed tracks are erased in the following cases:
 - when the disc is ejected
 - when this unit is turned off or goes to STANDBY mode
 - when an audio source other than the disc is selected
 - when the playback layer of a hybrid Super Audio CD is switched between SA-CD and CD

1 Press PROGRAM while playback is stopped.

This unit is set to the program editing mode.

2 Select a track by using the numeric buttons and press ENTER.

3 Repeat step 2 to program the next track.

You can program up to 24 tracks.

4 Press the ▷ (Play) key.

Playback starts from the beginning of the programmed sequence.

■ Setting the DPLL (Digital Phased Lock Loop) bandwidth

The audio DAC (ES9018) of this unit employs DPLL to generate accurate clock signals synchronized with the clock of the input digital audio signal. The 7-step DPLL bandwidth setting gives the unit tolerance for fluctuation of the clock of the input digital signal and adjustment of the accuracy of the operating clock in the DAC.

1 Press SOURCE to select the audio source to be played back.

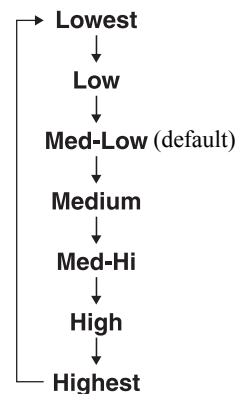
The DPLL bandwidth can be set for each audio source, respectively.

2 Within 5 seconds after selecting the audio source, press ENTER.

The unit enters the setting mode, and the DPLL bandwidth currently set appears on the information display.

3 Select the DPLL bandwidth using the ◻◻ (pause) key and the ◻ (stop) key.

Each time the ◻◻ (pause) key is pressed, the bandwidth changes in the following order. If you press the ◻ (stop) key, it changes in reverse order.



4 Press ENTER.

The setting value flashes for 3 seconds, then the unit resumes to normal mode.

To cancel the setting, press CLEAR.

Notes

- As the DPLL bandwidth setting value approaches “Lowest,” the accuracy of the operating clock in the DAC improves, but the unit may be susceptible to a change in the clock of the external component. The sound from such a component may more easily skip.
- As the DPLL bandwidth setting value approaches “Highest,” the accuracy of the operating clock in the DAC deteriorates, but the unit is far less susceptible to a change in the clock of the external component, and the sound from such a component hardly skips.

■ Setting the AUTO POWER STANDBY function

The AUTO POWER STANDBY function can be set to ON or OFF. When set to ON, if the unit is not operated for 30 minutes with no audio signal detected, it automatically goes to STANDBY mode. When set to OFF, the unit does not go to STANDBY mode automatically.

1 Open the disc tray and remove any currently-loaded disc from the unit.

Skip step 1 to 3 if “NO DISC” appears on the information display.

2 Close the disc tray.

3 Press SOURCE to select “DISC” as the audio source.

“NO DISC” appears on the information display.

4 Press and hold the \square (Stop) key or \triangleright (Play) key on the front panel for about 2 seconds to switch the setting.

\square (Stop) key: The AUTO POWER STANDBY function switches to ON, and “AutoSTBY ON” appears on the information display.

\triangleright (Play) key: The AUTO POWER STANDBY function switches to OFF, and “AutoSTBY OFF” appears on the information display.

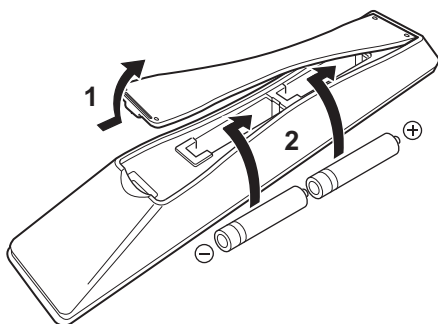
Notes

- The default setting for the AUTO POWER STANDBY function is ON.
- This setting is retained even if you turn off this unit.

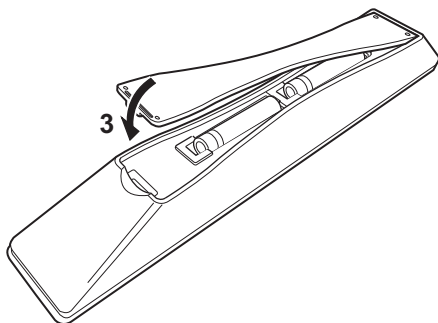
Controls and functions

■ Installing batteries in the remote control

- 1 Remove the battery compartment cover.
- 2 Insert the two batteries (AAA, R03, UM-4) according to the polarity markings (+ and -) on the inside of the battery compartment.



- 3 Reinstall the battery compartment cover.

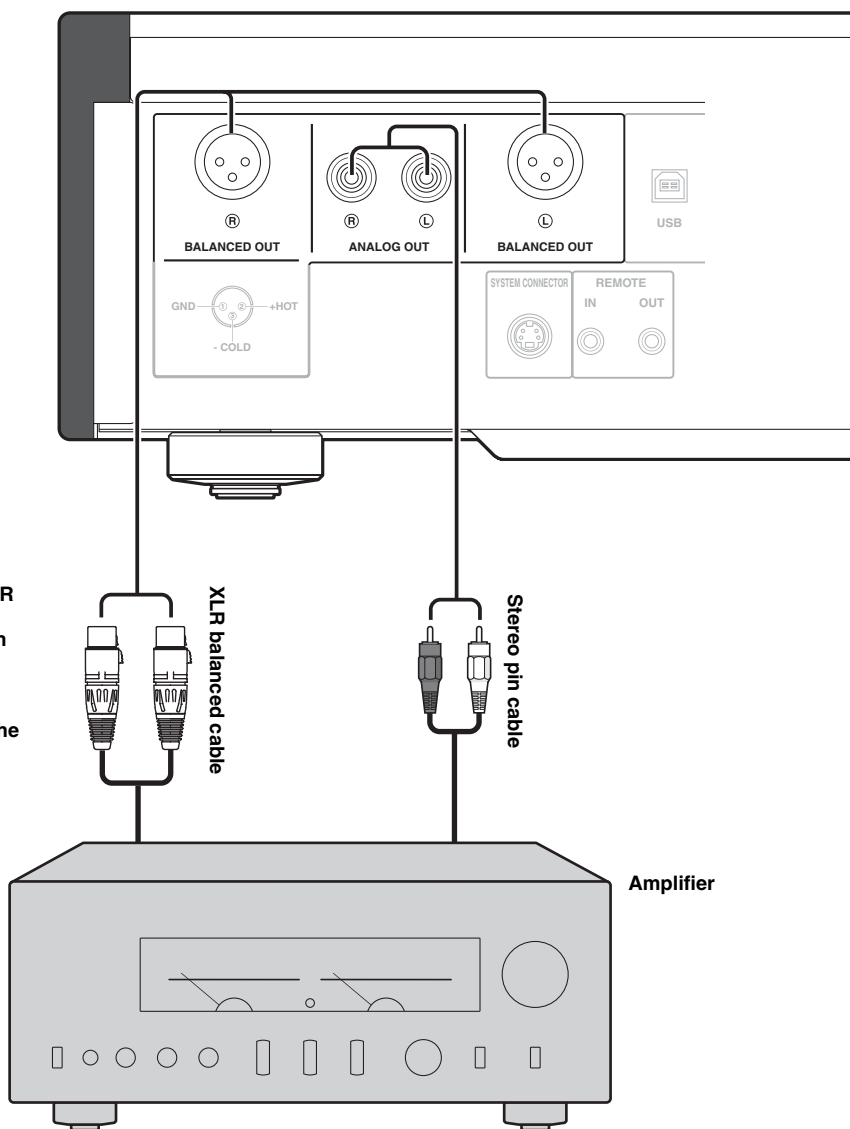


CD-S3000 **Connections**

In this section, you will make connections between CD-S3000 and your amplifier.

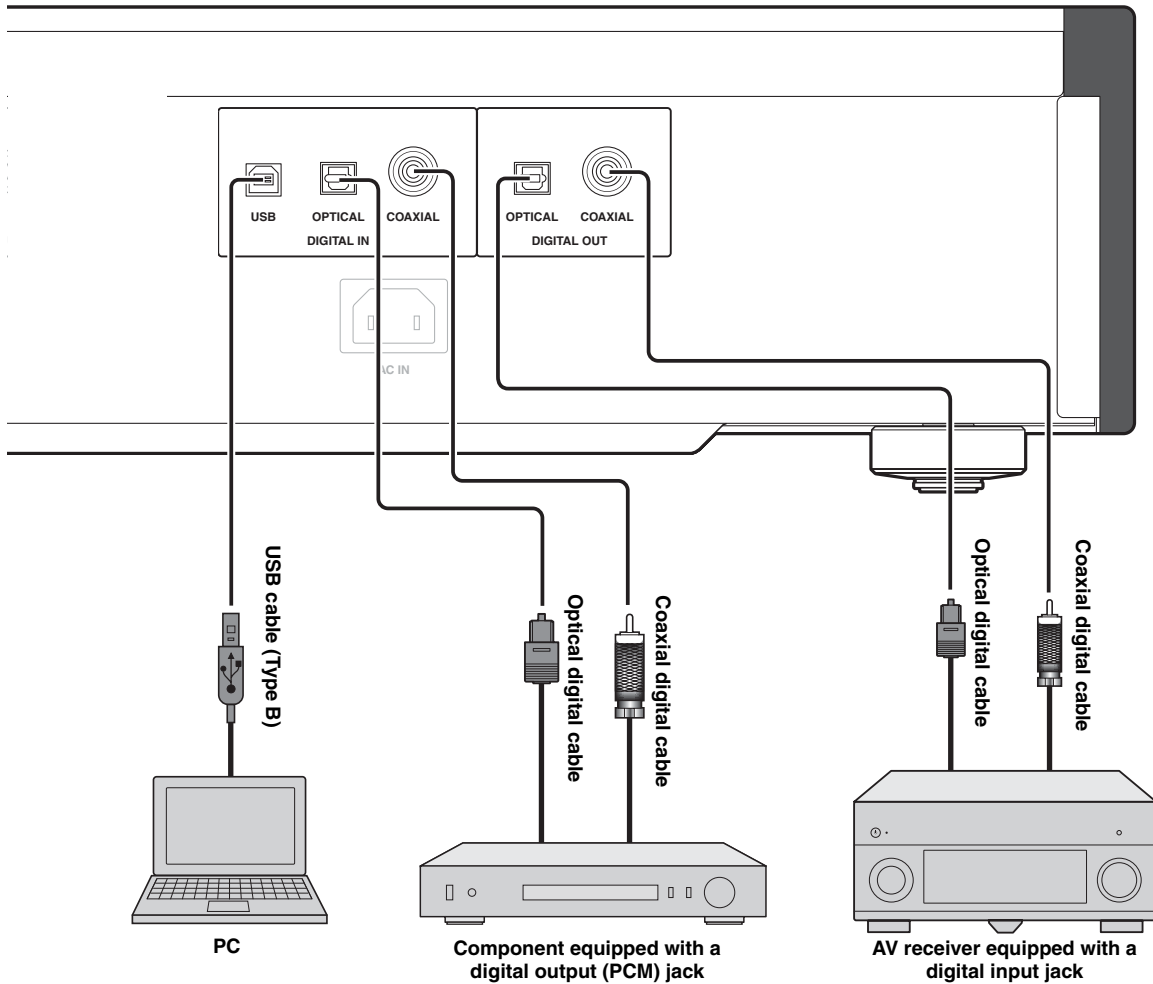


Connections



If your amplifier is equipped with XLR balanced input jacks, we recommend balanced connection for optimum audio performance.

When the SA-CD layer is played, the audio signals are output only from the **BALANCED OUT** and **ANALOG OUT** jacks.



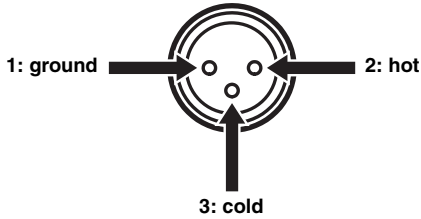
Note

Only PCM signals can be input to the DIGITAL IN (OPTICAL/COAXIAL) jacks of this unit. For details on the supported PCM signals, see page 26.

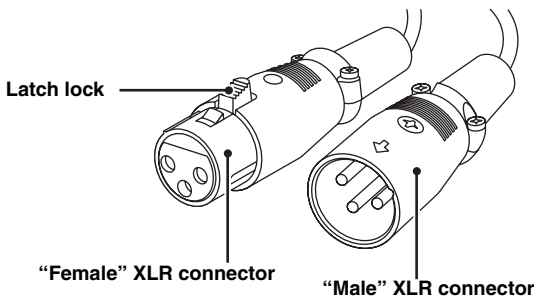
Connections

■ Connecting to the BALANCED OUT jacks

Connect your amplifier with the XLR balanced input jacks. The pin assignments for these jacks are shown below. Refer to the owner's manual supplied with your amplifier and verify that its XLR balanced input jacks are compatible with the pin assignments.

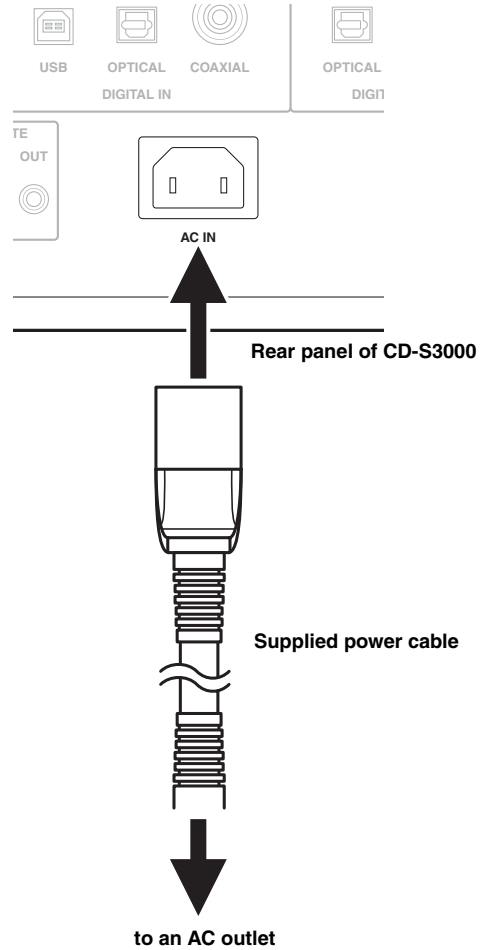


When connecting, be sure to match the pins and insert the connector of the "female" XLR balanced cable. When disconnecting, pull out the "female" XLR balanced cable while pressing down the latch lock on the plug.



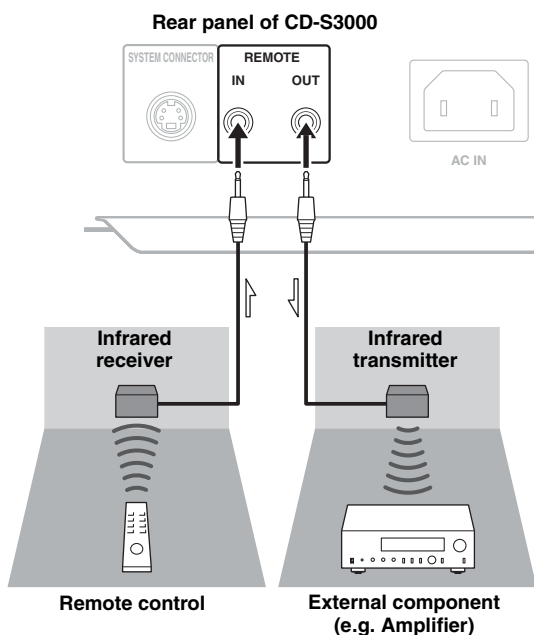
■ Connecting the power cable

Plug the power cable into the AC IN inlet when all connections are complete, and then plug in the power cable to the AC outlet.



■ Operating this unit from another room

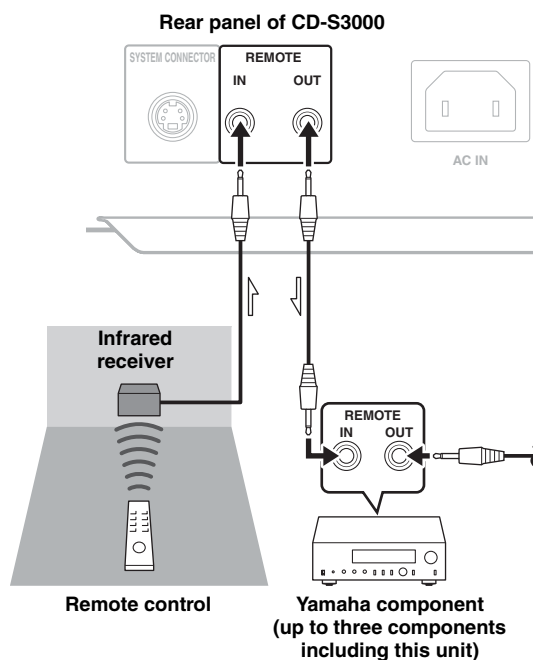
If you connect an infrared receiver and transmitter to the REMOTE IN/OUT jacks of this unit, you can operate the unit and/or external component using the supplied remote control located in another room.



■ Remote connection between Yamaha components

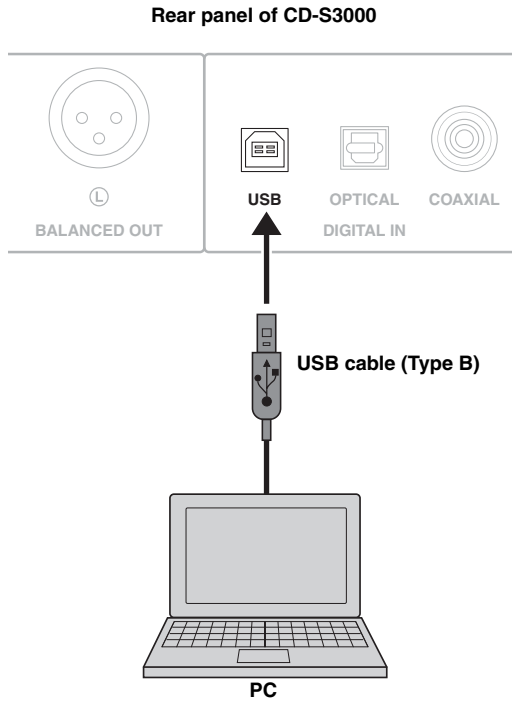
When you have another Yamaha component supporting remote connection, as this unit does, an infrared transmitter is not necessary. You can transmit remote signals by connecting an infrared receiver and the REMOTE IN jack of the other component to the REMOTE IN/OUT jacks of this unit, using cables with monaural miniplugs.

Up to three Yamaha components (including this unit) can be connected.



Playback of music files stored on a PC

When a PC is connected to the USB jack of this unit, the unit functions as a USB DAC, enabling music files stored on the PC to be played via an amplifier connected to the unit.



Supported operating systems

The USB connection with this unit is for PCs with the following operating systems:

Windows: Windows Vista (SP2, 32bit/64bit)/
Windows 7 (32bit/64bit)/
Windows 8 (32bit/64bit)

Mac: OS X 10.5.8/10.6.8/10.7.x/10.8.x

Notes

- Operations with other operating systems are not guaranteed.
- Operations may be disabled even with the above-mentioned operating systems, depending on the configuration or environment of the PC.
- Operations may not be executed correctly if the PC is connected to this unit before the driver is installed.

Installing the dedicated driver

Before connecting a PC to this unit, install the dedicated driver on the PC.

- 1 Access the following URL, download the dedicated “Yamaha Steinberg USB Driver,” then extract and execute the file.**

Website for downloading the exclusive driver
URL: <http://download.yamaha.com/>

- 2 Install the downloaded “Yamaha Steinberg USB Driver” on the PC.**

For details, refer to the Installation Guide supplied with the downloaded driver.

- 3 When installation is complete, quit all running applications.**

- 4 Set the audio output destination of the computer to “Yamaha CD Player.”**

With Windows OS:

Control Panel → Sound → [Playback] tab

With Mac OS:

System Preferences → Sound → [Output] tab

The setting may vary, depending on the operating system. For details, consult the manufacturer of your PC.



Transmittable sampling frequencies are as follows:
44.1 kHz/48 kHz/88.2 kHz/96 kHz/176.4 kHz/192 kHz

Notes

- Operations may not be executed correctly if the PC is connected to this unit before the driver is installed.
- When the driver is installed on a Windows XP computer, the operation speed of the computer may be reduced. In such a case, restart the computer.
- The “Yamaha Steinberg USB Driver” is subject to change without prior notice. For details and the latest information, refer to the download page for the driver.

■ Playing back music files stored on the PC

- 1 Connect the PC to this unit, using a USB cable.**
- 2 Turn on the PC.**
- 3 Turn this unit on by pressing the STANDBY/ON/OFF switch on the front panel.**
- 4 Select “USB,” using the SOURCE key of this unit.**
- 5 Set the audio output destination of the PC to “Yamaha CD Player.”**

With Windows OS:

Control Panel → Sound → [Playback] tab

With Mac OS:

System Preferences → Sound → [Output] tab

The setting may vary, depending on the operating system. For details, consult the manufacturer of your PC.

- 6 Operate the PC to start playback of music files.**

When the music signal is fed from the PC to the unit, the sampling frequency of the file being played is indicated on the display of the unit.

■ Adjusting the sound volume

To obtain higher sound quality, set the sound volume at the PC to the maximum, and gradually increase the volume at the amplifier from the minimum to your desired level.

Notes

- Do not disconnect the USB cable, turn off the unit, or change the input with the SOURCE key while playback on a PC connected via the USB cable is in progress. Doing so may cause a malfunction.
- To mute operation sounds of the PC during music playback, change the setting on the PC.
- If music files cannot be played correctly, restart the computer and perform the mentioned procedure again.
- The music files stored on a PC cannot be controlled from this unit or the remote control of this unit. Operate them on the PC.

CD-S3000 Specifications

In this section, you will find technical specifications for CD-S3000.



Specifications

AUDIO SECTION

- Frequency Response (1 kHz, 0 dB)
 - SA-CD 2 Hz to 50 kHz (–3 dB)
 - CD 2 Hz to 20 kHz
- Playback Frequency Range 2 Hz to 96 kHz
- Harmonic Distortion (1 kHz, 0 dB)
 - SA-CD 0.002% or less
 - CD 0.002% or less
- Signal to Noise Ratio (IHF-A Network) (1 kHz, 0 dB)
 - SA-CD/CD 116 dB or more
- Dynamic Range (1 kHz, 0 dB)
 - SA-CD 110 dB or more
 - CD 100 dB or more
- Output Level (1 kHz, 0 dB)
 - SA-CD/CD 2.0 ± 0.3 V

LASER DIODE PROPERTIES

- Wavelength
 - SA-CD 655 nm
 - CD 790 nm
- Output Power
 - SA-CD 1.89 mW (max)
 - CD 1.36 mW (max)

INPUT/OUTPUT SECTION

- Digital Input (DIGITAL IN)
 - USB (Type B) × 1 USB 2.0 compliant
 - OPTICAL × 1
 - COAXIAL × 1
 - Support audio sample rate 44.1/48/88.2/96/176.4/192 kHz
 - Word depths 16 bit/24 bit
- Digital Output (DIGITAL OUT)
 - OPTICAL × 1
 - COAXIAL × 1
 - Support audio sample rate 44.1/48/88.2/96/176.4/192 kHz
 - Word depths 16 bit/24 bit
- Audio Output
 - ANALOG OUT Unbalanced × 2 ch (L/R)
 - BALANCED OUT Balanced × 2 ch (L/R)
- Remote Input/Output
 - REMOTE IN
 - REMOTE OUT
- System Connector
 - SYSTEM CONNECTOR

GENERAL

- Power Supply
 - [China, Korea, Asia, Australia, U.K. and Europe models]
 - AC 220 – 240 V, 50/60 Hz
 - [U.S.A., Canada and Taiwan models]
 - AC 110 – 120 V, 50/60 Hz
 - Power Consumption 30 W
 - Standby Power Consumption (reference data) 0.3 W
 - Dimensions (W × H × D) 435 × 142 × 440 mm
(17-1/8" × 5-5/8" × 17-3/8")
 - Weight 19.2 kg (42.3 lbs)
- * Specifications are subject to change without notice.

Taking care of this unit

Polish finish on the side panels

Use of Yamaha Unicon cloth (sold separately) is recommended. For heavy dirt, use Yamaha Piano Unicon (sold separately). For purchasing, contact your nearest authorized Yamaha dealer or service center.

Other finish

When you wipe this unit, do not use chemical solvents (alcohol, thinner, etc.), which might damage the finish. Use a clean, dry cloth. For heavy dirt, dampen a soft cloth in detergent diluted with water, wring it out, and clean this unit with the cloth.

Supported disc types

This unit is designed to play back compact discs bearing the marks shown below. Never attempt to load any other types of discs into this unit. This unit can also play back 8-cm (3-inch) compact discs.

Super Audio CD

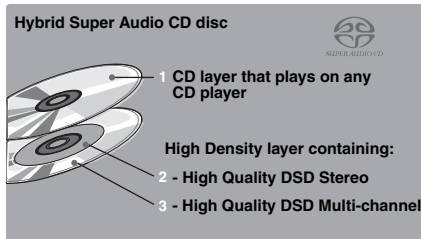
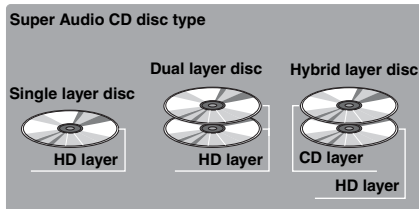


SUPER AUDIO CD

Audio format based upon the current CD standards but includes a greater amount of information that provides higher quality sound. There are three types of discs: single layer, dual layer and hybrid discs. The hybrid disc can be played on existing CD players as well as Super Audio CD players since it contains both standard audio CD and Super Audio CD information.

Note

This unit does not show text data on the front panel display.



Compact discs (digital audio)



The most popular discs for commercially available audio CDs.

CD-R, CD-RW digital audio discs



Music CDs made by copying onto a CD-R or CD-RW (including MP3 or WMA format files).

Notes

- Be sure to use a CD-R or CD-RW disc made by a reliable manufacturer.
- Be sure to use a CD-R or CD-RW disc which has at least one of the following phrases on the disc or disc case.
 - FOR CONSUMER
 - FOR CONSUMER USE
 - FOR MUSIC USE ONLY
- Be sure to use a finalized CD-R or CD-RW disc.

CD-TEXT discs



The discs recorded with text data such as album titles, track titles, and artist names. These discs can be played back with ordinary CD players.

Note

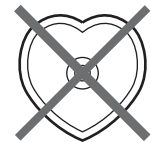
This unit does not show text data on the front panel display.

NOTE:

This unit may not be able to play back some CD-RW discs or discs on which recording was not made correctly.

To prevent a malfunction of this unit:

- Do not use any nonstandard shaped disc (heart, etc.) available in the market as it might damage this unit.
- Do not use a disc with tape, seals, or paste on it. Such a disc may get stuck in this unit or cause damage to this unit.



Playable disc format

■ About MP3 and WMA discs

You can play back MP3 and WMA files recorded on a CD-R or CD-RW with similar uses as a music CD.

MP3

MP3 (MPEG-1 Audio Layer-3) is a standard technology and format for compressing an audio sequence into a small-sized file. However, the original level of sound quality is preserved during playback.

Notes

- This unit plays back MP3 files in alphanumeric order.
- Up to 648 folders and files (combined) and up to 299 folders are recognized; however, some folders and files may not be recognized depending on their directory structure.
- Depending on recording conditions such as recording software settings, this unit may not be able to play back the disc or files in the order they were recorded.
- This unit is compatible with a sampling frequency of 44.1 kHz.
- This unit is compatible with a bitrate of 32, 40, 48, 56, 64, 80, 96, 112, 128, 160, 192, 224, 256, or 320 kbps. Variable bitrate is not supported.
- The disc must be ISO9660 compatible.
- The text data contained in the files are not displayed on this unit.

WMA

WMA (Windows Media Audio) is a Microsoft file format for encoding digital audio files similar to MP3 although WMA can compress files at a higher rate than MP3.

Notes

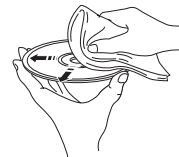
- This unit plays back WMA files in alphanumeric order.
- Up to 648 folders and files (combined) and up to 299 folders are recognized; however, some folders and files may not be recognized depending on their directory structure.
- This unit is compatible with a sampling frequency of 44.1 kHz.
- This unit is compatible with a bitrate of 48, 64, 80, 96, 128, 160, or 192 kbps. Variable bitrate is not supported.
- The disc must be ISO9660 compatible.
- Copyright-protected WMA files cannot be played back with this unit.
- The text data contained in the files are not displayed on this unit.

■ Handling compact discs

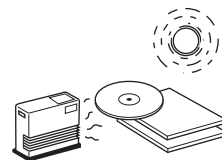
- Always handle a disc with care so that its surface is not scratched.



- Compact discs are rarely worn out during playback, but damage to the disc surface when the disc is being handled can adversely affect the disc playback.
- Be sure to use a felt-tip pen or similar writing tool when writing on the label side of a disc. Do not use a ball-point pen, pencil, or other hard-tipped writing tools as these may damage the disc and may adversely affect the disc playback.
- Do not warp discs.
- When a disc is not currently being used, remove it from this unit and store it in an appropriate case.
- When removing or storing a disc, be careful not to scratch the playing surface.
- Compact discs are not affected by small particles of dust or fingerprints on their playing surface, but even so they must be kept clean. Wipe the disc surface with a clean, dry cloth. Do not wipe the disc surface with a circular motion; wipe it straight outward from the center.



- Do not try to clean the disc surface with any type of disc cleaner, record spray, anti-static spray or liquid, or any other chemical-based liquid as such substances may irreparably damage the disc surface.
- Do not expose discs to direct sunlight, high temperature, or high humidity for a long period of time as these conditions may warp or otherwise damage the disc.



- To play back an 8-cm (3-inch) compact disc, place it in the inner recessed area of the disc tray. Do not put a normal 12-cm CD on top of an 8-cm CD.

Troubleshooting

Refer to the chart below if this unit does not function properly. If the problem you are experiencing is not listed below or if the instructions below do not help, turn off this unit, disconnect the power cable, and contact the nearest authorized Yamaha dealer or service center.

Problem	Cause	Remedy	See page
The unit does not switch ON when STANDBY/ON/OFF is pressed upward.	The power cable is not connected nor completely connected.	Securely connect the power cable.	20
This unit automatically goes to STANDBY mode.	The automatic standby function is activated.	If the unit is not operated for 30 minutes with no audio signal detected, it automatically goes to STANDBY mode.	6
The disc tray does not close completely.	A foreign object is obstructing the tray.	Carefully check the disc tray and remove the foreign object.	—
Playback does not start.	The disc is damaged.	Check the disc carefully; replace it if necessary.	—
	There is moisture on the laser pickup.	Wait 20 to 30 minutes after switching the unit ON before trying to play back a disc.	—
	The disc is loaded upside down.	Reload the disc with the label side up.	—
	The disc is dirty.	Clean the disc.	28
	The MP3 or WMA formats are not compatible with this unit.	Replace the disc with a correctly recorded disc playable with this unit.	28
	The CD-RW (ReWritable) disc is not recorded correctly.	Replace the disc with a correctly recorded disc playable with this unit.	27
	The disc is a non-standard disc not playable with this unit.	Replace the disc with a correctly recorded disc playable with this unit.	27
Playback is delayed, or begins at the wrong place.	The disc may be scratched or damaged.	Check the disc carefully; replace it if necessary.	28
No sound.	Improper output cable connections.	Connect the cables properly. If the problem persists, the cables may be defective.	18
	Improper amplifier operation.	Set the amplifier controls to the correct input selection.	—
No playback sound from the component connected to the digital input jacks.	The unit is in PURE DIRECT mode.	Turn off PURE DIRECT mode.	7
	The Super Audio CD layer is being played.	Change the layer for playback.	7
Sound “skips.”	This unit is being subjected to vibrations or impacts.	Relocate this unit.	—
	The disc is dirty.	Clean the disc.	28
	The clock of the playback audio signal is fluctuated.	Change the DPLL bandwidth of the audio DAC (ES9018).	14
Sound “hums.”	Improper cable connections.	Securely connect the audio cables. If the problem persists, the cables may be defective.	18

Troubleshooting

Problem	Cause	Remedy	See page
Noise from a nearby tuner.	The tuner is too close to this unit.	Move the tuner and this unit farther apart.	—
Noise from inside of the disc tray.	The disc may be warped.	Replace the disc.	28
No sound from the component connected to the DIGITAL IN (OPTICAL or COAXIAL) jack.	The output audio source setting on the connected component is not "PCM."	Only PCM audio sources can be played via the DIGITAL IN (OPTICAL/COAXIAL) jacks of this unit. Set the output audio source of the connected component to "PCM."	—
The remote control does not work.	The batteries of the remote control are too weak.	Replace the batteries with new ones.	16
	Remote control is too far away or tilted too much.	Use within 6 m and 60° radius.	9
	Direct sunlight or lighting (of an inverter type fluorescent lamp etc.) is striking the remote control sensor of this unit.	Reposition this unit.	9

■ On USB connection

Problem	Cause	Remedy	See page
The connected PC does not recognize this unit.	The operating system of the PC is not supported.	Use a PC with an operation-guaranteed operating system.	22
	Improper USB cable connection	Connect the USB cable properly.	19, 22
	The output of the PC or application is muted.	Cancel the sound muting of the PC or application.	—
Noisy playback.	Another application is launched on the PC while a music file is being played.	If another application is launched while a music file is being played, sound may be momentarily lost or noise may be generated. Do not launch other applications during playback.	—
Music files cannot be played.	The music data are not properly reproduced, because this unit is connected to the PC or the input of this unit is switched to "USB" while the music application is running on the PC.	Connect this unit to the PC and set the input of the unit to "USB" in advance. Then launch the music application and start playback.	23
	The dedicated "Yamaha Steinberg USB Driver" has not been installed correctly.	Install the "Yamaha Steinberg USB Driver" again, following the correct procedure.	22

■ Messages on the information display

Message	Status
NO DISC	No disc is set on the disc tray.
Check Cable	The dedicated “Yamaha Steinberg USB Driver” has not been installed correctly. Or, the audio output of the computer has not been set to “Yamaha CD Player.”
Check PC	The audio signal from the computer cannot be recognized.
Fs: ----kHz	No audio signal is recognized.

Faire vivre la tradition du son

Un piano vient au monde grâce à la synergie parfaite entre une expertise technique avancée et des talents artistiques. Un tel piano peut créer un son qui reflète vraiment les sentiments de l'interprète.

L'étape finale de la production d'un piano est appelée « harmonisation ». C'est à ce moment-là que l'on donne son âme à l'instrument.

Un expert hautement qualifié concentre son esprit et sa sensibilité sur le son de chaque touche, en ajustant avec finesse la sensation dynamique des marteaux et en harmonisant parfaitement la tonalité et la vibration de l'ensemble des 88 touches. C'est une réalisation vraiment exceptionnelle.

Seule une oreille sensible et fine peut déterminer une telle qualité sonore. Nous appliquons ce même concept à la fabrication de nos produits audio. Le technicien effectue des tests d'écoute approfondis et chaque composant est étudié avant d'obtenir finalement le son idéal.

La tradition de la qualité audio de Yamaha remonte à plus de 125 ans et est toujours présente dans l'ensemble des produits Yamaha actuels.



L'excellence dans l'accomplissement audio

1920-
1960s

Premier Système Hi-Fi introduit en 1920

Nous avons introduit de nombreux composants Hi-Fi (tourne-disques, tuners FM/AM, amplificateurs intégrés, préamplis, amplificateurs de puissance et enceintes) en 1955 – 1965.

Commercialisation de la série d'enceintes Natural Sound en 1967

Enceinte de contrôle NS-20



NS-20



CA-1000

1970s

Amplificateur intégré CA-1000

Faisant partie des appareils de Classe A, le CA-1000 est devenu la norme pour les amplificateurs intégrés.

Enceinte Natural Sound NS-690



NS-690



NS-1000M

Enceinte de contrôle NS-1000M

Une enceinte véritablement légendaire, toujours vénérée par les passionnés de Hi-Fi.

Amplificateur de puissance B-1

Un ampli innovant utilisant des transistors FET à tous les étages.



B-1



C-2

Amplificateur de commande C-2

A reçu le premier prix au Salon International de la Musique et de la Hi-Fi de Milan.

Enceinte de contrôle pour studio NS-10M

Devenue l'une des enceintes de studio les plus populaires au monde.



PX-2



NS-10M

Amplificateur intégré A-1

Tourne-disque PX-2

Premier tourne-disque à bras droit de Yamaha.



A-1

1980s

Amplificateur de puissance B-6

Amplificateur de puissance pyramidal.



B-6



B-2x

Tourne-disque GT-2000/L

Premier lecteur de CD (CD-1) commercialisé en 1983



MX-10000



CX-10000

Amplificateur de puissance B-2x

Amplificateur de puissance MX-10000 et

Amplificateur de commande CX-10000

Ont redéfini les fonctionnalités des composants séparés.

Amplificateur intégré AX-1



A-S2000

1990s

Lecteur de CD GT-CD1

Amplificateur de puissance MX-1 et préamplificateur CX-1



Soavo-1



CD-S2000

2000s

Systèmes d'enceintes Soavo-1 et Soavo-2 Natural Sound

Amplificateur stéréo A-S2000 et lecteur de CD Super Audio CD-S2000

2010s

Lecteur réseau NP-S2000



NP-S2000

CD-S3000

- ◆ *Transmission symétrique du signal sur tous les étages à partir du convertisseur N/A pour une reproduction exceptionnelle des CD*
- ◆ *Sources d'alimentation indépendantes avec numérique et analogique complètement séparés*
- ◆ *Mécanisme de chargement exclusif de Yamaha et lecteur de CD haute précision*
- ◆ *Conception symétrique gauche-droite avec construction rigide et stable*
- ◆ *Son direct pur*
- ◆ *Son des CD Super Audio extraordinaire*
- ◆ *Pieds robustes dotés de nouvelles pointes antivibratoires*
- ◆ *Lecture DSD via un convertisseur N/A USB 192 kHz, 24 bits*

■ Accessoires fournis

Veillez vous assurer que tous les articles suivants vous ont bien été fournis.

- Câble d'alimentation
- Boîtier de télécommande
- Piles (AAA, R03, UM-4) (×2)
- Câble stéréo à fiche cinch
- BROCHURE SUR LA SÉCURITÉ

Table des matières

Commandes et fonctions.....	6
Raccordements	18
Lecture des fichiers musicaux stockés sur un PC	22
Caractéristiques techniques	26
Formats de disque lisibles.....	27
Guide de dépannage.....	29

■ À propos de ce manuel

- Le symbole ☞ appelle votre attention sur un conseil d'utilisation.
- La couleur des images dans ce manuel peut être différente de l'original.
- Avant d'utiliser cet appareil, veuillez lire la « BROCHURE SUR LA SÉCURITÉ ».

CD-S3000

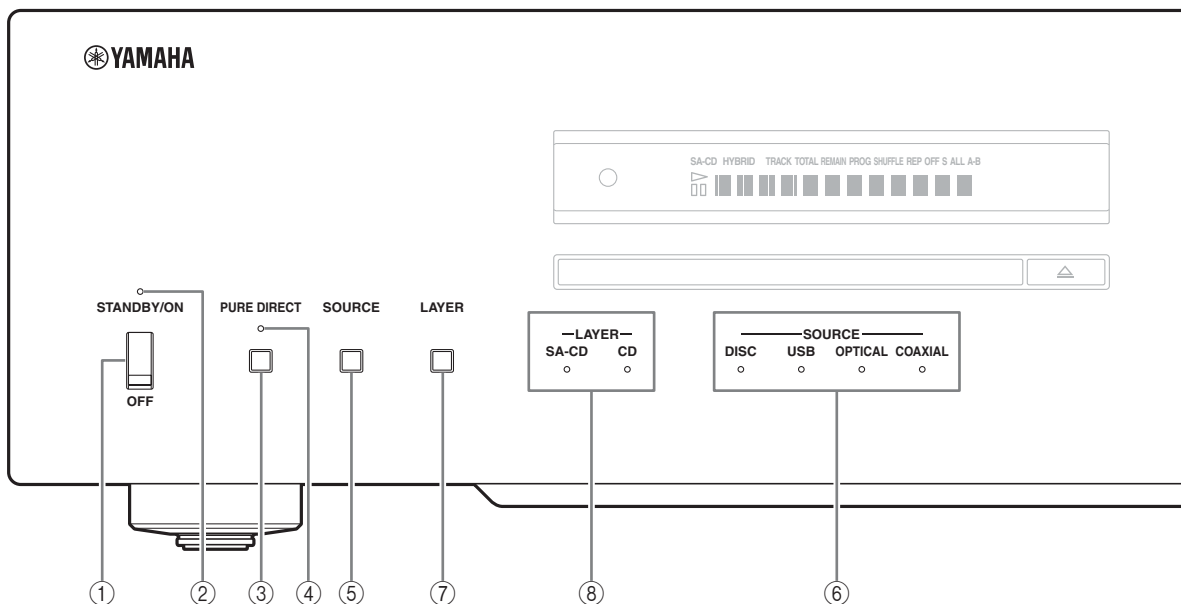
Commandes et fonctions

Ce chapitre décrit les commandes et fonctions du CD-S3000.



Commandes et fonctions

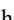
■ Panneau avant (pages 6 à 9)



① Commutateur STANDBY/ON/OFF

Mettez l'appareil sous tension ou hors tension.

STANDBY/ON (position supérieure) :

Dans cette position, vous pouvez sélectionner STANDBY ou ON, à l'aide de la touche  CD du boîtier de télécommande.

OFF (position inférieure) :


L'appareil est hors service.

Remarques


- Lorsque vous mettez l'appareil sous tension, celui-ci met quelques secondes à reproduire le son.
- Si cet appareil n'est pas utilisé pendant 30 minutes sans signal audio détecté, il passe en mode STANDBY (page 15).
- Si vous débranchez le câble d'alimentation secteur de la prise secteur et le rebranchez lorsque cet appareil est en mode STANDBY, l'appareil est mis sous tension (page 20). Si l'appareil n'est pas utilisé pendant une période prolongée, réglez le commutateur STANDBY/ON/OFF sur OFF.

② Témoin STANDBY/ON

Fortement allumé :

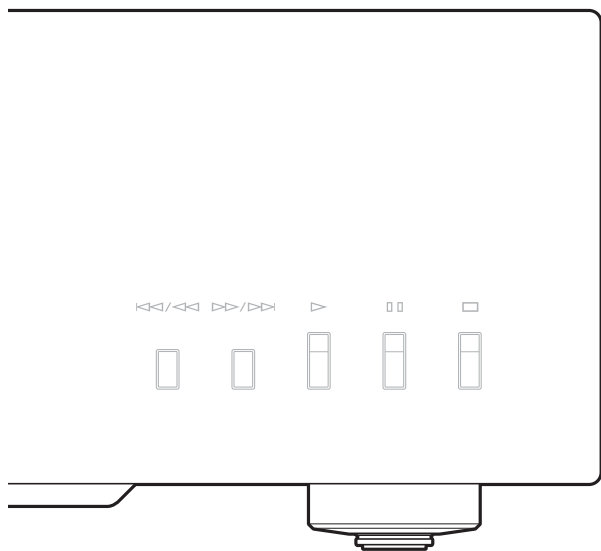
Indique que l'appareil est sous tension. Dans cette condition, vous pouvez mettre l'appareil en mode STANDBY à l'aide de la touche  CD du boîtier de télécommande.

Faiblement allumé :

Indique que l'appareil est en mode STANDBY. Dans cette condition, appuyez sur la touche  CD du boîtier de télécommande pour mettre l'appareil sous tension.

Éteint :

Indique que l'appareil est hors tension (OFF). Dans cette condition, vous pouvez mettre l'appareil sous tension à l'aide du commutateur STANDBY/ON/OFF uniquement.



③ Touche PURE DIRECT

Met en service le mode PURE DIRECT pour améliorer la qualité du son.

Lorsque cet appareil est en mode PURE DIRECT :

- Aucun signal n'est émis par les prises DIGITAL OUT (OPTICAL et COAXIAL) du panneau arrière de l'appareil (page 10).
- Les témoins et messages apparaissent sur l'afficheur du panneau avant.



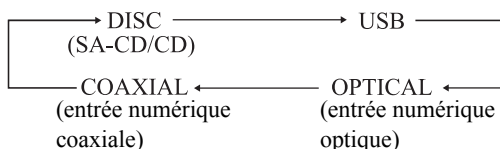
- Appuyez une nouvelle fois sur cette touche pour mettre le mode PURE DIRECT hors service.
- Ce réglage est retenu en mémoire même à la mise hors tension de l'appareil.

④ Témoin PURE DIRECT

S'allume lorsque le mode PURE DIRECT est en service.

⑤ Touche SOURCE

Sélectionne la source audio à lire. À chaque pression de cette touche, la source audio change.



Le réglage de la source audio est retenu en mémoire même à la mise hors tension de l'appareil.

⑥ Témoins SOURCE

Le témoin de la source audio sélectionnée avec la touche SOURCE s'allume.

⑦ Touche LAYER

Sélectionne la couche de lecture SA-CD ou CD d'un CD Super Audio hybride pendant l'arrêt de la lecture (page 27).



Ce réglage est retenu en mémoire même à la mise hors tension de l'appareil.

Remarque

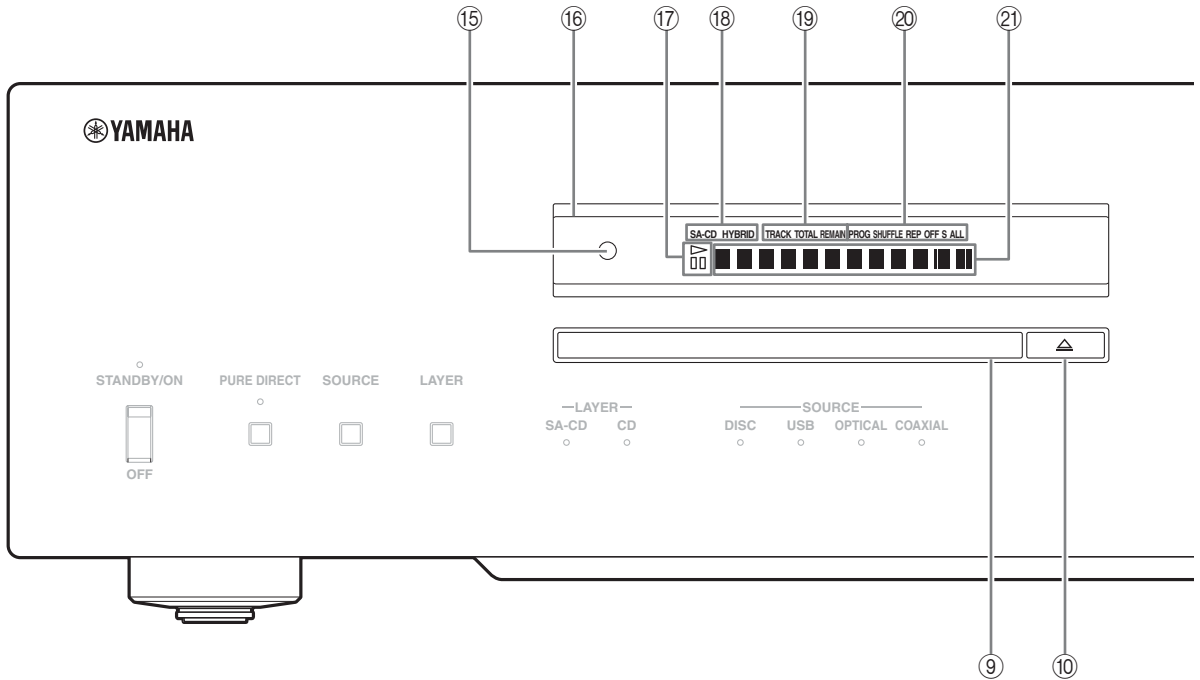
Lorsque la couche SA-CD est sélectionnée, les signaux audio sont uniquement émis par les prises BALANCED OUT et ANALOG OUT.

⑧ Témoins LAYER

Le témoin de la couche sélectionnée avec la touche LAYER s'allume.

Commandes et fonctions

■ Panneau avant (pages 6 à 9)



⑨ Tiroir de disque

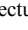
Pour insérer un disque.

⑩ Touche (Ouverture/Fermeture)

Cette touche ouvre ou ferme le tiroir de disque.



Le tiroir de disque se ferme automatiquement lorsque vous appuyez sur :

- la touche  (Lecture) du panneau avant ou du boîtier de télécommande.
- le bord avant du tiroir de disque délicatement.
- une touche numérique du boîtier de télécommande.

⑪ Touche (Saut/Recherche arrière)

Appuyez une fois sur cette touche pour revenir au début de la plage actuelle.

Appuyez deux fois sur cette touche pour passer au début de la plage précédente.

Appuyez en continu sur celle-ci pour effectuer une recherche vers l'arrière.

Touche (Saut/Recherche avant)

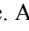
Appuyez une fois sur cette touche pour passer à la plage suivante.

Appuyez en continu sur celle-ci pour effectuer une recherche vers l'avant.

⑫ Touche (Lecture)

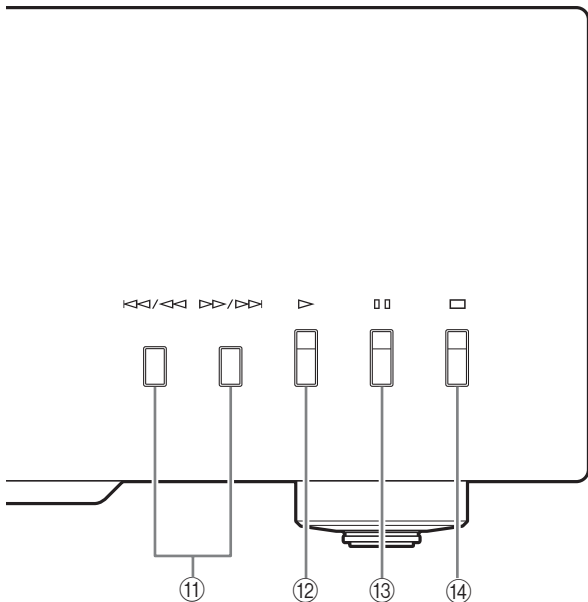
Démarre la lecture.

⑬ Touche (Pause)

Met la lecture en pause. Appuyez sur la touche  pour poursuivre la lecture.

⑭ Touche (Stop)

Arrête la lecture.



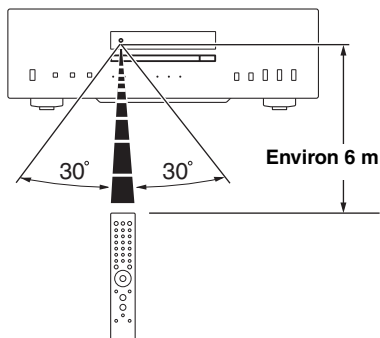
⑮ Capteur de télécommande

Il reçoit les signaux émis par le boîtier de télécommande.



Le boîtier de télécommande émet un faisceau infrarouge bidirectionnel.

Veillez à le pointer directement sur le capteur de télécommande de l'appareil pour en assurer le fonctionnement.



⑯ Affichage

Il est possible de régler la luminosité avec la touche DIMMER du boîtier de télécommande (page 12).

⑰ Témoin ▷ (Lecture) / □□ (Pause)

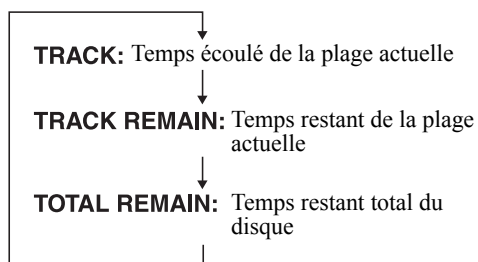
S'allume en mode de lecture/pause.

⑱ Témoin du type de disque

Indique le type (SA-CD/CD/HYBRID) de disque se trouvant dans le tiroir.

⑲ Témoin du mode d'affichage du temps

Indique le mode d'affichage du temps de l'affichage. Changez de mode en appuyant sur la touche DISPLAY du boîtier de télécommande (page 12).



⑳ Témoin du mode de lecture

Indique le mode de lecture actuel.

PROG : lecture de programme (page 14)

SHUFFLE : lecture aléatoire (page 12)

REP OFF : annulation de la répétition (page 12)

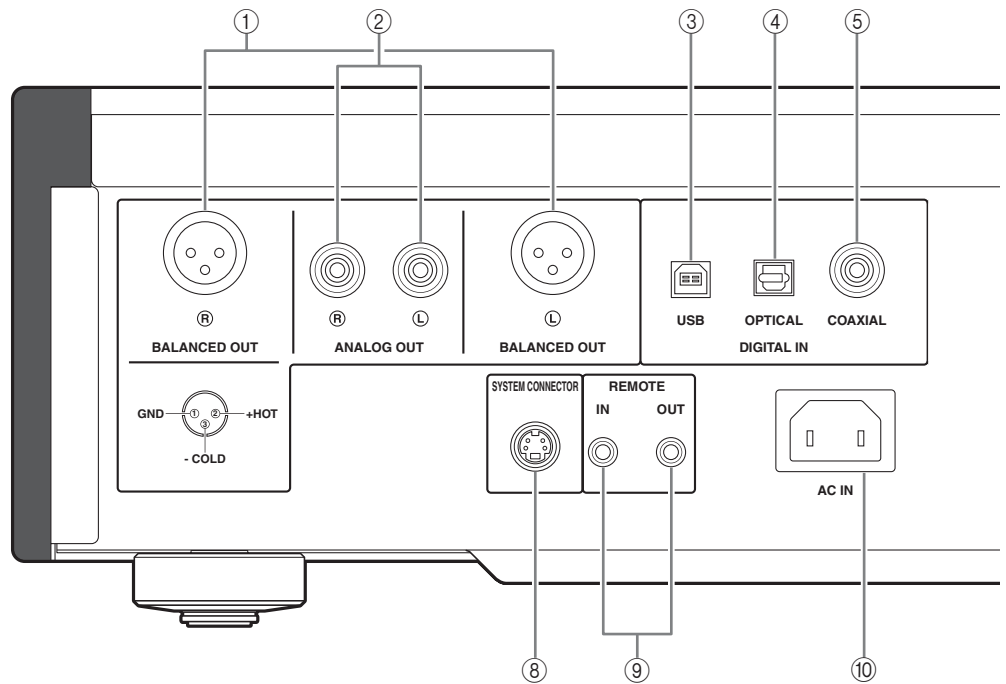
REP S : répétition d'une plage (page 12)

REP ALL : répétition de toutes les plages (page 12)

㉑ Affichage des informations

Voir page 28 pour un complément d'informations sur la lecture de MP3/WMA.

■ Panneau arrière



Voir page 18 en ce qui concerne les raccordements.

- ① Prises **BALANCED OUT** (mâles)
- ② Prises **ANALOG OUT**
- ③ Prise **DIGITAL IN USB (type B)**
- ④ Prise **DIGITAL IN OPTICAL**
- ⑤ Prise **DIGITAL IN COAXIAL**
- ⑥ Prise **DIGITAL OUT OPTICAL**
- ⑦ Prise **DIGITAL OUT COAXIAL**

Remarque

Pendant la lecture de la couche du CD Super Audio, les signaux audio sont émis uniquement par les prises **BALANCED OUT** et **ANALOG OUT**.

⑧ **SYSTEM CONNECTOR**

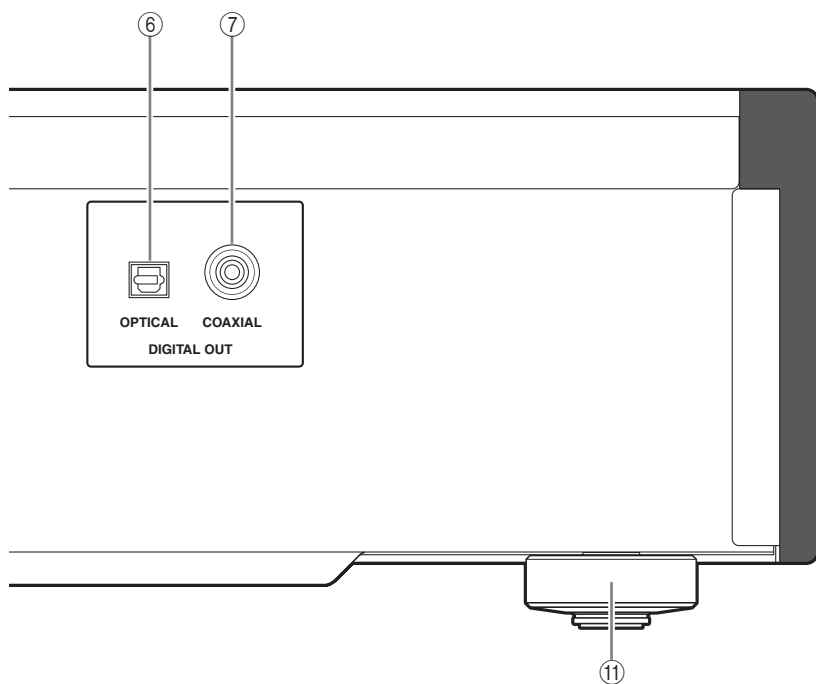
Utilisez ce connecteur pour brancher un dispositif de test de produits pour l'entretien.

⑨ **Prises REMOTE IN/OUT**

Utilisez ces prises afin de raccorder un composant externe pour une utilisation à distance. Pour plus de détails sur le raccordement, voir page 21.

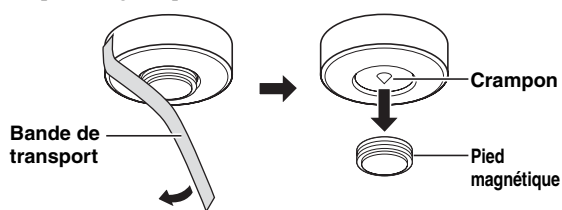
⑩ **Prise AC IN**

Utilisez cette prise pour brancher le câble d'alimentation secteur fourni. Voir page 20 en ce qui concerne les raccordements.



⑪ Pied

Les pieds de cet appareil sont pourvus de crampons. Utilisez ces crampons pour réduire l'effet des vibrations sur l'appareil. Lorsque vous utilisez les crampons, retirez la bande de transport, puis ôtez le pied magnétique en tirant sur celui-ci.



Avertissement

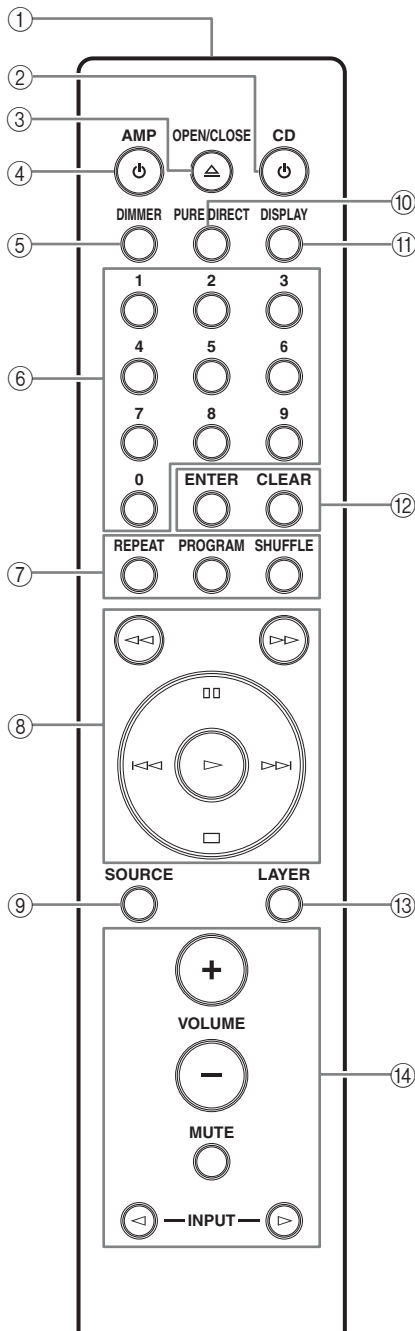
Les crampons des pieds peuvent rayer l'étagère ou la surface où vous installez cet appareil lorsque vous les utilisez. Utilisez les pieds magnétiques ou des supports appropriés pour placer cet appareil sur des meubles de valeur, etc.



Si l'appareil n'est pas stable, vous pouvez ajuster la hauteur d'un pied en le tournant.

Commandes et fonctions

■ Boîtier de télécommande



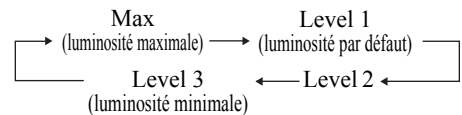
- ① **Émetteur de signal infrarouge**
Envoie les signaux infrarouges à cet appareil.
- ② **Touche ⏻ CD**
Met cet appareil sous tension ou le bascule en mode STANDBY.
Pour plus de détails sur le mode STANDBY, voir « Panneau avant » (page 6).

- ③ **Touche \triangle OPEN/CLOSE**
Cette touche ouvre ou ferme le tiroir de disque.
- ④ **Touche ⏻ AMP**
Met l'amplificateur Yamaha sous tension ou le bascule en mode STANDBY.

Remarque

Certains amplificateurs Yamaha ne peuvent pas être commandés par la touche ⏻ AMP de ce boîtier de télécommande.

- ⑤ **Touche DIMMER**
Sélectionne le niveau de luminosité de l'afficheur du panneau avant. Chaque fois que vous appuyez sur la touche DIMMER, le niveau de luminosité change de la façon suivante :



Ce réglage est retenu en mémoire même à la mise hors tension de l'appareil.

- ⑥ **Pavé numérique**
Sert à sélectionner directement une plage.

Remarque

Ceci n'est pas possible pour les disques MP3 ou WMA.

- ⑦ **Touche REPEAT**
Répète une plage ou toutes les plages. À chaque pression du doigt sur la touche REPEAT pendant la lecture, le mode de répétition change de la façon suivante :

REPEAT OFF (annulation de la répétition) :
la lecture répétée est annulée.

REP S (répétition d'une plage) : à la fin de la plage actuelle, la lecture reprend au début de cette plage.

REP ALL (répétition de toutes les plages) : à la fin de la dernière plage, la lecture reprend au début de la première plage.

Remarque

Ceci n'est pas possible pour les disques MP3 ou WMA.

Touche PROGRAM

Met en ou hors service le mode de lecture de programme. Voir « Lecture de programme » (page 14).

Touche SHUFFLE

Effectue une lecture du disque dans un ordre aléatoire (lecture aléatoire).

Remarques

- Ceci n'est pas possible pour les disques MP3 ou WMA.
- Le mode de lecture aléatoire est annulé lorsque la lecture est arrêtée ou le disque éjecté.

⑧ Touche ◀◀ (Recherche arrière)

Touche ▶▶ (Recherche avant)

Recherche des plages vers l'arrière/l'avant.

Touche □□ (Pause)

Met la lecture en pause. Appuyez sur la touche ▶ ou □□ pour poursuivre la lecture.

Touche ▶ (Lecture)

Démarre la lecture.

Touche ◀◀ (Saut arrière)

Appuyez une fois sur cette touche pour revenir au début de la plage actuelle.

Appuyez deux fois sur cette touche pour passer au début de la plage précédente.

Touche ▶▶ (Saut avant)

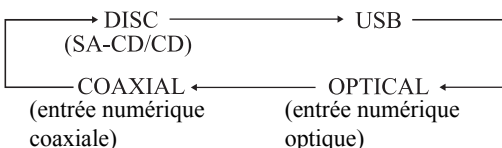
Appuyez une fois sur cette touche pour passer à la plage suivante.

Touche □ (Stop)

Arrête la lecture.

⑨ Touche SOURCE

Sélectionne la source audio à lire. À chaque pression de cette touche, la source audio change.



Le réglage de la source audio est retenu en mémoire même à la mise hors tension de l'appareil.

⑩ Touche PURE DIRECT

Met en service le mode PURE DIRECT pour améliorer la qualité du son.

Lorsque cet appareil est en mode PURE DIRECT :

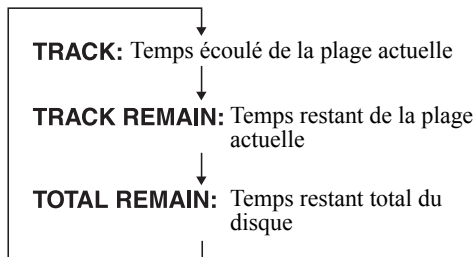
- Le témoin PURE DIRECT s'allume.
- Aucun signal n'est émis par les prises DIGITAL OUT (OPTICAL et COAXIAL) du panneau arrière de l'appareil (page 10).
- Les témoins et messages apparaissent sur l'afficheur du panneau avant.



- Appuyez une nouvelle fois sur cette touche pour mettre le mode PURE DIRECT hors service.
- Ce réglage est retenu en mémoire même à la mise hors tension de l'appareil.

⑪ Touche DISPLAY

Change l'affichage du temps. À chaque pression du doigt sur la touche DISPLAY pendant la lecture, l'affichage du temps change de la façon suivante :



⑫ Touche ENTER

Valide un numéro de plage saisi lors de la programmation de plages.

Touche CLEAR

Efface la dernière plage programmée lorsque l'appareil est en mode de programmation. Voir « Lecture de programme » (page 14).



Pour effacer toutes les plages programmées, appuyez sur la touche CLEAR lorsque la lecture programmée est arrêtée.

⑬ Touche LAYER

Sélectionne la couche de lecture SA-CD ou CD d'un CD Super Audio hybride pendant l'arrêt de la lecture (page 27).



Ce réglage est retenu en mémoire même à la mise hors tension de l'appareil.

Remarque

Lorsque la couche SA-CD est sélectionnée, les signaux audio sont uniquement émis par les prises BALANCED OUT et ANALOG OUT.

⑭ Touches de commande de l'amplificateur Yamaha

Commandent l'amplificateur Yamaha.

Reportez-vous au mode d'emploi de l'amplificateur pour le détail.

Remarque

Certains amplificateurs Yamaha ne peuvent pas être commandés par les touches de ce boîtier de télécommande.

Voir page 28 pour un complément d'informations sur la lecture de MP3/WMA.

Commandes et fonctions

■ Lecture de programme

En mode de lecture de programme, vous pouvez lire les plages dans l'ordre de votre programmation.

Remarques

- Ceci n'est pas possible pour les disques MP3 ou WMA.
- Les plages programmées sont effacées dans les cas suivants :
 - lorsque le disque est éjecté
 - lorsque cet appareil est mis hors tension ou passe en mode STANDBY
 - lorsqu'une source audio autre que le disque est sélectionnée
 - lorsque la couche de lecture d'un CD Super Audio hybride commute entre SA-CD et CD

1 Appuyez sur PROGRAM pendant l'arrêt de la lecture.

Cet appareil est mis en mode de programmation.

2 Sélectionnez une plage à l'aide du pavé numérique et appuyez sur ENTER.

3 Répétez l'étape 2 pour programmer la plage suivante.

Vous pouvez programmer en tout 24 plages.

4 Appuyez sur la touche ▷ (Lecture).

La lecture commence par la première des plages programmées.

■ Réglage de la bande passante DPLL (Digital Phased Lock Loop)

Le convertisseur N/A audio (ES9018) de cet appareil emploie le DPLL pour générer des signaux d'horloge précis synchronisés avec l'horloge du signal audio numérique d'entrée. Le réglage de la bande passante DPLL en 7 étapes indique à l'appareil la tolérance de la fluctuation de l'horloge du signal d'entrée numérique et le réglage de la précision de l'horloge de fonctionnement dans le convertisseur N/A.

1 Appuyez sur SOURCE pour sélectionner la source audio que vous souhaitez lire.

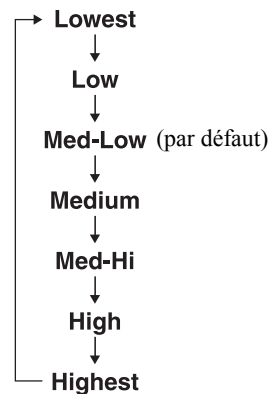
Il est possible de régler la largeur de bande DPLL respectivement pour chaque source audio.

2 Dans les 5 secondes qui suivent la sélection de la source audio, appuyez sur ENTER.

L'appareil entre en mode de réglage, et la largeur de bande DPLL actuellement sélectionnée apparaît sur l'affichage des informations.

3 Sélectionnez la bande passante DPLL à l'aide de la touche □ □ (Pause) et de la touche □ (Stop).

À chaque pression sur la touche □ □ (Pause), la bande passante varie dans l'ordre suivant. Si vous appuyez sur la touche □ (Stop), elle varie dans l'ordre inverse.



4 Appuyez sur ENTER.

La valeur de réglage clignote pendant 3 secondes, puis l'appareil revient au mode normal.

Pour annuler le réglage, appuyez sur CLEAR.

Remarques

- Comme la valeur de réglage de la bande passante DPLL s'approche de « Lowest », la précision de l'horloge de fonctionnement dans le convertisseur N/A s'améliore, mais l'appareil est sensible aux changements dans l'horloge du composant extérieur. Il se peut que le son d'un tel composant saute plus facilement.
- Comme la valeur de réglage de la bande passante DPLL s'approche de « Highest », la précision de l'horloge de fonctionnement dans le convertisseur N/A se détériore, mais l'appareil est bien moins sensible aux changements dans l'horloge du composant extérieur, et le son de ce composant saute à peine.

■ Réglage de la fonction AUTO POWER STANDBY

La fonction AUTO POWER STANDBY peut être activée ou désactivée. Lorsqu'elle est activée, si l'appareil n'est pas utilisé pendant 30 minutes sans signal audio détecté, il passe automatiquement en mode STANDBY. Lorsqu'elle est désactivée, l'appareil ne passe pas automatiquement en mode STANDBY.

1 Ouvrez le tiroir de disque et retirez de l'appareil tous les disques qui y sont insérés.

Sautez les étapes 1 à 3 si « NO DISC » apparaît sur l'affichage des informations.

2 Fermez le tiroir de disque.

3 Appuyez sur SOURCE pour sélectionner la source audio « DISC ».

« NO DISC » apparaît sur l'affichage des informations.

4 Appuyez en continu sur la touche □ (Stop) ou sur la touche ▷ (Lecture) du panneau avant pendant environ 2 secondes pour changer de réglage.

Touche □ (Stop) : La fonction AUTO POWER STANDBY s'active et « AutoSTBY ON » apparaît sur l'affichage des informations.

Touche ▷ (Lecture) : La fonction AUTO POWER STANDBY se désactive et « AutoSTBY OFF » apparaît sur l'affichage des informations.

Remarques

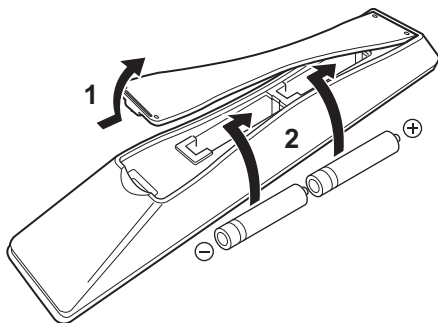
- La fonction AUTO POWER STANDBY est activée par défaut.
- Ce réglage est retenu en mémoire même à la mise hors tension de l'appareil.

Commandes et fonctions

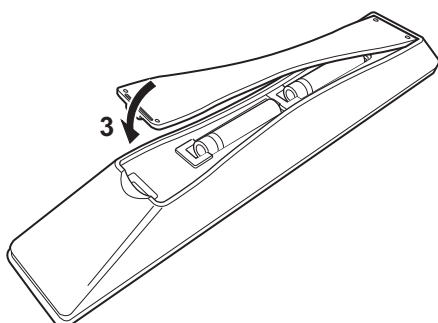
■ Mise en place des piles dans le boîtier de télécommande

1 Retirez le couvercle du logement des piles.

2 Insérez les deux piles (AAA, R03, UM-4) en suivant les repères de polarité (+ et -) à l'intérieur du logement des piles.



3 Remplacez le couvercle du logement des piles.

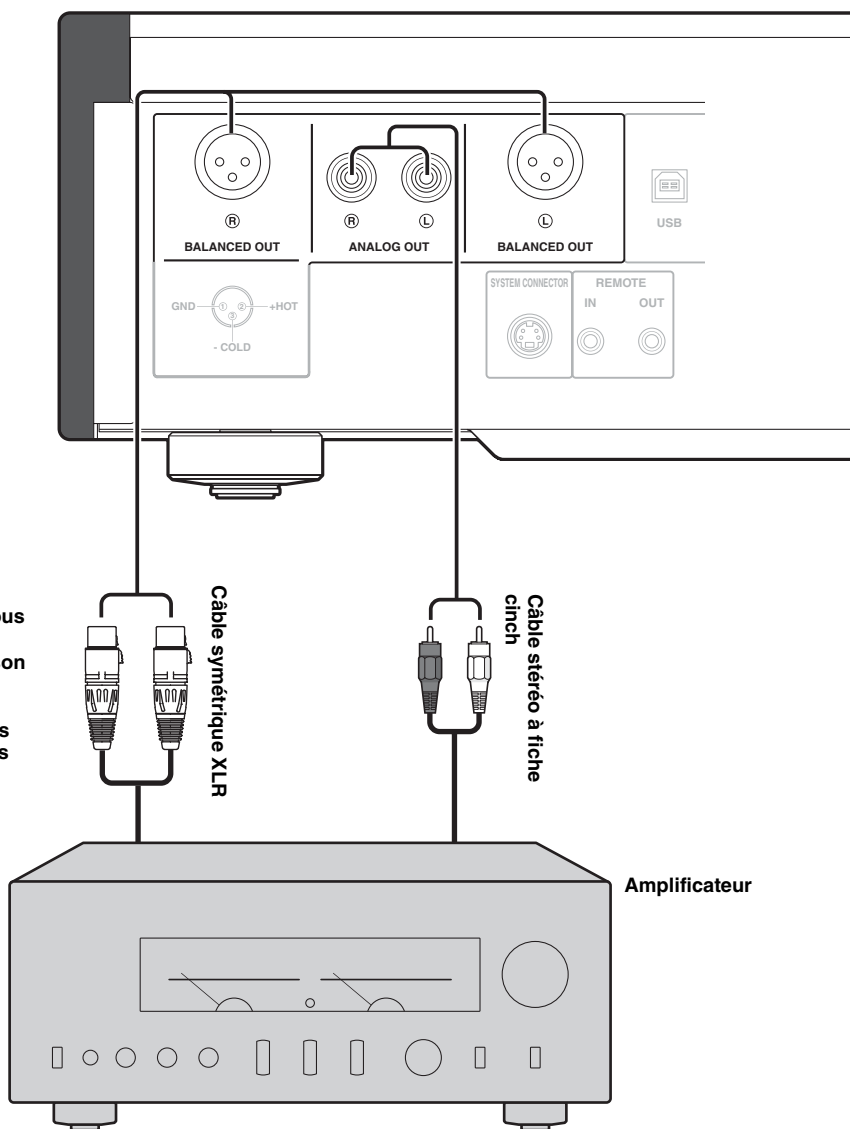




CD-S3000 **Raccordements**

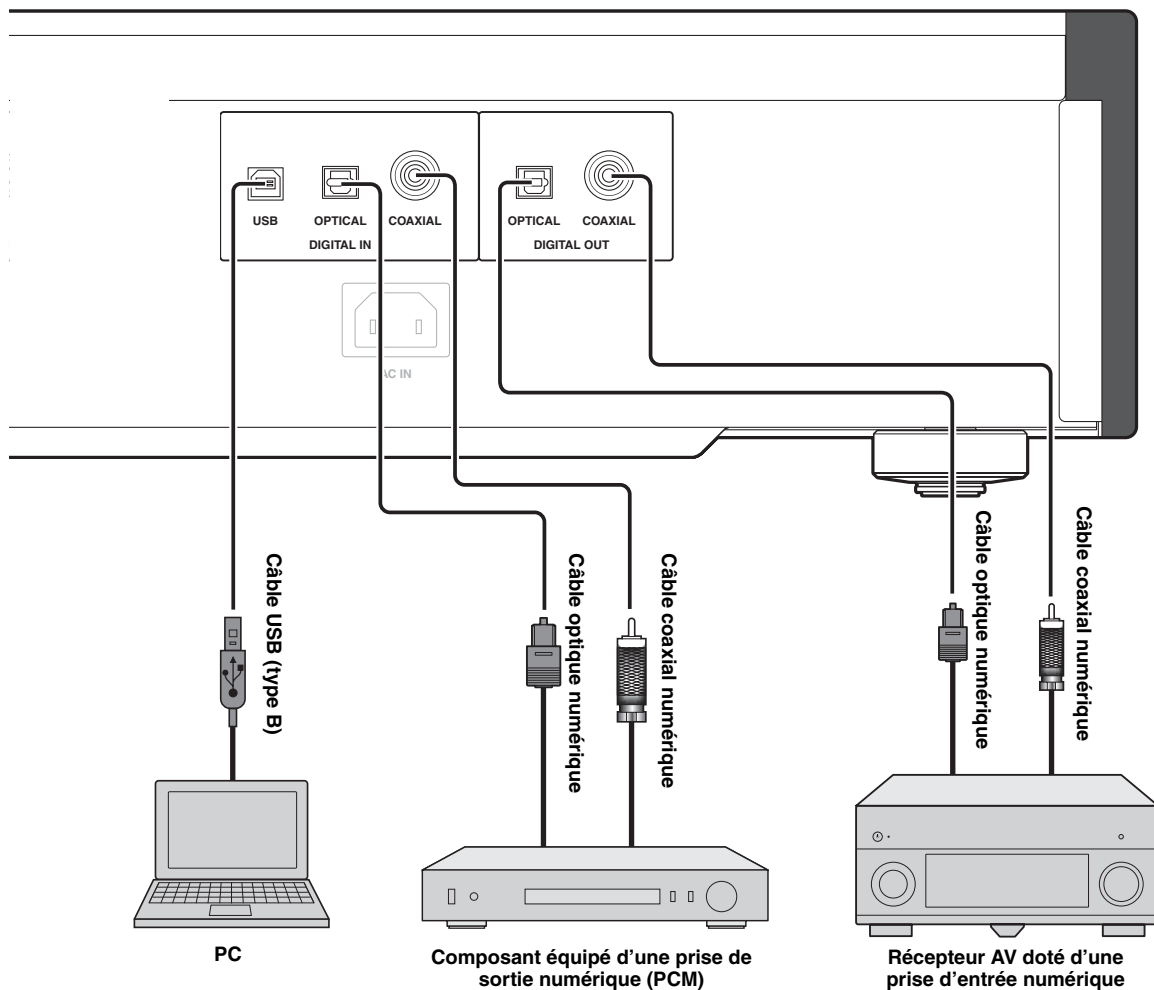
Dans cette section, vous allez raccorder le CD-S3000 à votre amplificateur.

Raccordements



Si votre amplificateur est muni de prises d'entrée symétriques XLR, nous vous conseillons le raccordement symétrique pour obtenir le meilleur son possible.

Lorsque la couche SA-CD est lue, les signaux audio sont uniquement émis par les prises BALANCED OUT et ANALOG OUT.



Remarque

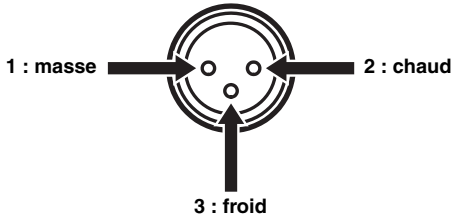
Seuls les signaux PCM peuvent être transmis aux prises DIGITAL IN (OPTICAL/COAXIAL) de cet appareil.

Pour plus de détails sur les signaux PCM pris en charge, voir page 26.

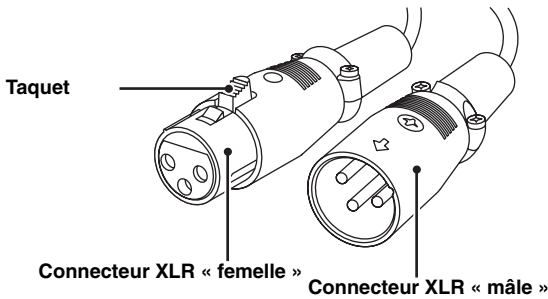
Raccordements

■ Raccordement aux prises BALANCED OUT

Raccordez votre amplificateur aux prises d'entrée symétriques XLR. Les broches se répartissent de la façon suivante pour ces prises. Reportez-vous au mode d'emploi fourni avec votre amplificateur et vérifiez que les prises d'entrée symétriques XLR sont compatibles avec cette répartition des broches.

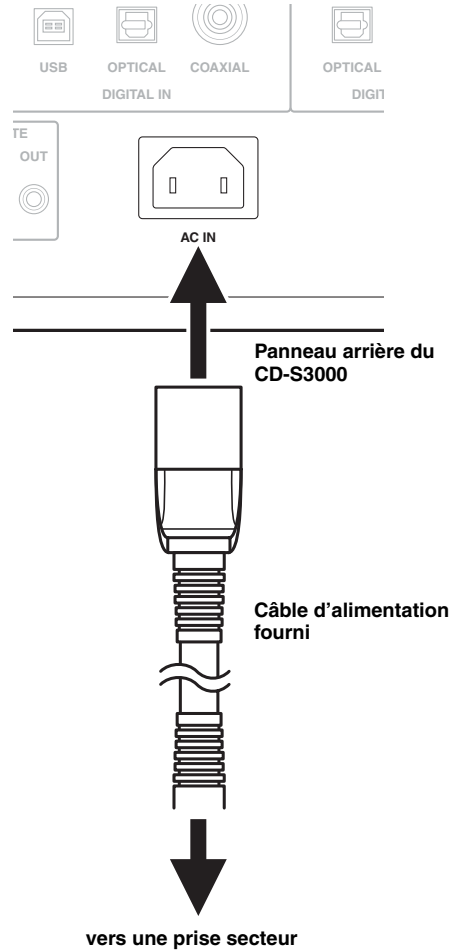


Lors du raccordement, veillez à bien aligner les broches et à insérer la fiche symétrique XLR « femelle ». Pour débrancher le câble à fiche « femelle » symétrique XLR, tirez sur la fiche tout en appuyant sur le taquet.



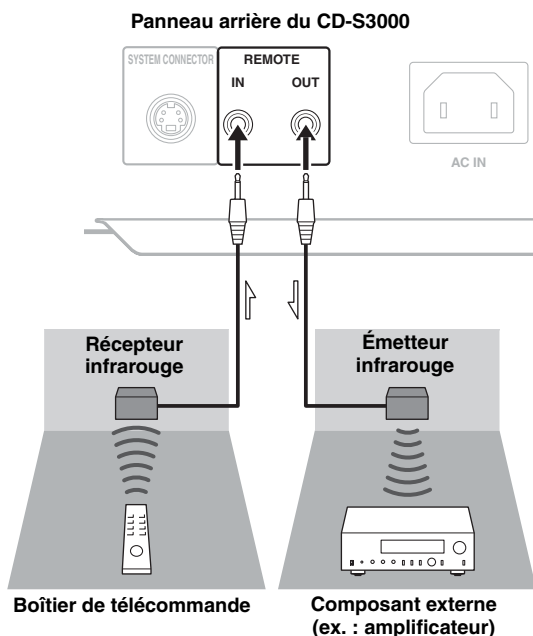
■ Raccordement du câble d'alimentation

Branchez le câble d'alimentation secteur sur la prise AC IN lorsque tous les appareils ont été raccordés, puis branchez-le sur la prise secteur.



■ Fonctionnement de cet appareil dans une autre pièce

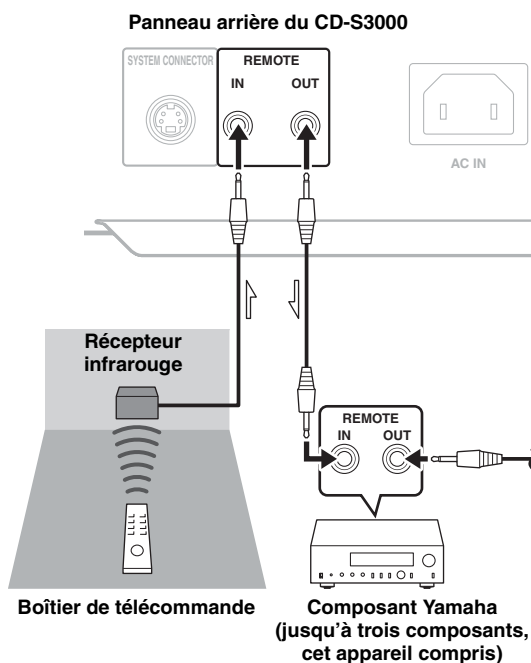
Si vous branchez un récepteur et un émetteur infrarouge aux prises REMOTE IN/OUT de cet appareil, vous pouvez utiliser l'appareil et/ou le composant externe à l'aide du boîtier de télécommande fourni situé dans une autre pièce.



■ Connexion à distance entre les composants Yamaha

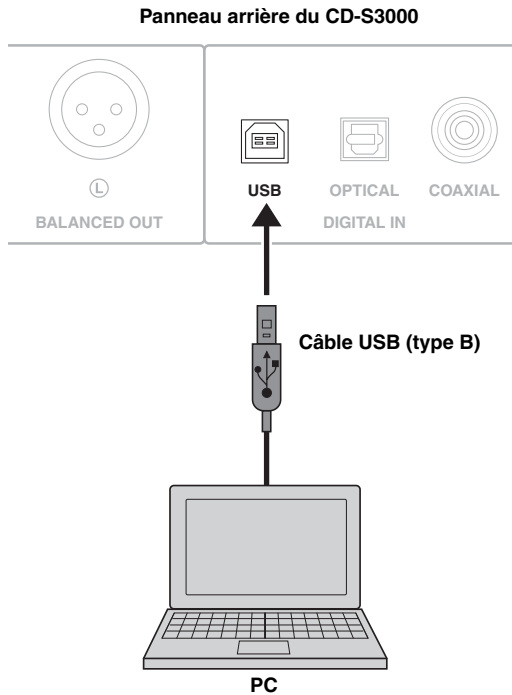
Lorsque vous avez un autre composant Yamaha prenant en charge la connexion à distance, comme c'est le cas pour cet appareil, un émetteur infrarouge est inutile. Vous pouvez transmettre des signaux à distance en raccordant un récepteur infrarouge et la prise REMOTE IN de l'autre composant aux prises REMOTE IN/OUT de cet appareil, avec des câbles à mini-fiches mono.

Il est possible de raccorder jusqu'à trois composants Yamaha (cet appareil compris).



Lecture des fichiers musicaux stockés sur un PC

Lorsqu'un PC est branché à la prise USB de cet appareil, ce dernier fonctionne comme un convertisseur N/A USB, ce qui permet aux fichiers musicaux stockés sur le PC d'être lus via un amplificateur raccordé à l'appareil.



■ Systèmes d'exploitation pris en charge

La connexion USB avec cet appareil convient aux PC équipés des systèmes d'exploitation suivants :

Windows : Windows Vista (SP2, 32 bits/64 bits)/
Windows 7 (32 bits/64 bits)/
Windows 8 (32 bits/64 bits)

Mac : OS X 10.5.8/10.6.8/10.7/10.7.x/10.8.x

Remarques

- Le fonctionnement n'est pas garanti avec d'autres systèmes d'exploitation.
- Selon la configuration ou l'environnement de l'ordinateur, il se peut que des opérations soient désactivées, même avec les systèmes d'exploitation susmentionnés.
- Certaines opérations risquent de ne pas s'exécuter correctement si le PC est relié à cet appareil avant l'installation du pilote.

■ Installation du pilote dédié

Avant de relier un PC à cet appareil, installez le pilote dédié sur le PC.

- 1 **Accédez à l'URL suivante, téléchargez le pilote dédié « Yamaha Steinberg USB Driver », puis extrayez et exécutez le fichier.**

Site Web de téléchargement du pilote exclusif
URL : <http://download.yamaha.com/>

- 2 **Installez le pilote « Yamaha Steinberg USB Driver » téléchargé sur le PC.**

Pour plus de détails, reportez-vous au Guide d'installation fourni avec le pilote téléchargé.

- 3 **Une fois l'installation terminée, quittez toutes les applications en cours d'exécution.**

- 4 **Réglez la destination de sortie audio de l'ordinateur sur « Yamaha CD Player ».**

Avec le système d'exploitation Windows :

Panneau de configuration → Son → Onglet [Lecture]

Avec le système d'exploitation Mac :

Préférences Système → Son → Onglet [Sortie]

Le réglage peut varier en fonction du système d'exploitation. Pour plus de détails, consultez le fabricant de votre PC.



Les fréquences d'échantillonnage transmissibles sont les suivantes :

44,1 kHz/48 kHz/88,2 kHz/96 kHz/176,4 kHz/192 kHz

Remarques

- Certaines opérations risquent de ne pas s'exécuter correctement si le PC est relié à cet appareil avant l'installation du pilote.
- Si le pilote est installé sur un ordinateur Windows XP, la vitesse de fonctionnement de l'ordinateur risque d'être réduite. Dans ce cas, redémarrez l'ordinateur.
- Le « Yamaha Steinberg USB Driver » peut être modifié sans avis préalable. Pour obtenir des détails et les dernières informations, reportez-vous à la page de téléchargement du pilote.

■ Lecture des fichiers musicaux stockés sur le PC

1 Reliez le PC à cet appareil à l'aide d'un câble USB.

2 Mettez le PC sous tension.

3 Mettez cet appareil sous tension en appuyant sur le commutateur STANDBY/ON/OFF du panneau avant.

4 Sélectionnez « USB » avec la touche SOURCE de cet appareil.

5 Réglez la destination de sortie audio du PC sur « Yamaha CD Player ».

Avec le système d'exploitation Windows :

Panneau de configuration → Son → Onglet [Lecture]

Avec le système d'exploitation Mac :

Préférences Système → Son → Onglet [Sortie]

Le réglage peut varier en fonction du système d'exploitation. Pour plus de détails, consultez le fabricant de votre PC.

6 Mettez le PC en marche pour lancer la lecture des fichiers musicaux.

Lorsque le signal de musique est émis du PC à l'appareil, la fréquence d'échantillonnage du fichier en cours de lecture est indiquée sur l'écran de l'appareil.

■ Réglage du volume sonore

Pour obtenir une meilleure qualité sonore, réglez le volume sonore du PC au maximum, puis augmentez progressivement le volume de l'amplificateur du minimum au niveau souhaité.

Remarques

- Ne débranchez pas le câble USB, mettez l'appareil hors tension ou changez d'entrée avec la touche SOURCE lorsque la lecture sur un PC relié par un câble USB est en cours. Cela pourrait entraîner un dysfonctionnement.
- Pour désactiver les sons de fonctionnement de l'ordinateur pendant la lecture de musique, modifiez le réglage sur le PC.
- S'il est impossible de lire correctement des fichiers musicaux, redémarrez l'ordinateur et recommencez la procédure mentionnée.
- Il est impossible de commander les fichiers musicaux stockés sur un PC à partir de cet appareil ou du boîtier de télécommande de cet appareil. Commandez-les sur le PC.

CD-S3000

Caractéristiques techniques

Dans cette section, vous trouverez les caractéristiques techniques du CD-S3000.



Caractéristiques techniques

SECTION AUDIO

- Réponse en fréquence (1 kHz, 0 dB)
 - SA-CD 2 Hz à 50 kHz (-3 dB)
 - CD 2 Hz à 20 kHz
- Plage de fréquences de lecture 2 Hz à 96 kHz
- Distorsion harmonique (1 kHz, 0 dB)
 - SA-CD 0,002 % ou moins
 - CD 0,002 % ou moins
- Rapport signal/bruit (Réseau IHF-A) (1 kHz, 0 dB)
 - SA-CD/CD 116 dB ou plus
- Gamme dynamique (1kHz, 0 dB)
 - SA-CD 110 dB ou plus
 - CD 100 dB ou plus
- Niveau de sortie (1 kHz, 0 dB)
 - SA-CD/CD 2,0 ± 0,3 V

PROPRIÉTÉS DE LA DIODE LASER

- Longueur d'ondes
 - SA-CD 655 nm
 - CD 790 nm
- Puissance de sortie
 - SA-CD 1,89 mW (max.)
 - CD 1,36 mW (max.)

SECTION ENTRÉE/SORTIE

- Entrée numérique (DIGITAL IN)
 - USB (Type B) × 1 Conforme USB 2.0
 - OPTICAL × 1
 - COAXIAL × 1
 - Prise en charge du taux d'échantillonnage audio
 - 44,1/48/88,2/96/176,4/192 kHz
 - Profondeurs de mot 16 bits/24 bits
- Sortie numérique (DIGITAL OUT)
 - OPTICAL × 1
 - COAXIAL × 1
 - Prise en charge du taux d'échantillonnage audio
 - 44,1/48/88,2/96/176,4/192 kHz
 - Profondeurs de mot 16 bits/24 bits
- Sortie audio
 - ANALOG OUT asymétrique × 2 canaux (G/D)
 - BALANCED OUT symétrique × 2 canaux (G/D)
- Entrée/Sortie à distance
 - REMOTE IN
 - REMOTE OUT
- Connecteur de système
 - SYSTEM CONNECTOR

GÉNÉRALITÉS

- Alimentation
 - [Modèles pour la Chine, la Corée, l'Asie, l'Australie, le Royaume-Uni et l'Europe] 220 – 240 V CA, 50/60 Hz
 - [Modèles pour les États-Unis, le Canada et Taïwan]
 - 110 – 120 V CA, 50/60 Hz
- Consommation 30 W
- Consommation en veille (données de référence) 0,3 W
- Dimensions (L × H × P) 435 × 142 × 440 mm
- Poids 19,2 kg

* Les caractéristiques techniques peuvent être modifiées sans avis préalable.

Entretien de cet appareil

Finition brillante sur les panneaux latéraux

L'utilisation du chiffon Yamaha Unicon (disponible en option) est recommandée. Pour enlever les taches rebelles, utilisez le Yamaha Piano Unicon (disponible en option). Pour l'achat, contactez le revendeur ou le service après-vente agréé Yamaha le plus proche.

Autre finition

Pour essuyer cet appareil, n'utilisez pas de solvants chimiques (alcool, diluant, etc.) qui risqueraient d'endommager la finition. Utilisez un chiffon propre et sec. Pour enlever les taches rebelles, trempez un chiffon doux dans un mélange de détergent et d'eau et extrayez bien toute l'eau du chiffon avant de nettoyer l'appareil.

■ Types de disques pris en charge

Cet appareil peut lire les disques compacts portant les logos suivants. N'essayez jamais de mettre d'autres types de disques dans cet appareil. Cet appareil peut également lire les disques compacts de 8 cm.

CD Super Audio

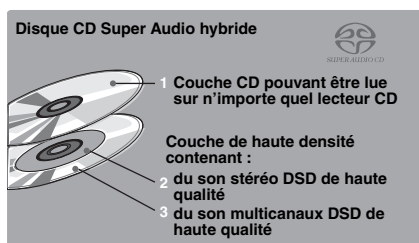
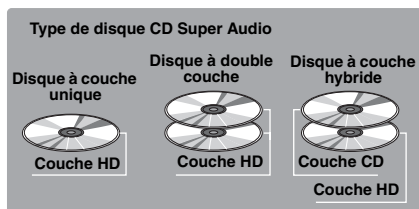


SUPER AUDIO CD

Il s'agit d'un format audio basé sur les normes CD actuelles mais contenant un grand nombre d'informations qui améliorent la qualité du son. Il existe trois types de disques : les disques à couche unique, les disques à double couche et les disques hybrides. Les disques hybrides peuvent être lus sur les lecteurs CD existants de même que sur les lecteurs de CD Super Audio, car ils contiennent des informations CD audio classiques et CD Super Audio.

Remarque

L'afficheur du panneau avant de cet appareil n'affiche pas de données alphabétiques.



Disques compacts (audio numériques)



Les disques audio les plus populaires en vente dans le commerce.

Disques audio numériques CD-R, CD-RW



CD de musique obtenus par copie sur un CD-R ou CD-RW (fichiers de format MP3 ou WMA compris).

Remarques

- Veillez à utiliser des CD-R ou CD-RW d'une marque fiable.
- Veillez à utiliser des CD-R ou CD-RW sur lesquels au moins une des phrases suivantes est inscrite sur le disque ou le boîtier du disque.
 - FOR CONSUMER
 - FOR CONSUMER USE
 - FOR MUSIC USE ONLY
- Veillez à utiliser des CD-R ou CD-RW finalisés.

Disques CD-TEXT



Disques enregistrés avec des données alphabétiques, telles que les titres d'album, les titres de pages et les noms d'artistes. Ces disques peuvent être lus par les lecteurs de CD ordinaires.

Remarque

L'afficheur du panneau avant de cet appareil n'affiche pas de données alphabétiques.

REMARQUE :

Cet appareil ne pourra pas lire les CD-RW ou disques qui n'ont pas été enregistrés convenablement.

Pour éviter toute anomalie de fonctionnement :

- N'utilisez pas un disque de forme inhabituelle (en forme de cœur, etc.), en vente dans le commerce, car il pourrait endommager cet appareil.
- N'utilisez pas de disque ayant une étiquette, du ruban adhésif ou de la colle sur la surface. Le disque pourrait rester coincé dans l'appareil et l'endommager.



Formats de disque lisibles

■ À propos des disques MP3 et WMA

Vous pouvez lire les fichiers MP3 et WMA enregistrés sur un CD-R ou CD-RW de la même façon qu'un CD de musique.

MP3

MP3 (MPEG-1 Audio Layer-3) est un format et une technologie standard destinés à comprimer les données audio de manière à réduire la taille des fichiers. Toutefois, le niveau original de qualité sonore est préservé lors de la lecture.

Remarques

- Ce appareil lit les fichiers MP3 dans l'ordre alphanumérique.
- Un maximum de 648 dossiers et fichiers (combinés) et de 299 dossiers peuvent être reconnus ; toutefois, certains dossiers et fichiers peuvent ne pas être reconnus à cause de la structure de leur répertoire.
- Selon les conditions d'enregistrement, par exemple les réglages utilisés lors de l'enregistrement, cet appareil peut être incapable de logiciel de lire les plages ou les fichiers du disque dans l'ordre où ils ont été enregistrés.
- Cet appareil est compatible avec une fréquence d'échantillonnage de 44,1 kHz.
- Cet appareil est compatible avec un débit binaire de 32, 40, 48, 56, 64, 80, 96, 112, 128, 160, 192, 224, 256 ou 320 kbps. Le débit binaire variable n'est pas pris en charge.
- Le disque doit être compatible avec la norme ISO9660.
- Les données alphabétiques contenues dans les fichiers ne sont pas affichées sur cet appareil.

WMA

Le WMA (Windows Media Audio) est un format de fichier Microsoft utilisé pour le codage des fichiers audio numériques similaires au MP3 mais le WMA peut compresser les fichiers à un niveau plus élevé que le MP3.

Remarques

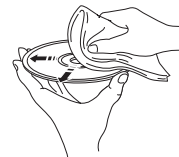
- Ce appareil lit les fichiers WMA dans l'ordre alphanumérique.
- Un maximum de 648 dossiers et fichiers (combinés) et de 299 dossiers peuvent être reconnus ; toutefois, certains dossiers et fichiers peuvent ne pas être reconnus à cause de la structure de leur répertoire.
- Cet appareil est compatible avec une fréquence d'échantillonnage de 44,1 kHz.
- Cet appareil est compatible avec un débit binaire de 48, 64, 80, 96, 128, 160 ou 192 kbps. Le débit binaire variable n'est pas pris en charge.
- Le disque doit être compatible avec la norme ISO9660.
- Les fichiers WMA protégés contre la copie ne peuvent pas être lus sur cet appareil.
- Les données alphabétiques contenues dans les fichiers ne sont pas affichées sur cet appareil.

■ Maniement des disques compacts

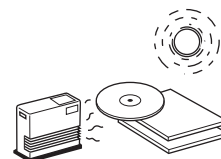
- Maniez toujours un disque avec précaution de manière à ne pas rayer sa surface.



- Les disques compacts ne s'usent pratiquement pas à la lecture, mais une surface endommagée par un mauvais traitement peut affecter la lecture.
- Veuillez utiliser un crayon feutre ou un crayon similaire pour écrire sur la face étiquetée d'un disque. N'utilisez pas de stylo à bille, de crayon ni d'outils à extrémité dure, car ils peuvent endommager le disque et affecter la lecture.
- Ne tordez pas les disques.
- Lorsque vous n'utilisez pas un disque, retirez-le de l'appareil et rangez-le dans son boîtier.
- Lorsque vous retirez ou rangez un disque, veillez à ne pas rayer la face gravée.
- Les petites particules de poussière ou les traces de doigts sur la face gravée n'affectent pas les disques compacts, mais ils doivent malgré tout être maintenus propres. Essayez la surface du disque avec un chiffon propre et sec. N'essayez pas la surface du disque en un mouvement circulaire, mais en allant du centre vers la périphérie.



- N'essayez pas de nettoyer la surface du disque avec des produits de nettoyage de disques, des aérosols pour microsillons, des aérosols ou liquides antistatiques ou tout autre liquide à base chimique car ces substances peuvent endommager définitivement la surface du disque.
- N'exposez pas les disques à la lumière directe du soleil, à une haute température ou à une haute humidité pendant longtemps car ils pourraient se déformer ou être endommagés.



- Pour lire un disque compact de 8 cm, posez-le sur le cercle intérieur du tiroir de disque. Ne posez pas un CD normal de 12 cm sur un CD de 8 cm.

Reportez-vous au tableau suivant si l'appareil ne fonctionne pas comme il devrait. Si l'anomalie constatée n'est pas mentionnée, ou encore si les actions correctives suggérées sont sans effet, mettez l'appareil hors tension, débranchez le câble d'alimentation secteur et prenez contact avec le revendeur ou le service après-vente agréé Yamaha le plus proche.

Anomalies	Causes possibles	Actions correctives	Voir page
L'appareil ne se met pas sous tension lorsqu'on appuie vers le haut sur STANDBY/ON/OFF.	Le câble d'alimentation n'est pas branché ou la fiche n'est pas enfoncée complètement.	Branchez convenablement le câble.	20
Cet appareil passe automatiquement en mode STANDBY.	La fonction de mise en veille automatique est activée.	Si l'appareil n'est pas utilisé pendant 30 minutes sans signal audio détecté, il passe automatiquement en mode STANDBY.	6
Le tiroir du disque ne se ferme pas complètement.	Un objet obstrue le tiroir.	Vérifiez attentivement le tiroir et retirez l'objet.	—
La lecture ne commence pas.	Le disque est endommagé.	Vérifier attentivement le disque et le changer si cela s'avère nécessaire.	—
	Il y a de l'humidité sur le bloc optique.	Attendez 20 à 30 minutes après avoir mis l'appareil sous tension, puis commencez la lecture.	—
	Le disque est placé en sens inverse.	Remettez le disque en place avec son étiquette dirigée vers le haut.	—
	Le disque est sale.	Nettoyez le disque.	28
	Les formats MP3 et WMA ne sont pas compatibles avec cet appareil.	Remplacez le disque par un disque correctement enregistré et pouvant être lu sur cet appareil.	28
	Le disque CD-RW (réinscriptible) n'a pas été enregistré correctement.	Remplacez le disque par un disque correctement enregistré et pouvant être lu sur cet appareil.	27
	Le disque n'est pas un disque standard et ne peut pas être lu par cet appareil.	Remplacez le disque par un disque correctement enregistré et pouvant être lu sur cet appareil.	27
La lecture est retardée ou commence au mauvais endroit.	Le disque est sans doute rayé ou endommagé.	Vérifiez attentivement le disque et si cela s'avère nécessaire.	28
Pas de son.	Raccordement incorrect des câbles de sortie.	Raccordez correctement les câbles. Si le problème persiste, les câbles sont sans doute défectueux.	18
	Fonctionnement incorrect de l'amplificateur.	Réglez les commandes de l'amplificateur sur la sélection d'entrée correcte.	—
Aucun son de lecture du composant connecté aux prises d'entrée numériques.	L'appareil est en mode PURE DIRECT.	Mettez le mode PURE DIRECT hors service.	7
	La couche du CD Super Audio est en cours de lecture.	Changez la couche de lecture.	7
Le son « saute ».	Cet appareil est soumis à des vibrations ou à des chocs.	Placez l'appareil à un autre endroit.	—
	Le disque est sale.	Nettoyez le disque.	28
	L'horloge du signal audio de lecture fluctue.	Modifiez la bande passante DPLL du convertisseur N/A audio (ES9018).	14
Le son « bourdonne ».	Raccordement incorrect des câbles.	Raccordez correctement les câbles audio. Si le problème persiste, les câbles sont sans doute défectueux.	18

Anomalies	Causes possibles	Actions correctives	Voir page
Parasites provenant d'un tuner proche.	Le tuner est trop près de cet appareil.	Éloignez le tuner de cet appareil.	—
Parasites provenant de l'intérieur du tiroir.	Le disque est sans doute déformé.	Remplacez le disque.	28
Aucun son du composant branché à la prise DIGITAL IN (OPTICAL ou COAXIAL).	Le réglage de la source audio de sortie sur le composant relié n'est pas « PCM ».	Seules les sources audio PCM peuvent être lues via les prises DIGITAL IN (OPTICAL/ COAXIAL) de cet appareil. Réglez la source audio de sortie du composant relié sur « PCM ».	—
La télécommande de fonctionne pas.	Les piles de la télécommande sont trop faibles.	Remplacez les piles.	16
	Télécommande trop éloignée ou trop inclinée.	Utilisez-la à moins de 6 m et dans un rayon de moins de 60°.	9
	Le détecteur de télécommande de cet appareil est exposé à la lumière directe du soleil (ou d'une lampe fluorescente de type inverseur, etc.).	Changez l'emplacement de l'appareil.	9

■ À propos de la connexion USB

Anomalies	Causes possibles	Actions correctives	Voir page
Le PC relié ne reconnaît pas cet appareil.	Le système d'exploitation du PC n'est pas pris en charge.	Utilisez un PC doté d'un système d'exploitation dont le fonctionnement est garanti.	22
	Raccordement incorrect du câble USB.	Raccordez correctement le câble USB.	19, 22
	La sortie de l'ordinateur ou de l'application est mise en sourdine.	Annulez la mise en sourdine du PC ou de l'application.	—
Parasites pendant la lecture.	Une autre application est lancée sur le PC alors qu'un fichier musical est en cours de lecture.	Si une autre application est lancée alors qu'un fichier musical est en cours de lecture, le son peut être momentanément perdu ou des parasites peuvent être générés. Ne lancez pas d'autres applications pendant la lecture.	—
Impossible de lire des fichiers musicaux.	Les données musicales ne sont pas correctement reproduites, parce que cet appareil est relié au PC ou l'entrée de cet appareil est commutée sur « USB » alors que l'application de musique est en cours d'exécution sur le PC.	Raccordez cet appareil au PC et réglez l'entrée de l'appareil sur « USB » à l'avance. Ensuite, lancez l'application de musique et démarrez la lecture.	23
	Le pilote « Yamaha Steinberg USB Driver » n'a pas été installé correctement.	Réinstallez le pilote « Yamaha Steinberg USB Driver » en suivant la procédure correcte.	22

■ Messages sur l'affichage des informations

Message	État
NO DISC	Le tiroir de disque est vide.
Check Cable	Le pilote « Yamaha Steinberg USB Driver » dédié n'a pas été installé correctement. Il est également possible que la sortie audio de l'ordinateur n'ait pas été réglée sur « Yamaha CD Player ».
Check PC	Il est impossible de reconnaître le signal audio de l'ordinateur.
Fs: ----kHz	Aucun signal audio n'est reconnu.

Eine lebendige Klangtradition

Ein Piano wird durch die perfekte Synergie von fortschrittlichen technischen Kenntnissen und Kunst geschaffen. Solch ein Piano kann Klänge erzeugen, welche die Gefühle des Spielenden genau widerspiegeln.

Der letzte Schritt bei der Herstellung eines Pianos wird als „Voicing“ bezeichnet. Zu diesem Zeitpunkt bekommt das Instrument seine Seele.

Ein äußerst erfahrener Fachmann konzentriert seinen Sinn und seine Sensitivität auf den Klang jeder Taste und passt die dynamische Haptik der Hämmer extrem fein an, wodurch der Klang und die Resonanz aller 88 Tasten perfekt zusammengeführt werden; eine wirklich beachtliche Leistung.

Dieses Merkmal des Klangs kann nur von einem geschärften und sensiblen Ohr wahrgenommen werden. Das gleiche Konzept setzen wir bei der Herstellung unserer Audioprodukte ein. Der Techniker führt umfangreiche Hörtests durch, wobei jede Komponente berücksichtigt wird, um im Endeffekt den idealen Klang zu erreichen.

Yamahas Tradition im Bereich Audioqualität erstreckt sich über 125 Jahre zurück und besteht heute in allen Yamaha-Produkten fort.



Vortrefflichkeit im Audibereich

1920-
1960s

Erste HiFi-Anlage 1920 vorgestellt

Wir stellten zahlreiche HiFi-Komponenten (Plattenspieler, UKW/MW-Tuner, Vollverstärker, Vorverstärker, Endstufenverstärker und Lautsprecher) in den Jahren 1955 - 1965 vor.



NS-20



CA-1000

„Natural Sound“-Lautsprecherbaureihe, vorgestellt im Jahre 1967

NS-20 Monitor-Lautsprecher



NS-690



NS-1000M

1970s

CA-1000 Vollverstärker

Mit A-Klasse-Bedienung setzt der CA-1000 den Standard für Vollverstärker.

NS-690 „Natural Sound“-Lautsprecher

NS-1000M Monitor-Lautsprecher

Ein wirklich legendärer Lautsprecher, der immer noch von HiFi-Enthusiasten bewundert wird.

B-1 Endstufenverstärker

Ein innovativer Endstufenverstärker, der vertikale FETs in allen Stufen einsetzt.

C-2 Steuerverstärker

Erhielt den Spitzenpreis bei der Internationalen Musik- und HiFi-Show in Mailand

NS-10M Studio-Monitor-Lautsprecher

Wurde einer der beliebtesten Studiomonitore in der Welt.

A-1 Vollverstärker

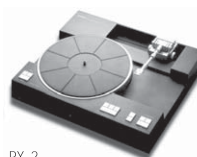
PX-2 Plattenspieler

Yamahas erster Plattenspieler mit geradem Arm.



C-2

B-1



PX-2



NS-10M



A-1

1980s

B-6 Endstufenverstärker

Pyramidenförmiger Endstufenverstärker.

GT-2000/L Plattenspieler

Erster CD-Player (CD-1) vorgestellt im Jahre 1983

B-2x Endstufenverstärker

MX-10000 Endstufenverstärker und CX-10000 Steuerverstärker

Definierte die Fähigkeiten separater Komponenten neu.

AX-1 Vollverstärker

GT-CD1 CD-Player

MX-1 Endstufenverstärker und CX-1 Vorverstärker



B-6



B-2x



MX-10000



CX-10000



A-S2000

1990s

Soavo-1 und Soavo-2 „Natural Sound“-Lautsprechersysteme

A-S2000 Stereo-Verstärker und CD-S2000 Super Audio CD-Player

NP-S2000 Netzwerk-Player



Soavo-1



CD-S2000



NP-S2000

2000s

2010s

CD-S3000

- ◆ *Symmetrische Vollstufen-Signalübertragung beginnend mit dem DAC erzielt ultimative CD-Wiedergabe*
- ◆ *Unabhängige Netzstufen mit kompletter Trennung der digitalen und analogen Schaltkreise*
- ◆ *Exklusiver Yamaha-Einzugsmechanismus und extrem präzises CD-Laufwerk*
- ◆ *Links-rechts-symmetrisches Design mit steifer, stabiler Konstruktion*
- ◆ *Pure Direct*
- ◆ *Hervorragender Klang von Super Audio CDs*
- ◆ *Schwere Standfüße mit neu entwickelten Antivibrations-Spikes*
- ◆ *DSD-Wiedergabe über 192 kHz, 24 Bit USB DAC*

■ Mitgeliefertes Zubehör

Bitte überprüfen Sie, dass Sie alle folgenden Teile erhalten haben.

- Netzkabel
- Fernbedienung
- Batterien (AAA, R03, UM-4) (×2)
- Stereo-Cinch-Kabel
- SICHERHEITSBROSCHÜRE

Inhaltsverzeichnis

Bedienungselemente und ihre Funktionen.....	6
Anschlüsse	18
Wiedergabe von auf dem Computer gespeicherten Musikdateien.....	22
Technische Daten.	26
Abspielbares Disc-Format	27
Störungsbeseitigung.....	29

■ Über diese Anleitung

- ✱ zeigt einen Tipp für Ihre Bedienung an.
- Die Farbe von Abbildungen in dieser Anleitung kann sich von der Originalfarbe unterscheiden.
- Lesen Sie die „SICHERHEITSBROSCHÜRE“, bevor Sie dieses Gerät verwenden.

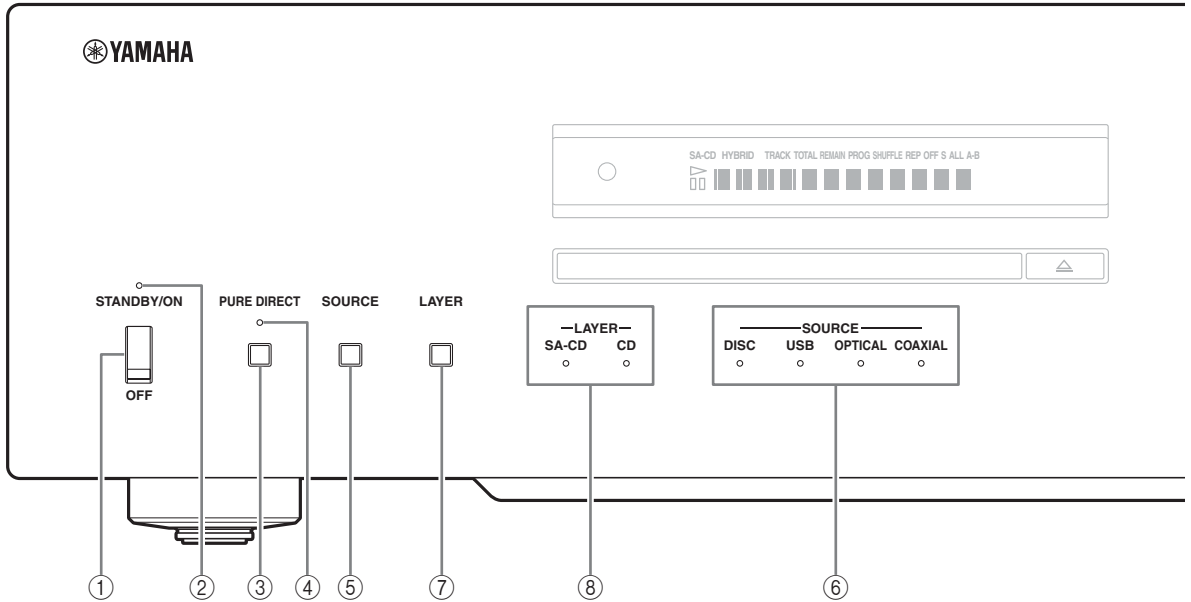
CD-S3000 Bedienungselemente und ihre Funktionen

In diesem Kapitel werden die Bedienungselemente und Funktionen des CD-S3000 beschrieben.



Bedienungselemente und ihre Funktionen

■ Vorderseite (Seiten 6 bis 9)



① STANDBY/ON/OFF-Schalter

Mit diesem Schalter wird das Gerät ein- oder ausgeschaltet.

STANDBY/ON (obere Position):

In dieser Position können Sie STANDBY oder ON über die Taste CD auf der Fernbedienung auswählen.

OFF (untere Position):

Die Stromversorgung dieses Gerätes ist ausgeschaltet.

Hinweise

- Wenn Sie dieses Gerät einschalten, tritt eine Verzögerung von einigen Sekunden auf, bevor dieses Gerät den Ton reproduzieren kann.
- Wenn dieses Gerät 30 Minuten lang nicht bedient und kein Audiosignal erkannt wird, wechselt es in den STANDBY-Modus (Seite 15).
- Wenn Sie das Netzkabel von der Netzsteckdose trennen und es erneut anschließen, wenn sich dieses Gerät im STANDBY-Modus befindet, wird die Stromversorgung des Gerätes eingeschaltet (Seite 20). Wenn das Gerät längere Zeit nicht bedient wird, setzen Sie den Schalter STANDBY/ON/OFF auf OFF.

② STANDBY/ON-Anzeige

Leuchtet hell:

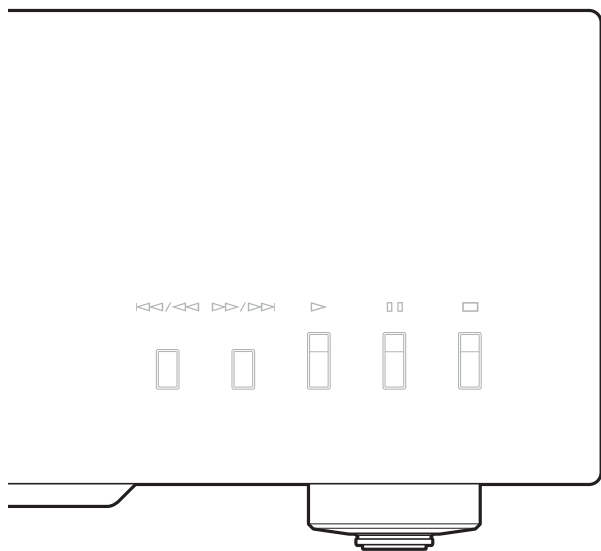
Zeigt, dass die Stromversorgung des Gerätes eingeschaltet ist. In diesem Status können Sie das Gerät über die Taste CD auf der Fernbedienung in den Modus STANDBY umschalten.

Leuchtet schwach:

Zeigt an, dass sich das Gerät im STANDBY-Modus befindet. In diesem Status wird das Gerät durch Betätigen der Taste CD auf der Fernbedienung eingeschaltet.

Aus:

Zeigt, dass die Stromversorgung des Gerätes ausgeschaltet ist. In diesem Status können Sie das Gerät nur mit dem STANDBY/ON/OFF-Schalter einschalten.



③ PURE DIRECT-Taste

Schaltet den PURE DIRECT-Modus ein, um die Audioqualität zu verbessern. Wenn sich dieses Gerät im PURE DIRECT-Modus befindet:

- Über die Buchsen DIGITAL OUT (OPTICAL und COAXIAL) an der Rückseite wird kein Signal ausgegeben (Seite 10).
- Die minimalen Anzeigen und Meldungen werden im Frontblende-Display angezeigt.



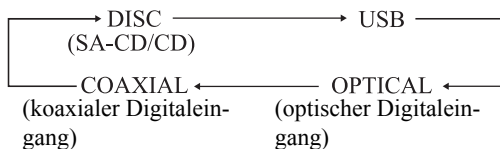
- Drücken Sie diese Taste erneut, um den PURE DIRECT-Modus auszuschalten.
- Diese Einstellung wird auch beim Ausschalten des Geräts bewahrt.

④ PURE DIRECT-Anzeige

Diese Anzeige leuchtet, wenn der PURE DIRECT-Modus eingeschaltet ist.

⑤ SOURCE-Taste

Über diese Taste wählen Sie die Audioquelle, die wiedergegeben werden soll. Bei jeder Betätigung der Taste wird die Audioquelle umgeschaltet.



Die Einstellung der Audioquelle wird auch beim Ausschalten des Geräts bewahrt.

⑥ SOURCE-Anzeigen

Die Anzeige der über die SOURCE-Taste ausgewählten Audioquelle leuchtet.

⑦ LAYER-Taste

Diese Taste schaltet den Wiedergabe-Layer einer Hybrid-Super-Audio-CD zwischen SA-CD und CD um, während die Wiedergabe gestoppt ist (Seite 27).



Diese Einstellung wird auch beim Ausschalten des Geräts bewahrt.

Hinweis

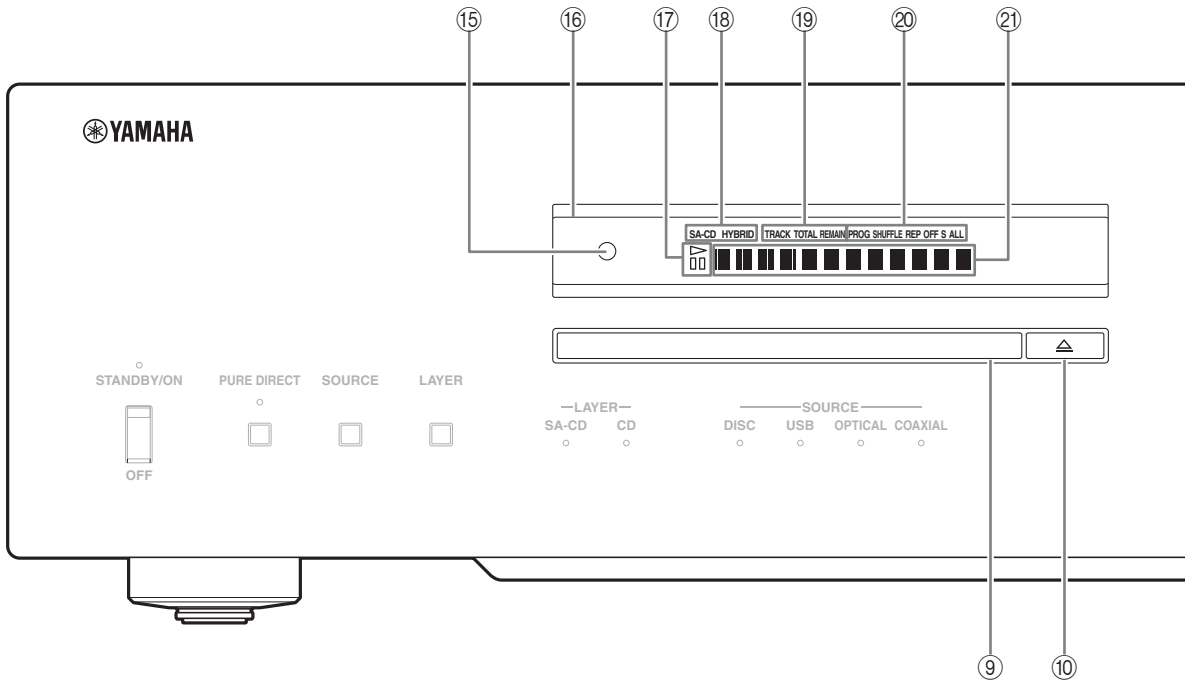
Wenn der SA-CD-Layer ausgewählt ist, werden die Audiosignale nur über die Buchsen BALANCED OUT und ANALOG OUT ausgegeben.

⑧ LAYER-Anzeige

Die Anzeige des über die LAYER-Taste ausgewählten Layers leuchtet.

Bedienungselemente und ihre Funktionen

■ Vorderseite (Seiten 6 bis 9)



⑨ Disc-Schublade


Hier wird eine CD eingelegt.

⑩ (Öffnen/Schließen)-Taste

Öffnet oder schließt das Disc-Fach.



Das Disc-Fach wird automatisch geschlossen, wenn Sie

- die -Taste (Wiedergabe) an der Vorderseite oder auf der Fernbedienung drücken.
- vorsichtig gegen die Vorderkante des Disc-Fachs drücken.
- eine Zifferntaste auf der Fernbedienung drücken.

⑪ (Rückwärts springen/suchen)-Taste

Drücken Sie die Taste einmal, um zum Anfang des aktuellen Titels zurückzuspringen.

Drücken Sie die Taste zweimal, um zum Anfang des vorherigen Titels zurückzuspringen.

Halten Sie die Taste gedrückt, um rückwärts zu suchen.

(Vorwärts springen/suchen)-Taste



Drücken Sie die Taste einmal, um zum nächsten Titel zu springen.

Halten Sie die Taste gedrückt, um vorwärts zu suchen.

⑫ (Wiedergabe)-Taste

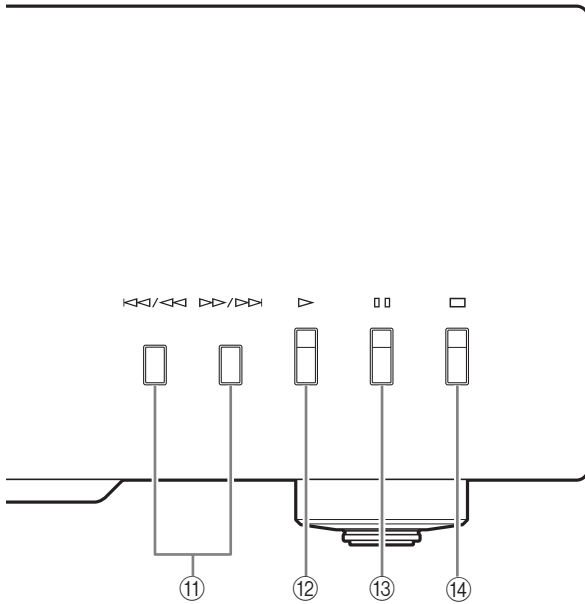
Startet die Wiedergabe.

⑬ (Pause)-Taste

Hält die Wiedergabe an. Drücken Sie die Taste  oder  zum Fortsetzen der Wiedergabe.

⑭ (Stopp)-Taste

Stoppt die Wiedergabe.



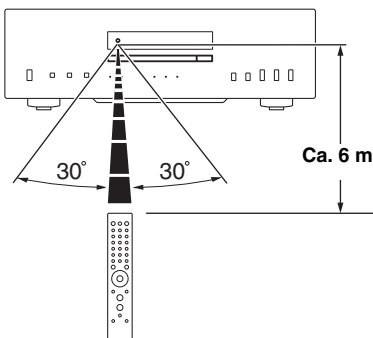
15 Fernbedienungssensor

Empfängt die Signale von der Fernbedienung.



Die Fernbedienung sendet einen gerichteten Infrarotstrahl aus.

Richten Sie die Fernbedienung während der Bedienung unbedingt direkt auf den Fernbedienungssensor an der Vorderseite dieses Gerätes.



16 Display

Die Helligkeit kann über die Taste DIMMER auf der Fernbedienung angepasst werden (Seite 12).

17 ▷ (Wiedergabe)-/◻◻ (Pause)-Anzeige

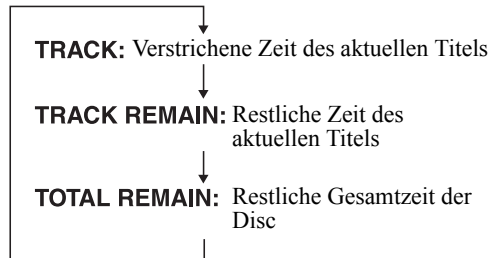
Diese Anzeige leuchtet im Wiedergabe-/Pause-Modus.

18 DiscTyp-Anzeige

Zeigt den Typ (SA-CD/CD/HYBRID) der Disc im Disc-Fach an.

19 Zeitanzeigemodus-Anzeige

Zeigt den Zeitanzeigemodus des Displays an. Ändern Sie den Modus, indem Sie die Taste DISPLAY auf der Fernbedienung drücken (Seite 13).



20 Wiedergabemodusanzeige

Zeigt den aktuellen Wiedergabemodus an.

PROG: Programmwiedergabe (Seite 14)

SHUFFLE: Zufallswiedergabe (Seite 13)

REP OFF: Wiederholungswiedergabe aus (Seite 12)

REP S: Wiederholungswiedergabe einzeln (Seite 12)

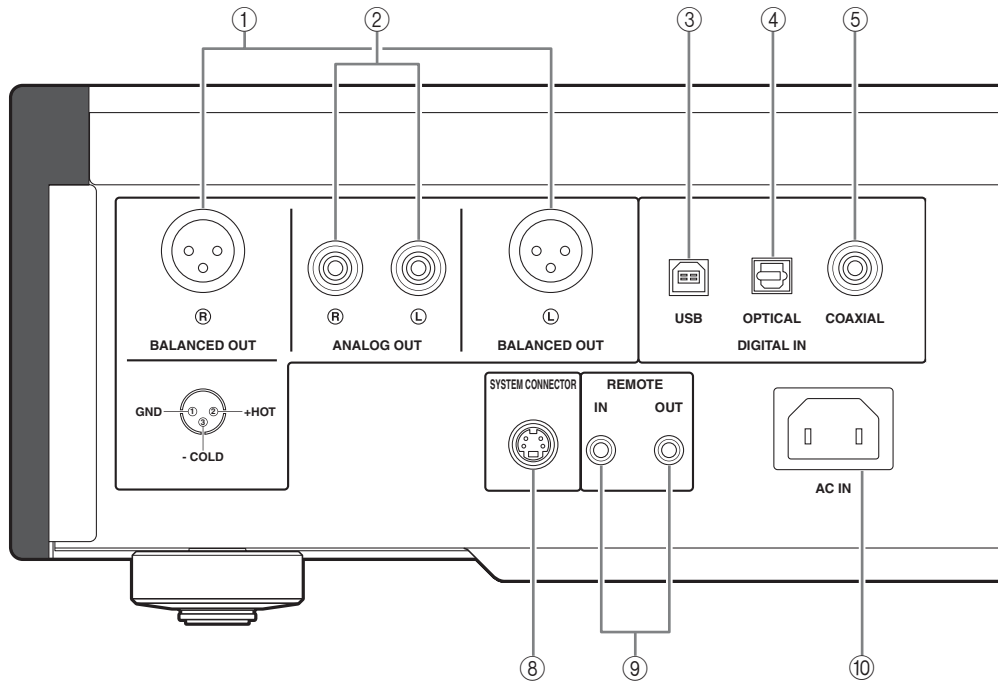
REP ALL: Wiederholungswiedergabe alle (Seite 12)

21 Informationsanzeige

Siehe Seite 28 zu Informationen zur MP3-/WMA-Wiedergabe.

Bedienungselemente und ihre Funktionen

■ Rückseite



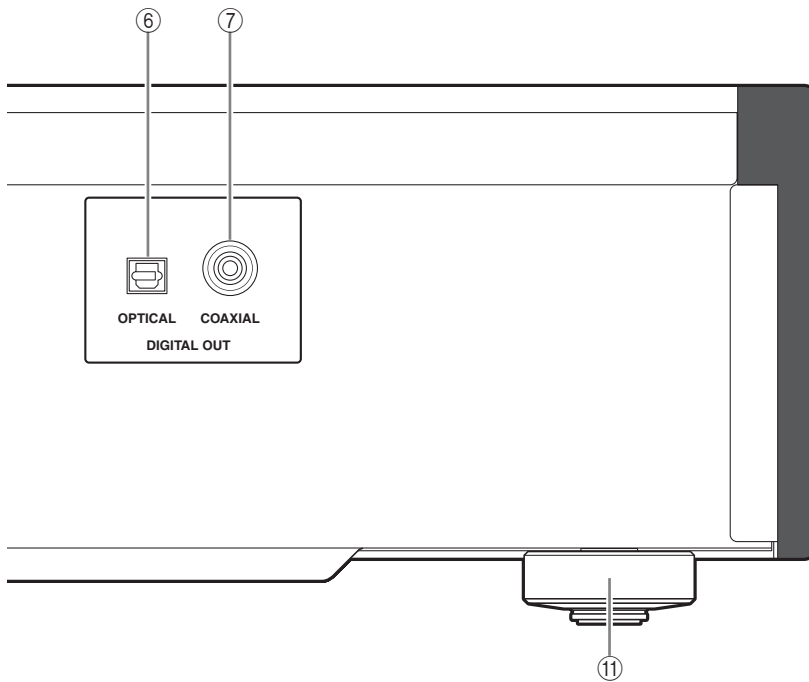
Siehe Seite 18 für Anschlussinformationen.

- ① **BALANCED OUT-Buchsen (männlich)**
- ② **ANALOG OUT-Buchsen**
- ③ **DIGITAL IN USB-Buchse (Typ B)**
- ④ **DIGITAL IN OPTICAL-Buchse**
- ⑤ **DIGITAL IN COAXIAL-Buchse**
- ⑥ **DIGITAL OUT OPTICAL-Buchse**
- ⑦ **DIGITAL OUT COAXIAL-Buchse**

Hinweis

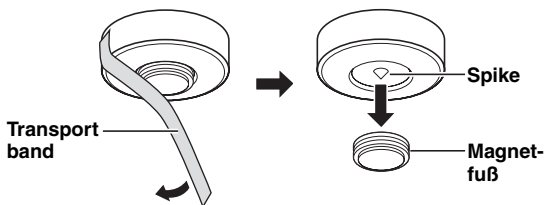
Während der Wiedergabe eines Super-Audio-CD-Layers werden die Audiosignale nur über die Buchsen BALANCED OUT und ANALOG OUT ausgegeben.

- ⑧ **SYSTEM CONNECTOR**
Verwenden Sie diesen Anschluss, um ein Testgerät für die Wartung anzuschließen.
- ⑨ **REMOTE IN/OUT-Buchsen**
Verwenden Sie diese Buchsen, um eine externe Komponente für die Fernbedienung anzuschließen. Ausführliche Informationen zum Anschluss siehe Seite 21.
- ⑩ **AC IN-Anschluss**
Verwenden Sie diese Buchse, um das mitgelieferte Netzkabel anzuschließen.
Siehe Seite 20 für Anschlussinformationen.



11 Fuß

Die FüÙe dieses GeräÙs enthalten eingebaute Spikes. Durch Verwendung der Spikes können die Auswirkungen von Vibrationen auf das GeräÙ verringert werden. Bei Verwendung der Spikes entfernen Sie zuerst das Transportband und dann den Magnetfuß, indem Sie daran ziehen.



Vorsicht

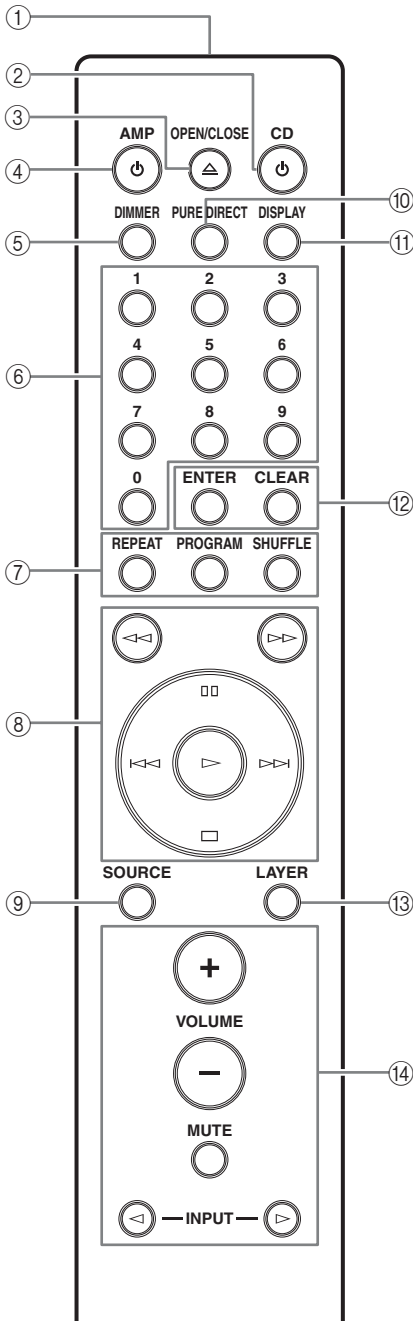
Wenn die eingebauten Spikes der FüÙe verwendet werden, können die Spikes das Regal oder den Boden, auf dem das GeräÙ aufgestellt ist, zerkratzen. Verwenden Sie die MagnetfüÙe oder geeignete Stützen bei Aufstellung dieses GeräÙs auf teuren Möbeln usw.



Wenn dieses GeräÙ instabil ist, können Sie die Fußhöhe durch Drehen einstellen.

Bedienungselemente und ihre Funktionen

■ Fernbedienung



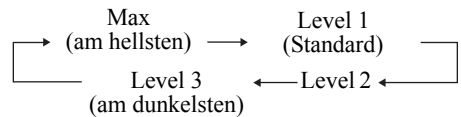
- ① **Infrarot-Signalgeber**
Sendet die Infrarotsignale an dieses Gerät.
- ② **CD-Taste**
Schaltet das Gerät EIN oder schaltet es in den STANDBY-Modus um.
Ausführliche Informationen zum STANDBY-Modus finden Sie unter „Vorderseite“ (Seite 6).

- ③ **△ OPEN/CLOSE-Taste**
Öffnet oder schließt das Disc-Fach.
- ④ **⏻ AMP-Taste**
Schaltet den Yamaha-Verstärker EIN oder schaltet ihn in den STANDBY-Modus um.

Hinweis

Einige Yamaha-Verstärker können nicht über die Taste ⏻AMP auf der Fernbedienung gesteuert werden.

- ⑤ **DIMMER-Taste**
Wählt den Helligkeitsgrad des Frontblende-Displays. Bei jeder Betätigung der Taste DIMMER wird der Helligkeitspegel in der folgenden Reihenfolge umgeschaltet:



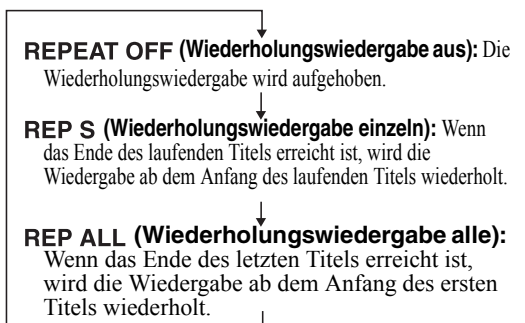
Diese Einstellung wird auch beim Ausschalten des Geräts bewahrt.

- ⑥ **Zifferntasten**
Zum direkten Wählen eines Titels verwenden.

Hinweis

Dieser Vorgang ist für MP3- oder WMA-Discs unwirksam.

- ⑦ **REPEAT-Taste**
Wiederholt die Wiedergabe eines einzelnen Titels oder aller Titels. Mit jeder Betätigung der Taste REPEAT während der Wiedergabe ändert sich der Wiederholungswiedergabe-Modus wie folgt:



Hinweis

Dieser Vorgang ist für MP3- oder WMA-Discs unwirksam.

- PROGRAM-Taste**
Schaltet den Programmwiedergabe-Modus ein oder aus. Siehe „Programmwiedergabe“ (Seite 14).

SHUFFLE-Taste

Gibt die Titel auf der Disc in zufälliger Reihenfolge wieder (Zufallswiedergabe).

Hinweise

- Dieser Vorgang ist für MP3- oder WMA-Discs unwirksam.
- Der Zufallswiedergabe-Modus wird aufgehoben, wenn die Wiedergabe gestoppt oder die Disc ausgeworfen wurde.

⑧ ◀◀ (Rückwärts suchen)-Taste

▶▶ (Vorwärts suchen)-Taste

Sucht Titel rückwärts/vorwärts.

⏸ (Pause)-Taste

Schaltet die Wiedergabe auf Pause. Drücken Sie die Taste ▶ oder ⏸ zum Fortsetzen der Wiedergabe.

▶ (Wiedergabe)-Taste

Startet die Wiedergabe.

⏮ (Rückwärts springen)-Taste

Drücken Sie die Taste einmal, um zum Anfang des aktuellen Titels zurückzuspringen.

Drücken Sie die Taste zweimal, um zum Anfang des vorherigen Titels zurückzuspringen.

▶▶ (Vorwärts springen)-Taste

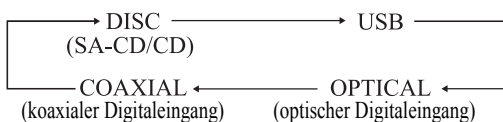
Drücken Sie die Taste einmal, um zum nächsten Titel zu springen.

⏹ (Stopp)-Taste

Stoppt die Wiedergabe.

⑨ SOURCE-Taste

Über diese Taste wählen Sie die Audioquelle, die wiedergegeben werden soll. Bei jeder Betätigung der Taste wird die Audioquelle umgeschaltet.



Die Einstellung der Audioquelle wird auch beim Ausschalten des Geräts bewahrt.

⑩ PURE DIRECT-Taste

Schaltet den PURE DIRECT-Modus ein, um die Audioqualität zu verbessern.

Wenn sich dieses Gerät im PURE DIRECT-Modus befindet:

- Die Anzeige PURE DIRECT leuchtet.
- Über die Buchsen DIGITAL OUT (OPTICAL und COAXIAL) an der Rückseite wird kein Signal ausgegeben (Seite 10).
- Die minimalen Anzeigen und Meldungen werden im Frontblende-Display angezeigt.

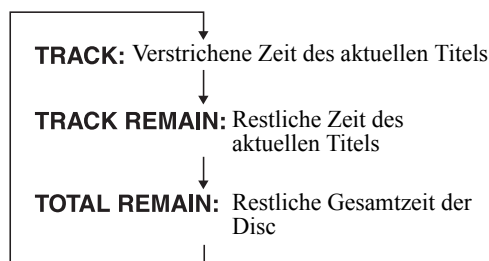


- Drücken Sie diese Taste erneut, um den PURE DIRECT-Modus auszuschalten.

- Diese Einstellung wird auch beim Ausschalten des Geräts bewahrt.

⑪ DISPLAY-Taste

Schaltet die Zeitanzeigen um. Mit jeder Betätigung der Taste DISPLAY während der Wiedergabe ändert sich die Zeitanzeige wie folgt:



⑫ ENTER-Taste

Bestätigt eine eingegebene Titelnummer beim Programmieren von Titeln.

CLEAR-Taste

Löscht den letzten programmierten Track, wenn dieses Gerät im Programmmediterrmodus ist. Siehe „Programm-wiedergabe“ (Seite 14).



Um alle programmierten Titel zu löschen, drücken Sie die Taste CLEAR, während die programmierte Wiedergabe gestoppt ist.

⑬ LAYER-Taste

Diese Taste schaltet den Wiedergabe-Layer einer Hybrid-Super-Audio-CD zwischen SA-CD und CD um, während die Wiedergabe gestoppt ist (Seite 27).



Diese Einstellung wird auch beim Ausschalten des Geräts bewahrt.

Hinweis

Wenn der SA-CD-Layer ausgewählt ist, werden die Audiosignale nur über die Buchsen BALANCED OUT und ANALOG OUT ausgegeben.

⑭ Tasten zur Bedienung eines Yamaha-Verstärkers

Bedient den Yamaha-Verstärker.

Für Einzelheiten beachten Sie die

Bedienungsanleitung Ihres Verstärkers.

Hinweis

Einige Yamaha-Verstärker können nicht über die Tasten auf der Fernbedienung gesteuert werden.

Siehe Seite 28 zu Informationen zur MP3-/WMA-Wiedergabe.

Bedienungselemente und ihre Funktionen

■ Programmwiedergabe

Im Programmwiedergabemodus können Sie Titel in einer programmierten Sequenz abspielen.

Hinweise

- Dieser Vorgang ist für MP3- oder WMA-Discs unwirksam.
- Die programmierten Titel werden in den folgenden Fällen gelöscht:
 - wenn die Disc ausgeworfen wird
 - wenn das Gerät ausgeschaltet wird oder in den STANDBY-Modus wechselt
 - wenn eine andere Audioquelle als die Disc ausgewählt wird
 - wenn der Wiedergabe-Layer einer Hybrid Super Audio CD zwischen SA-CD und CD umschaltet

1 Drücken Sie PROGRAM, während die Wiedergabe gestoppt ist.

Dieses Gerät ist in den Programmeditiermodus geschaltet.

2 Wählen Sie einen Titel mit den Zifferntasten und drücken Sie ENTER.

3 Wiederholen Sie Schritt 2, um den nächsten Titel zu programmieren.

Sie können bis zu 24 Titel programmieren.

4 Drücken Sie die Taste ▷ (Wiedergabe).

Die Wiedergabe wird ab dem Anfang der programmierten Sequenz gestartet.

■ Festlegen der DPLL-Bandbreite (Digital Phased Lock Loop)

Der Audio-DAC (ES9018) dieses Geräts nutzt DPLL, um genaue Taktsignale zu erzeugen, die mit dem Takt des eingespeisten Digitalaudiosignals synchronisiert sind. Die 7-schrittige DPLL-Bandbreiteneinstellung bietet dem Gerät Toleranz bei einer Fluktuation des Takts des digitalen Eingangssignals und eine Anpassung der Genauigkeit des Betriebstakts beim DAC.

1 Drücken Sie SOURCE, um die wiederzugebende Audioquelle auszuwählen.

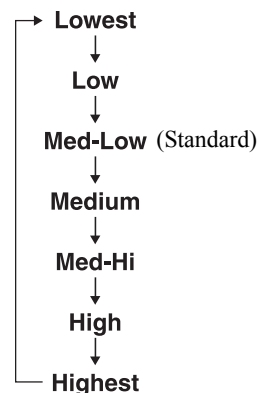
Die DPLL-Bandbreite kann jeweils für jede Audioquelle festgelegt werden.

2 Drücken Sie innerhalb von 5 Sekunden nach der Auswahl der Audioquelle ENTER.

Das Gerät wechselt in den Einstellungsmodus und die derzeit eingestellte DPLL-Bandbreite wird im Informationsdisplay angezeigt.

3 Wählen Sie die DPLL-Bandbreite über die Taste □□ (Pause) und □ (Stopp).

Bei jeder Betätigung der Taste □□ (Pause) wechselt die Bandbreite in der folgenden Reihenfolge. Wenn Sie die Taste □ (Stopp) drücken, wechselt sie in umgekehrter Reihenfolge.



4 Drücken Sie ENTER.

Der Einstellungswert blinkt 3 Sekunden lang. Danach kehrt das Gerät in den normalen Betriebsmodus zurück.

Um die Einstellung abubrechen, drücken Sie CLEAR.

Hinweise

- Wenn sich der DPLL-Bandbreiten-Einstellungswert „Lowest“ nähert, steigt die Genauigkeit des Betriebstaktes beim DAC, aber das Gerät ist anfälliger für eine Änderung des Taktes der externen Komponente. Bei dem Ton einer solchen Komponente kommt es schneller zu Tonsprüngen.
- Wenn sich der DPLL-Bandbreiten-Einstellungswert „Highest“ nähert, verschlechtert sich die Genauigkeit des Betriebstaktes beim DAC, aber das Gerät ist weniger anfällig für eine Änderung des Taktes der externen Komponente. Bei dem Ton einer solchen Komponente kommt es kaum zu Tonsprüngen.

■ Einstellen der AUTO POWER STANDBY-Funktion

Die Funktion AUTO POWER STANDBY kann auf EIN oder AUS eingestellt werden. Wenn EIN eingestellt ist und das Gerät 30 Minuten lang nicht bedient und kein Audiosignal erkannt wird, wechselt es automatisch in den STANDBY-Modus. Wenn AUS eingestellt ist, wechselt das Gerät nicht automatisch in den STANDBY-Modus.

1 Öffnen Sie die Disc-Schublade und entnehmen Sie die derzeit eingelegte Disc aus dem Gerät.

Überspringen Sie die Schritte 1 bis 3, wenn „NO DISC“ im Informationsdisplay angezeigt wird.

2 Schließen Sie die Disc-Schublade.

3 Drücken Sie SOURCE, um „DISC“ als Audioquelle auszuwählen.

„NO DISC“ wird im Informationsdisplay angezeigt.

4 Halten Sie die Taste □ (Stopp) oder ▷ (Wiedergabe) an der Vorderseite ungefähr 2 Sekunden lang gedrückt, um die Einstellung umzuschalten.

□ (Stopp)-Taste: Die Funktion AUTO POWER STANDBY wird zu EIN umgeschaltet und „AutoSTBY ON“ wird im Informationsdisplay angezeigt.

▷ (Wiedergabe)-Taste: Die Funktion AUTO POWER STANDBY wird zu AUS umgeschaltet und „AutoSTBY OFF“ wird im Informationsdisplay angezeigt.

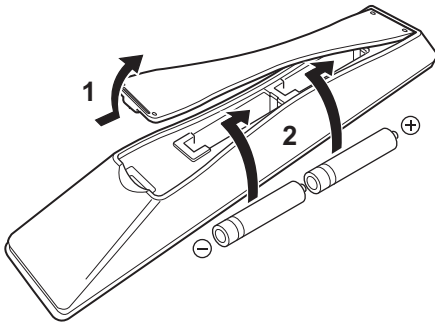
Hinweise

- Die Standardeinstellung für die Funktion AUTO POWER STANDBY ist EIN.
- Diese Einstellung wird auch beim Ausschalten des Geräts bewahrt.

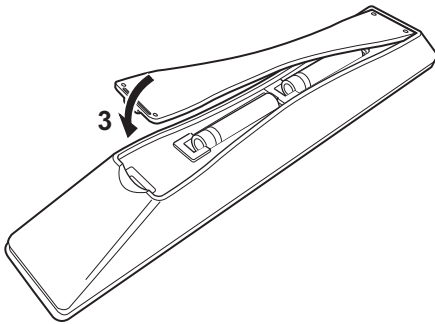
Bedienungselemente und ihre Funktionen

■ Einsetzen der Batterien in die Fernbedienung

- 1** Entfernen Sie die Abdeckung des Batteriefachs.
- 2** Setzen Sie die zwei mitgelieferten Batterien (AAA, R03, UM-4) mit der im Batteriefach bezeichneten Polarität (+ und -) ein.



- 3** Setzen Sie die Abdeckung des Batteriefachs wieder ein.



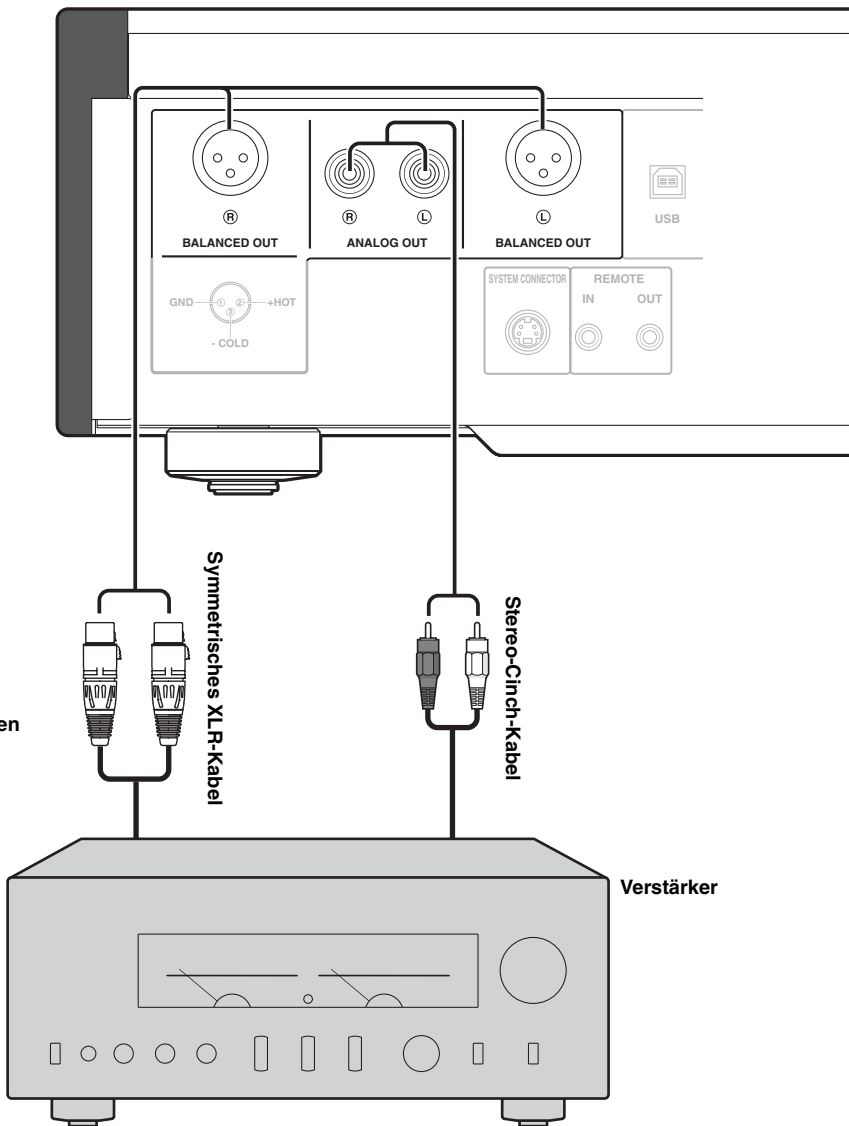
CD-S3000

Anschlüsse

In diesem Abschnitt stellen Sie die Verbindungen zwischen dem CD-S3000 und Ihrem Verstärker her.



Anschlüsse



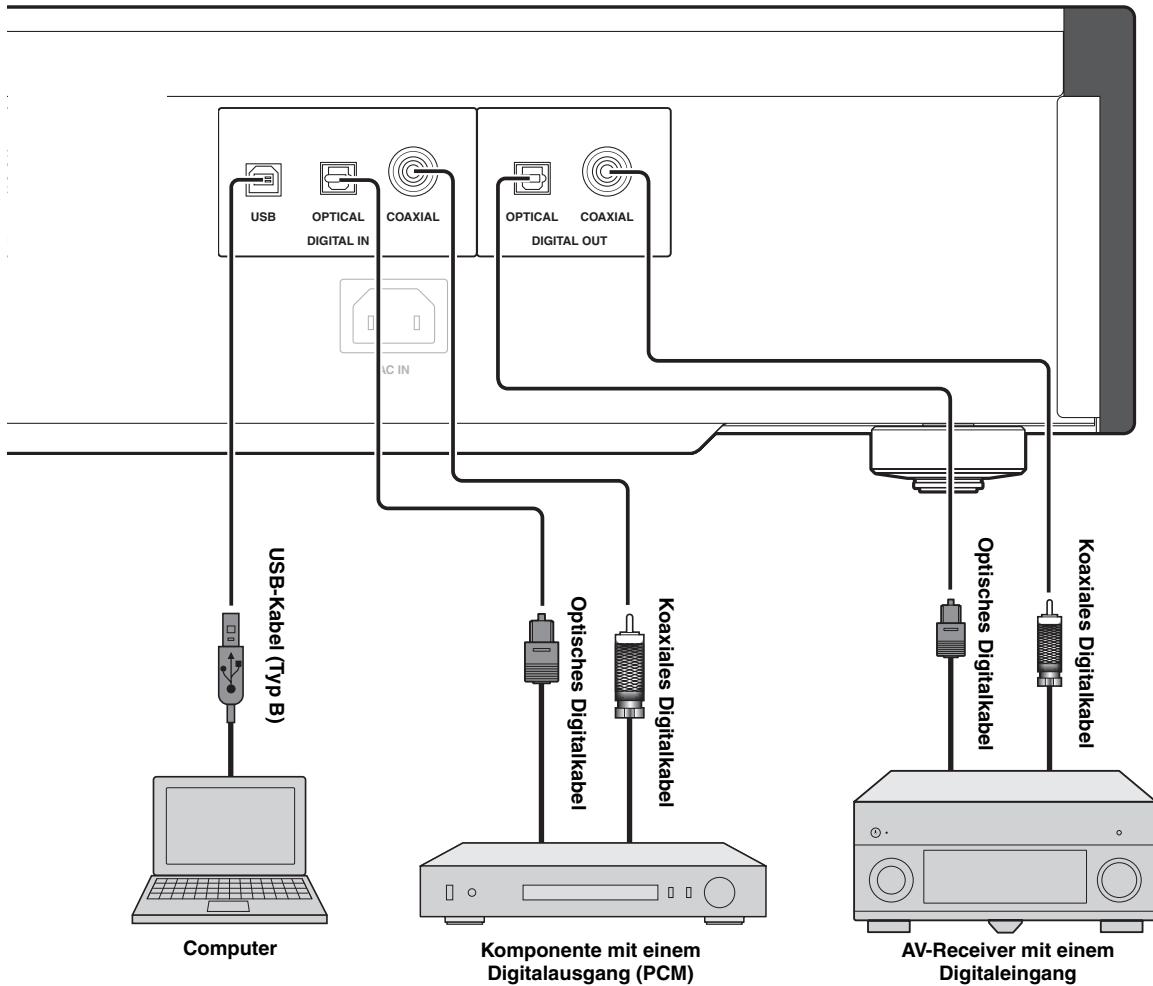
Wenn Ihr Verstärker mit symmetrischen XLR-Eingangsbuchsen ausgestattet ist, empfehlen wir die symmetrische Verbindung für eine optimale Audioleistung.

Wenn der SA-CD-Layer wiedergegeben wird, werden die Audiosignale nur über die Buchsen BALANCED OUT und ANALOG OUT ausgegeben.

Symmetrisches XLR-Kabel

Stereo-Cinch-Kabel

Verstärker

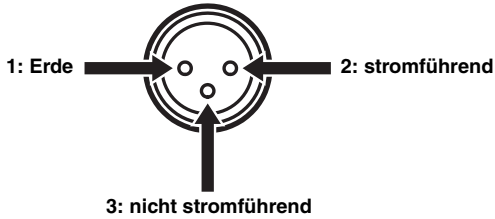


Hinweis

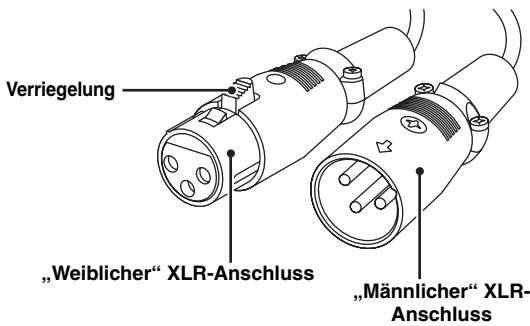
An die Buchsen DIGITAL IN (OPTICAL/COAXIAL) dieses Geräts können nur PCM-Signale eingespeist werden. Ausführliche Informationen zu den unterstützten PCM-Signalen siehe Seite 26.

■ Anschluss an die BALANCED OUT-Buchsen

Schließen Sie Ihren Verstärker an die symmetrischen XLR-Eingangsbuchsen an. Die Pinbelegungen für diese Buchsen werden unten gezeigt. Sehen Sie in der Bedienungsanleitung Ihres Verstärkers nach, um zu bestätigen, dass die symmetrischen XLR-Eingangsbuchsen mit den Pinbelegungen kompatibel sind.

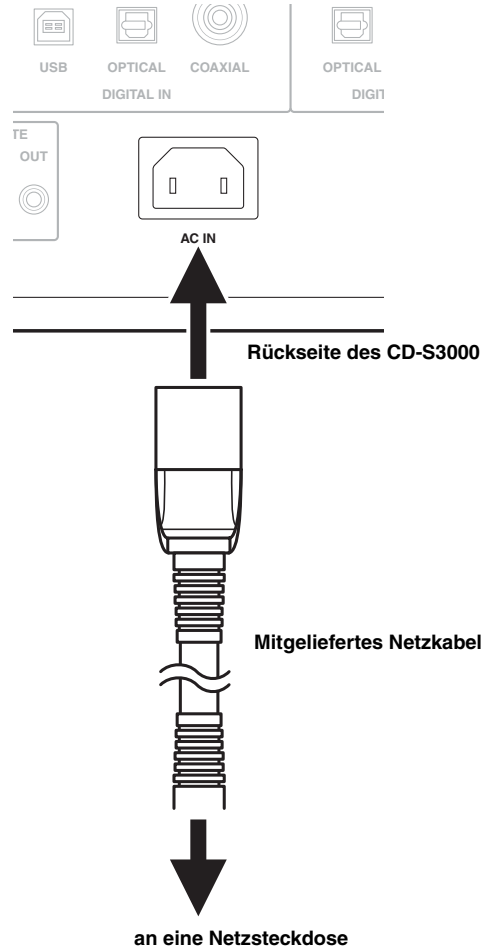


Beim Anschließen vergewissern Sie sich, dass die Pins richtig angesetzt sind und stecken Sie den Steckverbinder des „weiblichen“ symmetrischen XLR-Kabels vollständig ein. Beim Abziehen ziehen Sie das „weibliche“ symmetrische XLR-Kabel heraus, während Sie die Verriegelung am Stecker gedrückt halten.



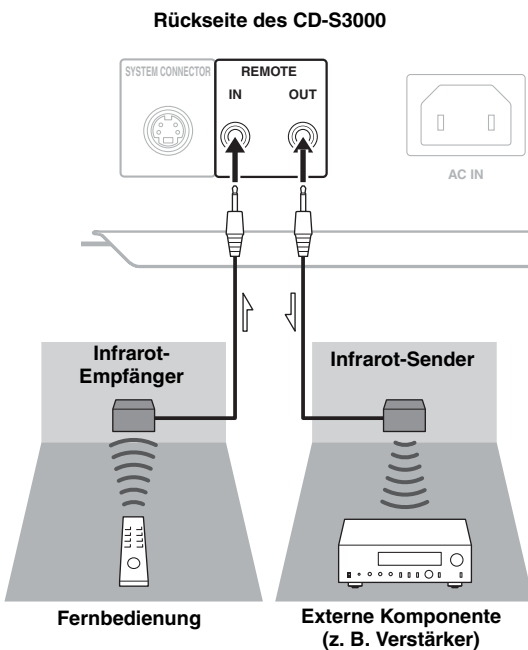
■ Anschließen des Netzkabels

Stecken Sie das Netzkabel in den AC IN-Eingang, nachdem alle anderen Anschlüsse fertig gestellt wurden, und schließen Sie danach das Netzkabel an eine Netzsteckdose an.



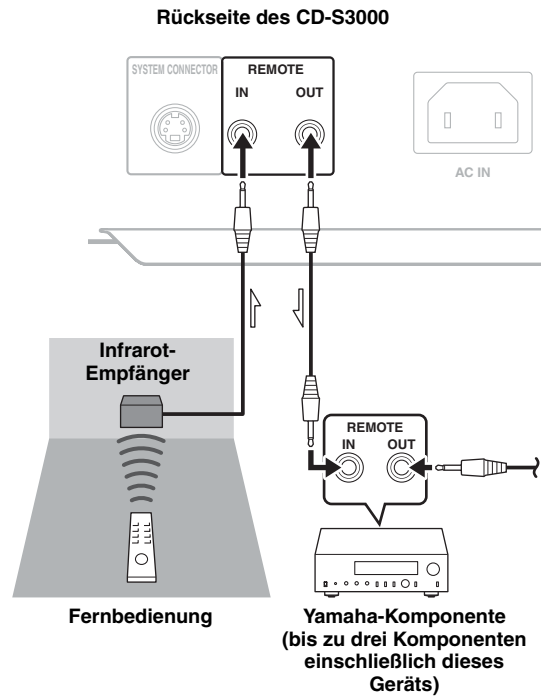
■ Bedienung des Geräts aus einem anderen Raum

Wenn Sie einen Infrarotempfänger und -sender an die REMOTE IN/OUT-Buchsen des Geräts anschließen, können Sie das Gerät und/oder eine externe Komponente über die mitgelieferte Fernbedienung bedienen, die sich in einem anderen Raum befindet.



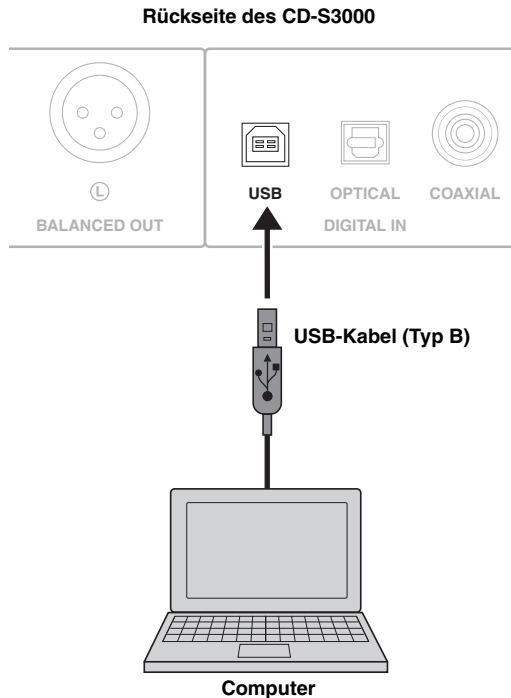
■ Fernbedienungsverbindung zwischen Yamaha-Komponenten

Wenn Sie über eine andere Yamaha-Komponente verfügen, die eine Fernbedienungsverbindung unterstützt, wie es bei diesem Gerät der Fall ist, ist kein Infrarot-Sender notwendig. Sie können die Fernbedienungssignale übertragen, indem Sie einen Infrarot-Empfänger und die REMOTE IN-Buchse der anderen Komponente über Kabel mit monauralen Ministeckern mit den REMOTE IN/OUT-Buchsen dieses Geräts verbinden. Es können bis zu drei Yamaha-Komponenten (einschließlich dieses Geräts) angeschlossen werden.



Wiedergabe von auf dem Computer gespeicherten Musikdateien

Wenn ein Computer an die USB-Buchse dieses Geräts angeschlossen ist, fungiert das Gerät als USB DAC, sodass auf dem Computer gespeicherte Musikdateien über einen an das Gerät angeschlossenen Verstärker wiedergegeben werden können.



■ Unterstützte Betriebssysteme

Die USB-Verbindung mit diesem Gerät kann für Computer mit den folgenden Betriebssystemen verwendet werden:

Windows: Windows Vista (SP2, 32 Bit/64 Bit)/
Windows 7 (32 Bit/64 Bit)/
Windows 8 (32 Bit/64 Bit)

Mac: OS X 10.5.8/10.6.8/10.7.x/10.8.x

Hinweise

- Der Betrieb kann bei anderen Betriebssystemen nicht garantiert werden.
- Abhängig von der Konfiguration oder der Computerumgebung kann der Betrieb auch bei den oben aufgeführten Betriebssystemen deaktiviert sein.
- Wenn der Computer an dieses Gerät angeschlossen wird, bevor der Treiber installiert wurde, erfolgt die Bedienung möglicherweise nicht ordnungsgemäß.

■ Installieren des dedizierten Treibers

Bevor Sie einen Computer an dieses Gerät anschließen, müssen Sie den dedizierten Treiber auf dem Computer installieren.

- 1 Rufen Sie die folgende URL auf, laden Sie sich den dedizierten Treiber „Yamaha Steinberg USB Driver“ herunter, entpacken Sie die Datei und führen Sie sie aus.**

Website zum Herunterladen des exklusiven Treibers

URL: <http://download.yamaha.com/>

- 2 Installieren Sie den heruntergeladenen Treiber „Yamaha Steinberg USB Driver“ auf dem Computer.**

Ausführliche Informationen finden Sie in der Installationsanleitung im Lieferumfang des heruntergeladenen Treibers.

- 3 Wenn die Installation abgeschlossen ist, beenden Sie alle laufenden Anwendungen.**

- 4 Stellen Sie das Audioausgabeziel des Computers auf „Yamaha CD Player“ ein.**

Bei einem Windows-Betriebssystem:

Systemsteuerung → Sound → Registerkarte [Wiedergabe]

Bei einem Mac-Betriebssystem:

Systemeinstellungen → Ton → Registerkarte [Ausgabe]

Die Einstellung kann abhängig vom Betriebssystem variieren. Ausführliche Informationen erhalten Sie vom Hersteller des Computers.



Die übertragbaren Abtastfrequenzen sind wie folgt:
44,1 kHz/48 kHz/88,2 kHz/96 kHz/176,4 kHz/192 kHz

Hinweise

- Wenn der Computer an dieses Gerät angeschlossen wird, bevor der Treiber installiert wurde, erfolgt die Bedienung möglicherweise nicht ordnungsgemäß.
- Wenn der Treiber auf einem Windows XP-Computer installiert wird, kann sich die Betriebsgeschwindigkeit des Computers verringern. Starten Sie den Computer in diesem Fall neu.
- Der „Yamaha Steinberg USB Driver“ kann ohne vorherige Ankündigung geändert werden. Ausführliche und aktuelle Informationen finden Sie auf der Download-Seite des Treibers.

■ Wiedergabe von auf dem Computer gespeicherten Musikdateien

1 Schließen Sie den Computer über ein USB-Kabel an das Gerät an.

2 Schalten Sie den Computer ein.

3 Schalten Sie dieses Gerät über den Schalter STANDBY/ON/OFF an der Vorderseite ein.

4 Wählen Sie „USB“ über die Taste SOURCE am Gerät.

5 Stellen Sie das Audioausgabeziel des Computers auf „Yamaha CD Player“ ein.

Bei einem Windows-Betriebssystem:

Systemsteuerung → Sound → Registerkarte [Wiedergabe]

Bei einem Mac-Betriebssystem:

Systemeinstellungen → Ton → Registerkarte [Ausgabe]

Die Einstellung kann abhängig vom Betriebssystem variieren. Ausführliche Informationen erhalten Sie vom Hersteller des Computers.

6 Bedienen Sie den Computer, um die Wiedergabe der Musikdateien zu starten.

Wenn das Musikschriftal vom Computer an das Gerät eingespeist wird, wird die Abtastfrequenz der wiedergegebenen Datei im Display des Geräts angezeigt.

■ Anpassen der Lautstärke

Um eine höhere Klangqualität zu erzielen, stellen Sie die Lautstärke des Computers auf das Maximum ein und steigern Sie dann die Lautstärke am Verstärker schrittweise von der Minimaleinstellung bis zum gewünschten Pegel.

Hinweise

- Trennen Sie das USB-Kabel nicht, schalten Sie das Gerät nicht aus und wechseln Sie den Eingang mit der SOURCE-Taste nicht, während die Wiedergabe am über das USB-Kabel angeschlossenen Computer läuft. Andernfalls kann es zu einer Fehlfunktion kommen.
- Um die Betriebssignale des Computers während der Musikwiedergabe stummzuschalten, ändern Sie die Einstellung am Computer.
- Wenn Musikdateien nicht ordnungsgemäß wiedergegeben werden können, starten Sie den Computer neu und führen Sie die aufgeführten Schritte erneut durch.
- Die auf einem Computer gespeicherten Musikdateien können nicht über dieses Gerät oder die Fernbedienung des Geräts gesteuert werden. Führen Sie die Bedienung am Computer durch.

CD-S3000

Technische Daten

In diesem Abschnitt finden Sie technische Daten für CD-S3000.



AUDIOABSCHNITT

- Frequenzgang (1 kHz, 0 dB)
 - SA-CD 2 Hz bis 50 kHz (-3 dB)
 - CD 2 Hz bis 20 kHz
- Wiedergabefrequenzbereich 2 Hz bis 96 kHz
- Klirrfaktor (1 kHz, 0 dB)
 - SA-CD 0,002 % oder weniger
 - CD 0,002 % oder weniger
- Signal-Rauschspannungsabstand (IHF-A Netzwerk) (1 kHz, 0 dB)
 - SA-CD/CD 116 dB oder mehr
- Dynamikbereich (1 kHz, 0 dB)
 - SA-CD 110 dB oder mehr
 - CD 100 dB oder mehr
- Ausgangspegel (1 kHz, 0 dB)
 - SA-CD/CD 2,0 ± 0,3 V

EIGENSCHAFTEN DER LASERDIODE

- Wellenlänge
 - SA-CD 655 nm
 - CD 790 nm
- Ausgangsleistung
 - SA-CD 1,89 mW (max.)
 - CD 1,36 mW (max.)

EINGANG-/AUSGANG-ABSCHNITT

- Digitaleingang (DIGITAL IN)
 - USB (Typ B) × 1 USB 2.0-konform
 - OPTICAL × 1
 - COAXIAL × 1
 - Unterstützte Audioabtastrate 44,1/48/88,2/96/176,4/192 kHz
 - Worttiefe 16 Bit/24 Bit
- Digitalausgang (DIGITAL OUT)
 - OPTICAL × 1
 - COAXIAL × 1
 - Unterstützte Audioabtastrate 44,1/48/88,2/96/176,4/192 kHz
 - Worttiefe 16 Bit/24 Bit
- Audioausgang
 - ANALOG OUT unsymmetrisch × 2 Kanäle (L/R)
 - BALANCED OUT symmetrisch × 2 Kanäle (L/R)
- Ferneinspeisung/-ausgabe
 - REMOTE IN
 - REMOTE OUT
- Systemanschluss
 - SYSTEM CONNECTOR

ALLGEMEINES

- Netzspannung/-frequenz
 - [Modelle für China, Korea, Asien, Australien, Großbritannien und Europa] 220 – 240 V Wechselstrom, 50/60 Hz
 - [Modelle für U.S.A, Kanada und Taiwan] 110 – 120 V Wechselstrom, 50/60 Hz
 - Leistungsaufnahme 30 W
 - Leistungsaufnahme im Standbybetrieb (Referenzdaten) 0,3 W
 - Abmessungen (B × H × T) 435 × 142 × 440 mm
 - Gewicht 19,2 kg
- * Änderungen bei technischen Daten bleiben vorbehalten.

Pflege dieses Gerätes**Polierte Oberflächenausführung der Seitenteile**

Die Verwendung eines (getrennt erhältlichen) Yamaha Unicon Tuchs wird empfohlen. Verwenden Sie bei starken Verschmutzungen ein (getrennt erhältliches) Yamaha Piano Unicon Tuch. Wenden Sie sich zum Kauf an den nächsten autorisierten Yamaha-Händler oder den -Kundendienst.

Andere Oberflächenausführungen

Verwenden Sie beim Abwischen dieses Gerätes keine chemischen Lösungsmittel (Alkohol, Terpentin usw.); andernfalls kann die Oberfläche beschädigt werden. Verwenden Sie einen sauberen, trockenen Lappen. Tränken Sie bei schwerer Verschmutzung einen weichen Lappen mit wässriger Spülmittellösung, wringen Sie ihn aus und wischen damit diese Einheit ab.

■ Unterstützte Disc-Typen

Dieses Gerät ist auf die Wiedergabe von Compact Discs mit den unten gezeigten Kennzeichnungen ausgelegt. Versuchen Sie niemals, andere Disc-Typen in dieses Gerät einzusetzen. Dieses Gerät kann auch Single-CDs (8 cm) abspielen.

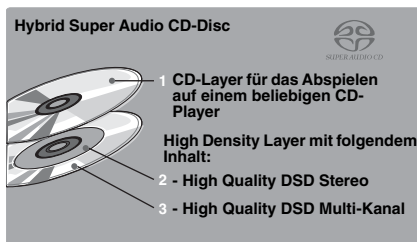
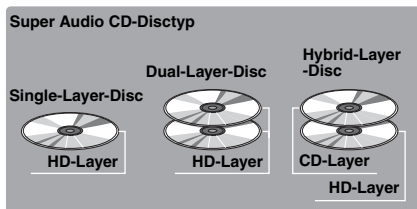
Super Audio CD



Audio-Format basierend auf den gegenwärtigen CD-Standards, schließt aber eine größere Informationsmenge für verbesserte Klangqualität ein. Es gibt drei Typen der Discs: Single-Layer-, Dual-Layer- und Hybrid-Discs. Die Hybrid-Disc kann auf vorhandenen CD-Playern sowie auch auf Super-Audio-CD-Playern abgespielt werden, da sie sowohl Standard-Audio-CD- als auch Super-Audio-CD-Informationen enthält.

Hinweis

Dieses Gerät zeigt keine Textdaten auf dem Frontblende-Display an.



Compact Discs (Digital-Audio)



Die beliebtesten Discs für handelsübliche Audio-CDs.

Digitale CD-R-, CD-RW-Audiodiscs



Musik-CDs, die durch Kopieren auf eine CD-R oder CD-RW (einschließlich Dateien im MP3- oder WMA-Format) angefertigt wurden.

Hinweise

- Verwenden Sie nur CD-R- oder CD-RW-Discs von namhaften Herstellern.
- Vergewissern Sie sich immer, dass nur eine CD-R- oder CD-RW-Disc verwendet wird, die mindestens eine der folgenden Aussagen auf der Disc oder der Disc-Hülle trägt.
 - FOR CONSUMER
 - FOR CONSUMER USE
 - FOR MUSIC USE ONLY
- Verwenden Sie nur eine finalisierte CD-R- oder CD-RW-Disc.

CD-TEXT-Discs



Die mit Textdaten wie Albumtiteln, Tracktiteln und Interpretennamen bespielten Discs. Diese Discs können mit gewöhnlichen CD-Playern abgespielt werden.

Hinweis

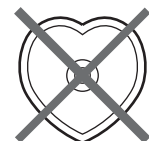
Dieses Gerät zeigt keine Textdaten auf dem Frontblende-Display an.

HINWEIS:

Dieses Gerät ist möglicherweise nicht in der Lage, bestimmte CD-RW-Discs abzuspielen oder Discs, auf denen die Aufnahme nicht korrekt ausgeführt wurde.

Zum Verhindern einer Fehlfunktion an diesem Gerät:

- Verwenden Sie keine nicht-standardmäßigen Discs (wie etwa herzförmige), die gelegentlich angeboten werden, da diese das Gerät beschädigen können.
- Verwenden Sie niemals eine Disc mit auf der Oberfläche angebrachtem Klebeband, Aufklebern oder Klebstoff. Eine derartige Disc kann im Gerät festsitzen oder dieses beschädigen.



Abspielbares Disc-Format

■ Über MP3- und WMA-Discs

Sie können auf einer CD-R oder CD-RW aufgezeichnete MP3- und WMA-Dateien mit ähnlichen Verwendungen wie einer Musik-CD wiedergeben.

MP3

MP3 (MPEG-1 Audio Layer-3) ist eine Standard-Technologie mit einem Format, das Audio-Sequenzen in Dateien geringer Größe komprimiert. Dabei wird jedoch das ursprüngliche Niveau der Klangqualität bei der Wiedergabe beibehalten.

Hinweise

- Dieses Gerät spielt MP3-Dateien in alphanumerischer Reihenfolge ab.
- Bis zu 648 Ordner und Dateien (kombiniert) und bis zu 299 Ordner werden erkannt; manche Ordner und Dateien werden aber je nach ihrer Verzeichnisstruktur nicht erkannt.
- Abhängig von den Aufnahmebedingungen, wie z. B. den Einstellungen der Aufnahme-Software, kann dieses Gerät vielleicht die Disc oder die Dateien nicht in der aufgezeichneten Reihenfolge wiedergeben.
- Dieses Gerät ist mit einer Samplingfrequenz von 44,1 kHz kompatibel.
- Dieses Gerät ist mit einer Bitrate von 32, 40, 48, 56, 64, 80, 96, 112, 128, 160, 192, 224, 256 oder 320 kbps kompatibel. Variable Bitrate wird nicht unterstützt.
- Die Disc muss mit ISO9660 kompatibel sein.
- Die in den Dateien enthaltenen Textdaten werden nicht auf diesem Gerät angezeigt.

WMA

WMA (Windows Media Audio) ist ein Microsoft-Dateiformat zur Codierung digitaler Audiodateien ähnlich wie MP3, obwohl WMA Dateien mit einer höheren Rate als MP3 komprimieren kann.

Hinweise

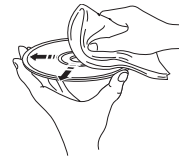
- Dieses Gerät spielt WMA-Dateien in alphanumerischer Reihenfolge ab.
- Bis zu 648 Ordner und Dateien (kombiniert) und bis zu 299 Ordner werden erkannt; manche Ordner und Dateien werden aber je nach ihrer Verzeichnisstruktur nicht erkannt.
- Dieses Gerät ist mit einer Abtastfrequenz von 44,1 kHz kompatibel.
- Dieses Gerät ist mit einer Bitrate von 48, 64, 80, 96, 128, 160, oder 192 kbps kompatibel. Variable Bitrate wird nicht unterstützt.
- Die Disc muss mit ISO9660 kompatibel sein.
- Urheberrechtlich geschützte WMA-Dateien können mit diesem Gerät nicht abgespielt werden.
- Die in den Dateien enthaltenen Textdaten werden nicht auf diesem Gerät angezeigt.

■ Behandlung von Compact Discs

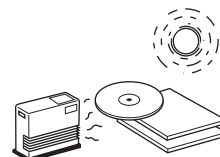
- Behandeln Sie eine Disc immer vorsichtig, um ein Verkratzen der Oberfläche zu vermeiden.



- Compact Discs werden bei der Wiedergabe kaum verschlissen, aber Schäden an der Oberfläche durch grobe Behandlung können die Disc-Wiedergabe beeinträchtigen.
- Verwenden Sie zum Schreiben auf der Beschriftungsseite einer Disc nur einen Filzschreiber o. ä. Verwenden Sie keinen Kugelschreiber, Bleistift oder ähnliches Schreibgeräte mit harter Spitze, da diese die Disc beschädigen und die Wiedergabe beeinträchtigen können.
- Verbiegen Sie die Discs nicht.
- Wenn eine Disc momentan nicht verwendet wird, entnehmen Sie sie aus dem Gerät und lagern Sie sie in einer passenden Hülle.
- Beim Entnehmen oder Ablegen einer Disc immer darauf achten, nicht die Wiedergabeoberfläche zu zerkratzen.
- Compact Discs werden durch kleine Staubpartikel oder Fingerabdrücke nicht beeinflusst, aber trotzdem müssen sie sauber gehalten werden. Wischen Sie die Disc-Oberfläche mit einem sauberen, trockenen Tuch ab. Wischen Sie die Disc-Oberfläche nicht mit kreisförmigen Bewegungen ab; wischen Sie sie von der Mitte nach außen ab.



- Versuchen Sie nicht, die Disc-Oberfläche mit Disc-Reinigungsmitteln, Schallplattenspray, Antistatikspray oder -flüssigkeiten oder anderen Chemikalien zu reinigen, da dadurch die Disc-Oberfläche irreparabel beschädigt werden kann.
- Setzen Sie Discs nicht längere Zeit direktem Sonnenlicht, hohen Temperaturen oder hoher Luftfeuchtigkeit aus, da die Discs durch solche Bedingungen verformt oder anderweitig beschädigt werden können.



- Zur Wiedergabe einer 8-cm-Compact-Disc (Single-CD) setzen Sie diese in den vertieften Teil der Disc-Schublade ein. Setzen Sie keine normale 12-cm-CD über einer 8-cm-CD ein.

Schlagen Sie in der nachfolgenden Tabelle nach, wenn dieses Gerät nicht richtig funktionieren sollte. Falls das aufgetretene Problem in der nachfolgenden Tabelle nicht aufgeführt ist oder die nachfolgenden Instruktionen nicht helfen, schalten Sie das Gerät aus, ziehen Sie den Netzstecker, und wenden Sie sich an den nächsten autorisierten Yamaha-Fachhändler oder-Kundendienst.

Problem	Ursache	Abhilfe	Siehe Seite
Das Gerät kann nicht eingeschaltet werden, wenn STANDBY/ON/OFF nach oben gedrückt ist.	Das Netzkabel ist nicht oder nicht richtig an der Steckdose angeschlossen.	Das Netzkabel richtig anschließen.	20
Dieses Gerät wechselt automatisch in den STANDBY-Modus.	Die automatische Standby-Funktion wurde aktiviert.	Wenn das Gerät 30 Minuten lang nicht bedient und kein Audiosignal erkannt wird, wechselt es automatisch in den STANDBY-Modus.	6
Die Disc-Schublade wird nicht vollständig geschlossen.	Ein Fremdkörper hat sich in der Disc-Schublade verklemt.	Die Disc-Schublade vorsichtig überprüfen und den Fremdkörper entfernen.	—
Die Wiedergabe beginnt nicht.	Die CD ist beschädigt.	Die CD vorsichtig prüfen und ggf. eine andere CD verwenden.	—
	Am Laser-Abtaster hat sich Kondensat niedergeschlagen.	Nach dem Einschalten 20 bis 30 Minuten mit dem Beginn der Wiedergabe warten.	—
	Die CD wurde verkehrt eingelegt.	Die CD mit der Beschriftung nach oben gerichtet einlegen.	—
	Die CD ist verschmutzt.	Die CD reinigen.	28
	Die Formate MP3 oder WMA sind nicht mit diesem Gerät kompatibel.	Eine standardmäßige CD verwenden, die sich mit diesem Gerät wiedergeben lässt.	28
	Die CD-RW (wiederbeschreibbare CD) wurde nicht richtig aufgezeichnet.	Eine standardmäßige CD verwenden, die sich mit diesem Gerät wiedergeben lässt.	27
	Es handelt sich um eine nicht standardmäßige CD, die mit diesem Gerät nicht wiedergegeben werden kann.	Eine standardmäßige CD verwenden, die sich mit diesem Gerät wiedergeben lässt.	27
Der Beginn der Wiedergabe ist verzögert bzw. die Wiedergabe beginnt an der falschen Stelle.	Die CD ist zerkratzt oder beschädigt.	Die CD vorsichtig prüfen und ggf. eine andere CD verwenden.	28
Keine Tonwiedergabe	Die Verbindungskabel sind falsch angeschlossen.	Die Kabel richtig anschließen. Wenn die Störung damit nicht behoben wird, können die Kabel defekt sein.	18
	Bedienungsfehler des Verstärkers	Den Verstärker auf die richtige Eingangsquelle einstellen.	—
Keine Tonwiedergabe von der an die digitalen Eingangsbuchsen angeschlossenen Komponente	Das Gerät befindet sich im PURE DIRECT-Modus.	Deaktivieren Sie den PURE DIRECT-Modus.	7
	Der Super-Audio-CD-Layer wird wiedergegeben.	Wechseln Sie den Layer für die Wiedergabe.	7

Problem	Ursache	Abhilfe	Siehe Seite
Der Ton „setzt aus“.	Dieses Gerät ist Vibrationen oder Stößen ausgesetzt.	Das Gerät an einem anderen Ort aufstellen.	—
	Die CD ist verschmutzt.	Die CD reinigen.	28
	Der Takt des Wiedergabeaudiosignals schwankt.	Ändern Sie die DPLL-Bandbreite des Audio-DAC (ES9018).	14
Der Ton „brummt“.	Die Verbindungskabel sind falsch angeschlossen.	Die Kabel richtig anschließen. Wenn die Störung damit nicht behoben wird, können die Kabel defekt sein.	18
Störgeräusche vom Tuner	Der Tuner befindet sich zu nahe an diesem Gerät.	Den Tuner weiter von diesem Gerät entfernt aufstellen.	—
Geräusche von der Disc-Schublade	Die CD ist verzogen.	Eine andere CD verwenden.	28
Kein Ton der Komponente, die an die Buchsen DIGITAL IN (OPTICAL oder COAXIAL) angeschlossen ist	Die Einstellung der Ausgabe-Audioquelle der angeschlossenen Komponente ist nicht „PCM“.	Nur PCM-Audioquellen können über die Buchsen DIGITAL IN (OPTICAL/COAXIAL) dieses Geräts wiedergegeben werden. Stellen Sie die Ausgabe-Audioquelle der angeschlossenen Komponente auf „PCM“ ein.	—
Keine Funktion der Fernbedienung	Die Batterien der Fernbedienung sind erschöpft.	Die Batterien durch neue ersetzen.	16
	Fernbedienung in zu großem Abstand oder nicht richtig gerichtet betätigt.	In einem Abstand bis zu 6 m und einem Radius von 60° verwenden.	9
	Direktes Sonnenlicht oder die Beleuchtung (von einer Inverter-Leuchtstoffröhre usw.) fällt direkt auf den Fernbedienungssensor dieses Gerätes.	Stellen Sie das Gerät an einer anderen Stelle auf.	9

■ Zur USB-Verbindung

Problem	Ursache	Abhilfe	Siehe Seite
Der angeschlossene Computer erkennt das Gerät nicht.	Das Betriebssystem des Computers wird nicht unterstützt.	Verwenden Sie einen Computer mit einem Betriebssystem, für das der Betrieb garantiert wird.	22
	Die USB-Verbindung ist nicht ordnungsgemäß.	Schließen Sie das USB-Kabel richtig an.	19, 22
	Die Ausgabe des Computers oder der Anwendung ist stummgeschaltet.	Heben Sie die Stummschaltung des Computers oder der Anwendung auf.	—
Verrauschte Wiedergabe	Während der Wiedergabe einer Musikdatei wurde eine andere Anwendung auf dem Computer gestartet.	Wenn während der Wiedergabe einer Musikdatei eine andere Anwendung auf dem Computer gestartet wird, kann der Ton vorübergehend unterbrochen werden oder es kann zu Rauschen kommen. Starten Sie während der Wiedergabe keine anderen Anwendungen.	—
Musikdateien können nicht wiedergegeben werden	Die Musikdaten werden nicht ordnungsgemäß wiedergegeben, da dieses Gerät mit einem Computer verbunden wurde oder der Eingang des Geräts zu „USB“ umgeschaltet wurde, während die Musikanwendung auf dem Computer ausgeführt wurde.	Verbinden Sie im Vorfeld das Gerät mit dem Computer und stellen Sie den Eingang des Geräts auf „USB“ ein. Starten Sie dann die Musik-Anwendung und starten Sie die Wiedergabe.	23
	Der dedizierte „Yamaha Steinberg USB Driver“ wurde nicht ordnungsgemäß installiert.	Installieren Sie den „Yamaha Steinberg USB Driver“ erneut und befolgen Sie dabei die vorgegebenen Schritte.	22

■ Meldungen im Informationsdisplay

Meldung	Status
NO DISC	In der Disc-Schublade befindet sich keine Disc.
Check Cable	Der spezielle „Yamaha Steinberg USB Driver“ wurde nicht ordnungsgemäß installiert. Oder die Audioausgabe des Computers wurde nicht auf „Yamaha CD Player“ gesetzt.
Check PC	Das Audiosignal des Computers kann nicht erkannt werden.
Fs: ----kHz	Es wird kein Audiosignal erkannt.

En levande tradition inom ljud

Ett piano kommer in i denna värld genom den perfekta synergin mellan avancerad teknisk skicklighet och artisteri. Ett sådant piano kan skapa ljud som verkligen återspeglar musikerns känslor.

Det slutliga steget i pianotillverkningen kallas "voicing". Det är här som instrumentet får sin själ.

En kunnig expert koncentrerar sitt sinne och känslighet för ljudet från varje tangent, finjusterar den dynamiska känslan hos varje hammare, kombinerar tonen och klangen hos samtliga 88 tangenter till perfektion – en verkligt enastående bedrift.

Det är ett ljud som endast kan bestämmas genom ett exakt och känsligt öra. Vi tillämpar samma koncept i tillverkningen av våra ljudprodukter. Teknikern utför uttömmande lyssnartester och varje komponent kontrolleras för att slutligen nå det perfekta ljudet.

Yamahas tradition av ljudkvalitet sträcker sig över 125 år tillbaka i den och fortsätter att leva vidare i alla Yamaha-produkter idag.



Framstående bedrifter inom audio

1920-
1960s

Första Hifi-systemet presenterades 1920

Vi presenterade ett flertal Hifi-komponenter (skivspelare, FM/AM-tuners, integrerade förstärkare, förförstärkare, effektförstärkare och högtalare) under åren 1955–1965.

Natural Sound-högtalarserien presenterades 1967

NS-20 Monitorhögtalare



NS-20



CA-1000

1970s

CA-1000 Integrerad förstärkare

Med sin Klass-A-drift sätter CA-1000 standarden för integrerade förstärkare.

NS-690 Natural Sound-högtalare



NS-690



NS-1000M

NS-1000M Monitorhögtalare

En sant legendarisk högtalare som fortfarande beundras av Hifi-entusiaster.

B-1 Effektförstärkare

En nyskapande effektförstärkare som använde vertikala FET-transistorer i samtliga steg.



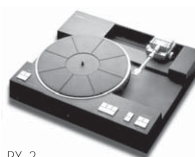
B-1



C-2

C-2 Kontrollförstärkare

Tilldelades främsta priset vid Milan International Music and HiFi Show.



PX-2



NS-10M

NS-10M Monitorhögtalare för studio

Blev en av de populäraste studiomonitorerna i världen.

A-1 Integrerad förstärkare

PX-2 Skivspelare

Yamahas första skivspelare med rak arm.



A-1



B-6



B-2x

1980s

B-6 Effektförstärkare

Pyramidformad effektförstärkare.

GT-2000/L Skivspelare

Första CD-spelaren (**CD-1**) presenterades 1983



MX-10000



CX-10000

B-2x Effektförstärkare

MX-10000 Effektförstärkare och
CX-10000 Förförstärkare

Omdefinierade möjligheterna hos separata komponenter.

AX-1 Integrerad förstärkare



Soavo-1



A-S2000

1990s

GT-CD1 CD-spelare

MX-1 Effektförstärkare och
CX-1 Förförstärkare



CD-S2000

2000s

Soavo-1 och **Soavo-2** Natural Sound-högtalarsystem

A-S2000 Stereoförstärkare och
CD-S2000 Super Audio CD-spelare

2010s

NP-S2000 Nätverksspelare



NP-S2000

CD-S3000

- ◆ *Balanserad signalöverföring i samtliga steg från DAC:en uppnår det högsta i CD-återgivning*
- ◆ *Oberoende strömförsörjning med digitalt och analogt fullständigt separerat.*
- ◆ *Exklusiv Yamaha-laddningsmekanism och CD-läsare med hög precision*
- ◆ *Vänster-höger symmetrisk design med fast, stabil konstruktion*
- ◆ *Pure Direct*
- ◆ *Superljud från Super Audio CD*
- ◆ *Kraftiga fötter med nyutvecklade antivibrationsspikes*
- ◆ *DSD-uppspelning via 192 kHz, 24-bitars USB-DAC*

■ Medföljande tillbehör

Var god kontrollera att följande saker finns med i förpackningen.

- Nätkabel
- Fjärrkontroll
- Batterier (AAA, R03, UM-4) (×2)
- Stereokabel med stiftkontakter
- SÄKERHETSANVISNINGAR

Innehåll

Reglage och funktioner	6
Anslutningar	18
Uppspelning av musikfiler lagrade på en PC	22
Tekniska data	26
Spelbara skivformat.....	27
Felsökning.....	29

■ Angående denna bruksanvisning

- ✨ indikerar tips för användningen.
- Färgen i bilderna i denna bruksanvisning kan skilja sig från originalet.
- Läs igenom "SÄKERHETSANVISNINGAR" innan förstärkaren tas i bruk.

CD-S3000

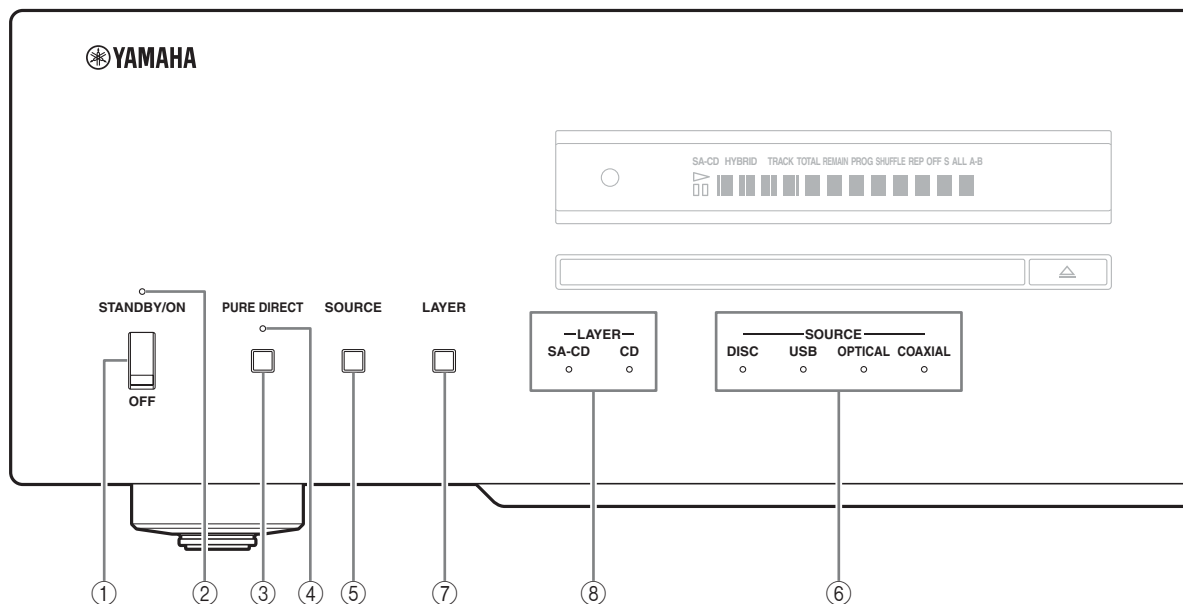
Reglage och funktioner

I detta avsnitt ges information om CD-S3000:s reglage och funktioner.



Reglage och funktioner

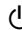
■ Frontpanel (sidorna 6 till 9)



① STANDBY/ON/OFF-omkopplare

Slår på eller stänger av den här enheten.

STANDBY/ON (övre läge):

I det här läget kan du välja STANDBY eller ON, med  CD-knappen på fjärrkontrollen.

OFF (nedre läge):

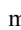
Strömmen till denna apparat är avslagen.

Anmärkningar

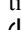
- När denna enhet har slagits på dröjer det några sekunder innan något ljud kan matas ut från denna enhet.
- Om den här enheten inte används på 30 minuter utan att någon ljudsignal upptäcks placeras den i STANDBY-läge (sidan 15).
- Om du kopplar bort strömkabeln från eluttaget och ansluter den igen när enheten är i STANDBY-läge, slås strömmen till enheten på (sidan 20). Om enheten inte ska användas under en lång tid, ställ in STANDBY/ON/OFF-omkopplaren på OFF.

② STANDBY/ON-indikator

Lysar starkt:

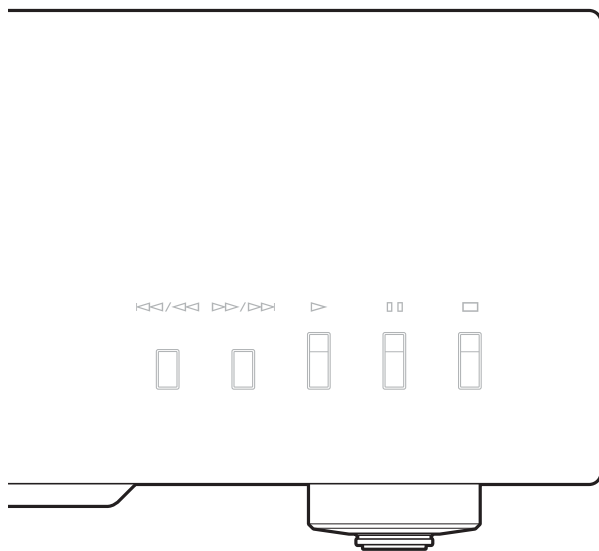
Visar att strömmen till enheten är på. I det här tillståndet kan du växla enheten till STANDBY-läget med  CD-knappen på fjärrkontrollen.

Lysar svagt:

Visar att enheten är i STANDBY-läge. I det här tillståndet kan du slå på enheten genom att trycka på  CD-knappen på fjärrkontrollen.

Släckt:

Visar att strömmen till enheten är i läge OFF. I det här tillståndet kan du slå på enheten genom att använda knappen STANDBY/ON/OFF.



③ PURE DIRECT-knapp

Slår på läget PURE DIRECT för att förbättra ljudkvaliteten.

När den här enheten är i läget PURE DIRECT:

- Ingen signal matas ut från uttagen DIGITAL OUT (OPTICAL och COAXIAL) på baksidan (sidan 10).
- Några få indikeringar och meddelanden visas på frontpanelens display.



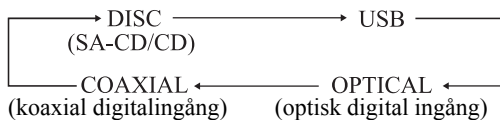
- Tryck igen för att koppla ur läget PURE DIRECT.
- Denna inställning bibehålls även när denna enhet slås av.

④ PURE DIRECT-indikator

Lyser när läget PURE DIRECT aktiveras.

⑤ SOURCE-knapp

Väljer den ljudkälla som ska spelas upp. Varje gång du trycker på den här knappen växlas ljudkällan.



Inställningen för ljudkälla bibehålls även när denna enhet slås av.

⑥ SOURCE-indikatorer

Indikatorn för den ingångskälla som valts med SOURCE tänds.

⑦ LAYER-knapp

Växlar uppspelningslagret för en hybrid-Super Audio CD mellan SA-CD och CD när uppspelningen är stoppad (sidan 27).



Denna inställning bibehålls även när denna enhet slås av.

Anmärkning

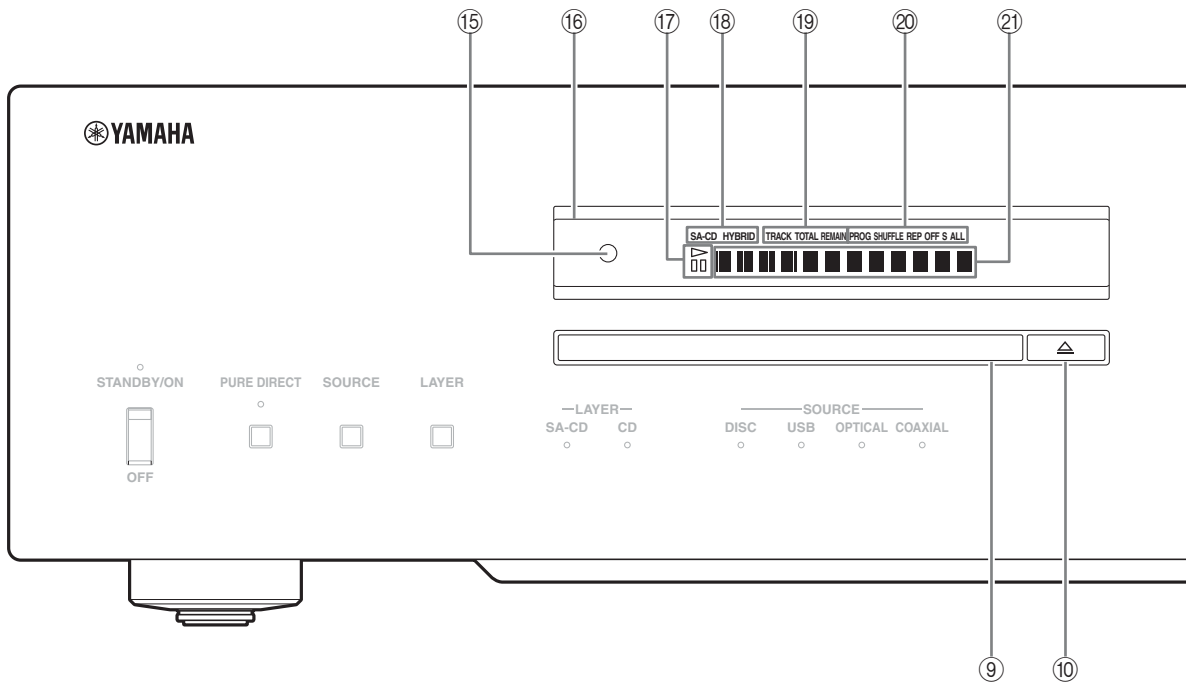
När SA-CD-lagret är valt skickas ljudsignaler bara ut från BALANCED OUT- och ANALOG OUT-uttagen.

⑧ LAYER-indikatorer

Indikatorn för det lager som valts med LAYER tänds.

Reglage och funktioner

■ Frontpanel (sidorna 6 till 9)



⑨ Skivfack

Matar in en skiva.

⑩ ▲ (Öppna/stäng)-knapp

Öppnar eller stänger skivfacket.



Skivfacket stängs även automatiskt när du trycker på:

- knappen ▷ (Spela upp) på frontpanelen eller på fjärrkontrollen.
- lätt på skivfackets främre kant.
- en sifferknapp på fjärrkontrollen.

⑪ ◀◀/◀ (Hoppa/sök bakåt)-knappen

Tryck en gång för att hoppa bakåt till början av det aktuella spåret.

Tryck två gånger för att hoppa till början av det föregående spåret.

Håll intryckt för att söka bakåt.

▶▶/▶ (Hoppa/sök framåt)-knappen

Tryck en gång för att hoppa till nästa spår.

Håll intryckt för att söka framåt.

⑫ ▷ (Spela upp)-knapp

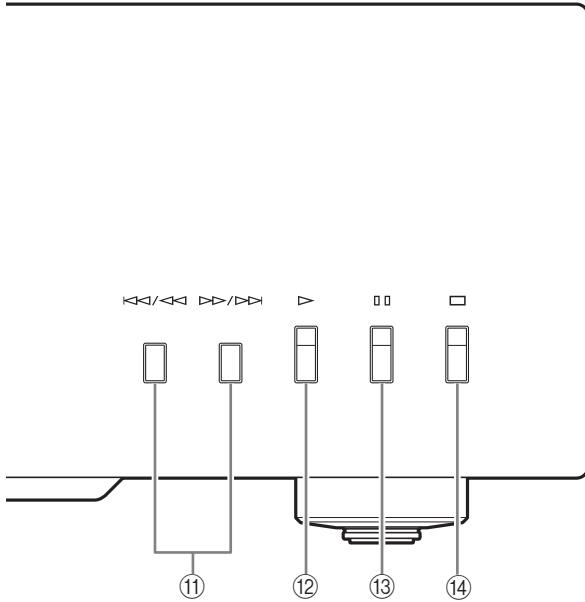
Startar uppspelning.

⑬ ◻◻ (Paus)-knapp

Pausar uppspelning. Tryck på ▷ eller ◻◻ för att återuppta uppspelningen.

⑭ ◻ (Stopp)-knapp

Stoppar uppspelning.



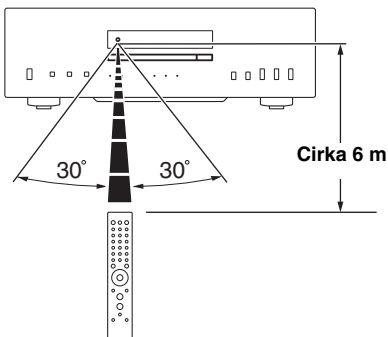
15 Fjärrkontrollsensor

Sensorn tar emot signaler från fjärrkontrollen.



Fjärrkontrollen sänder en riktad infraröd stråle.

Se till att rikta fjärrkontrollen direkt mot fjärrkontrollsensorn på denna enhets framsida, när fjärrkontrollen används för manövrering.



16 Display

Ljusstyrkan kan justeras med DIMMER på fjärrkontrollen (sidan 12).

17 ▷ (uppspelning)/□□ (paus)-indikator

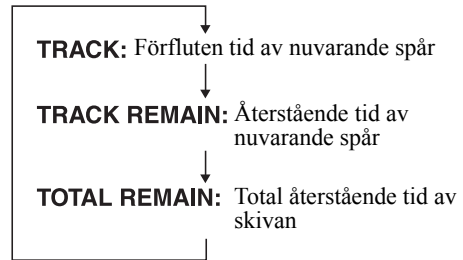
Lyser i uppspelnings-/pausläge.

18 Indikator för skivtyp

Indikerar typen (SA-CD/CD/HYBRID) av skiva i skivfacket.

19 Indikator för tidvisningssätt

Indikerar displayens tidvisningsläge. Ändra läget genom att trycka på DISPLAY på fjärrkontrollen (sidan 13).



20 Indikator för uppspelningsläge

Indikerar det aktuella uppspelningsläget.

PROG: Programmerad uppspelning (sidan 14)

SHUFFLE: Slumpmässig uppspelning (sidan 13)

REP OFF: Stäng av upprepad uppspelning (sidan 12)

REP S: Uppspelning med repetition av ett spår (sidan 12)

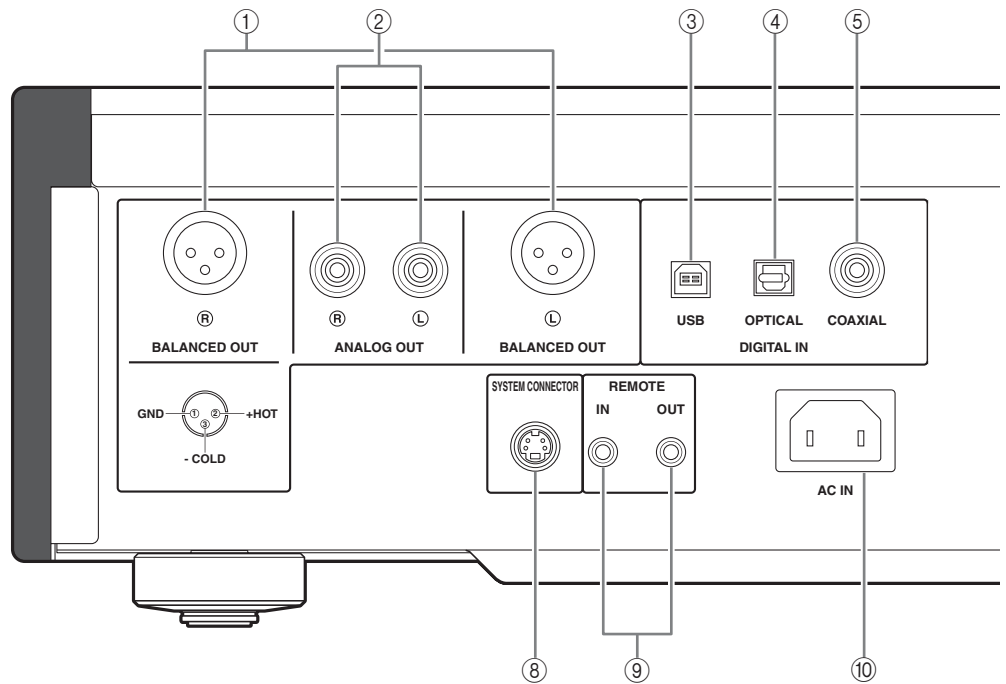
REP ALL: Uppspelning med repetition av alla spår (sidan 12)

21 Informationsvisning

Se sidan 28 för närmare information om MP3/WMA-uppspelning.

Reglage och funktioner

■ Bakpanelen



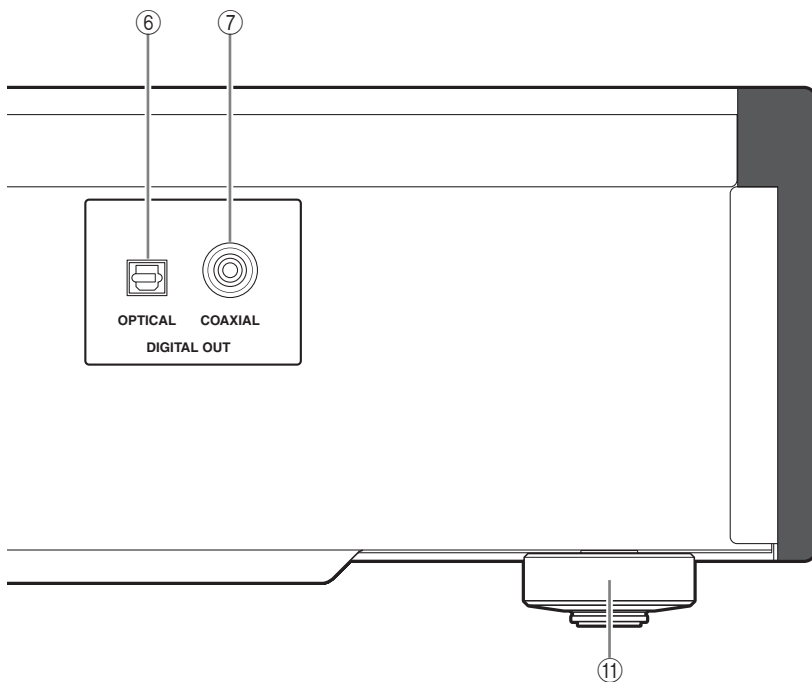
Se sidan 18 för information om anslutningar.

- ① **BALANCED OUT-uttag (hane)**
- ② **ANALOG OUT-uttag**
- ③ **DIGITAL IN USB-uttag (typ B)**
- ④ **DIGITAL IN OPTICAL-uttag**
- ⑤ **DIGITAL IN COAXIAL-uttag**
- ⑥ **DIGITAL OUT OPTICAL-uttag**
- ⑦ **DIGITAL OUT COAXIAL-uttag**

Anmärkning

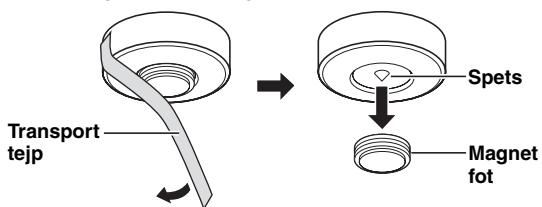
Medan du spelar upp Super Audio CD-lagret skickas ljudsignalerna bara ut från BALANCED OUT- och ANALOG OUT-uttagen.

- ⑧ **SYSTEM CONNECTOR**
Använd den här kontakten för att ansluta en produktprovningseenhet vid service.
- ⑨ **REMOTE IN/OUT-uttag**
Använd dessa uttag för anslutning av en extern komponent för fjärrkontroll.
För mer information om anslutning, se sidan 21.
- ⑩ **AC IN-ingång**
Den medföljande nätkabeln ansluts till detta nätintag.
Se sidan 20 för information om anslutningar.



11 Fot

Fötterna på denna enhet är försedda med spetsar. Om dessa spetsar används, kan det minska den inverkan som vibrationer har på anläggningen. När spetsarna ska användas, ta bort transporttejpen och ta sedan bort den magnetiska foten genom att lossa den.



Observera

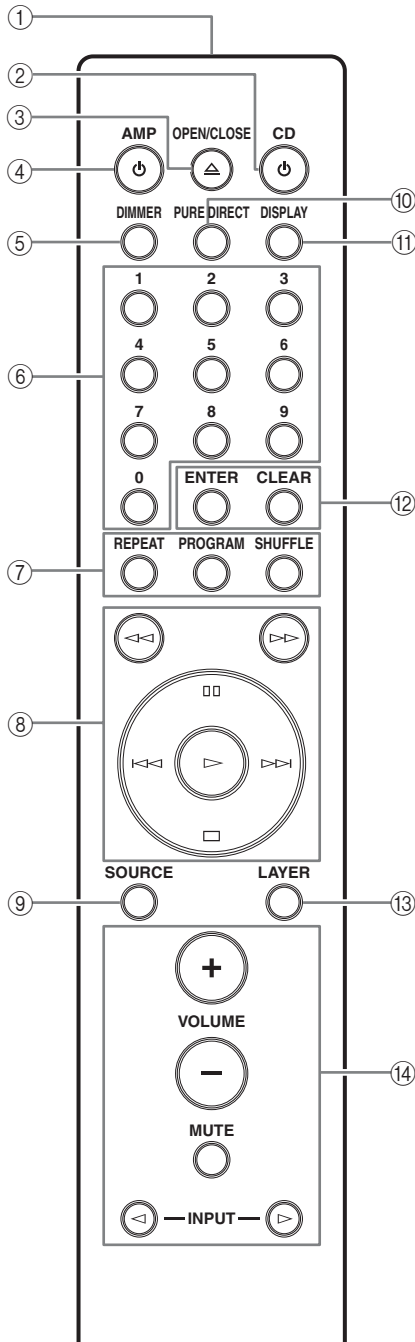
När de i fötterna inbyggda spetsarna används, kan det hända att spetsarna orsakar repor på hyllan eller golvet där denna enhet är uppställd. Använd magnetfoten eller lämpliga stöd när denna enhet ställs på finare möbler etc.



Om denna enhet inte står plant, justera då höjden på foten genom att vrida den.

Reglage och funktioner

■ Fjärrkontroll



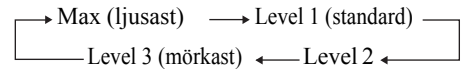
- ① **Sändare för infraröda signaler**
Sänder signaler till denna enhet.
- ② **CD-knappen**
Slår på enheten eller växlar den till STANDBY-läge. För mer information om STANDBY-läget, se "Frontpanel" (sidan 6).

- ③ **△ OPEN/CLOSE-knapp**
Öppnar eller stänger skivfacket.
- ④ **⏻ AMP-knappen**
Ställer Yamaha-förstärkaren i läge på eller växlar den till STANDBY-läget.

Anmärkning

Vissa Yamaha-förstärkare kan inte styras med ⏻ AMP-knappen på den här fjärrkontrollen.

- ⑤ **DIMMER-knapp**
Väljer nivå på ljusstyrkan för frontpanelens display. Varje gång du trycker på DIMMER-knappen ändras ljusstyrkenivån i följande ordning:



Denna inställning bibehålls även när denna enhet slås av.

- ⑥ **Sifferknappar**
Används för att välja ett spår direkt.

Anmärkning

Denna manövrering fungerar inte för MP3- och WMA-skivor.

- ⑦ **REPEAT-knapp**
Repeterar uppspelning av ett enskilt spår eller samtliga spår. Varje gång du trycker på REPEAT-knappen under uppspelning ändras läget för upprepad uppspelning enligt följande:



Anmärkning

Denna manövrering fungerar inte för MP3- eller WMA-skivor.

- PROGRAM-knapp**
Kopplar in eller ur läget för programmerad uppspelning. "Programmerad uppspelning" (sidan 14).

SHUFFLE-knapp

Spelar upp spår på skivan i slumpmässig ordning (slumpmässig uppspelning).

Anmärkningar

- Denna manövrering fungerar inte för MP3- och WMA-skivor.
- Läget för slumpmässig uppspelning avbryts när uppspelningen stoppas eller skivan matas ut.

⑧ ◀◀ (Sök bakåt)-knappen

▶▶ (Sök framåt)-knappen

Söker bakåt/framåt i spår.

⏸ (Paus)-knapp

Pausar uppspelning. Tryck på ▶ eller ⏸ för att återuppta uppspelningen.

▶ (Spela upp)-knapp

Startar uppspelning.

◀◀ (Hoppa bakåt)-knappen

Tryck en gång för att hoppa bakåt till början av det aktuella spåret.

Tryck två gånger för att hoppa till början av det föregående spåret.

▶▶ (Hoppa framåt)-knappen

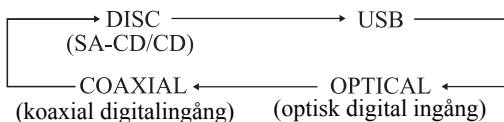
Tryck en gång för att hoppa till nästa spår.

⏏ (Stopp)-knapp

Stoppar uppspelning.

⑨ SOURCE-knapp

Väljer den ljudkälla som ska spelas upp. Varje gång du trycker på den här knappen växlas ljudkällan.



Inställningen för ljudkälla bibehålls även när denna enhet slås av.

⑩ PURE DIRECT-knapp

Slår på läget PURE DIRECT för att förbättra ljudkvaliteten.

När den här enheten är i läget PURE DIRECT:

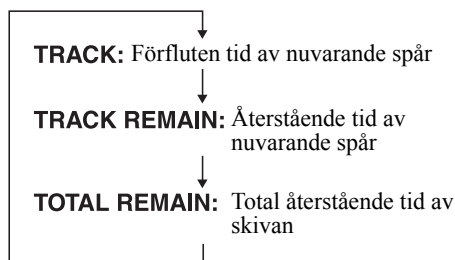
- PURE DIRECT-indikatorn tänds.
- Ingen signal matas ut från uttagen DIGITAL OUT (OPTICAL och COAXIAL) på baksidan (sidan 10).
- Några få indikeringar och meddelanden visas på frontpanelens display.



- Tryck igen för att koppla ur läget PURE DIRECT.
- Denna inställning bibehålls även när denna enhet slås av.

⑪ DISPLAY-knapp

Ändrar tidvisningen. Varje gång du trycker på DISPLAY-knappen under uppspelning ändras tidvisningsläget enligt följande:



⑫ ENTER-knapp

Bekräftar ett inmatat spårnummer vid programmering av spår.

CLEAR-knapp

Det senast programmerade spåret raderas, när läget för programredigering är inkopplat. Se “Programmerad uppspelning” (sidan 14).



Om du vill radera alla programmerade spår trycker du på CLEAR medan den programmerade uppspelningen är stoppad.

⑬ LAYER-knapp

Växlar uppspelningslagret för en hybrid-Super Audio CD mellan SA-CD och CD när uppspelningen är stoppad (sidan 27).



Denna inställning bibehålls även när denna enhet slås av.

Anmärkning

När SA-CD-lagret är valt skickas ljudsignaler bara ut från BALANCED OUT- och ANALOG OUT-uttagen.

⑭ Yamaha-förstärkarens manöverknappar

Manövrerar Yamaha-förstärkaren.

Vi hänvisar till förstärkarens bruksanvisning för detaljer.

Anmärkning

Vissa Yamaha-förstärkare kan inte styras med knapparna på den här fjärrkontrollen.

Se sidan 28 för närmare information om MP3/WMA-uppspelning.

Reglage och funktioner

■ Programmerad uppspelning

I läget för programmerad uppspelning, kan spår spelas upp i en programmerad följd.

Anmärkningar

- Denna manövrering fungerar inte för MP3- och WMA-skivor.
- De programmerade spårerna raderas i följande fall:
 - när skivan matas ut
 - när enheten stängs av eller placeras i STANDBY-läge
 - när en annan ljudkälla än skivan är vald
 - när uppspelningslagret på en hybrid Super Audio CD växlas mellan SA-CD och CD

1 Tryck på PROGRAM när uppspelningen stoppas.

Denna enhet är inställd på programredigeringsläget.

2 Välj ett spår genom att använda sifferknapparna och tryck på ENTER.

3 Upprepa steg 2 för att programmera nästa spår.

Det går att programmera 24 spår som mest.

4 Tryck på knappen \triangleright (Spela upp).

Uppspelning startar från början av den programmerade ordningen.

■ Ställa in DPLL-bandbredden (Digital Phased Lock Loop)

Audio DAC:en (ES9018) i den här enheten använder DPLL för att genererar exakta klocksignaler synkroniserade med klockan i den inkommande digitala ljudsignalen. DPLL-bandbreddsinställningen kan ställas in i 7 steg och gör enheten tolerant för variationer i klockan i den inkommande digitala signalen och gör det möjligt att justera noggrannheten i DAC:ens driftsklocka.

1 Tryck på SOURCE för att välja vilken ljudkälla som ska spelas upp.

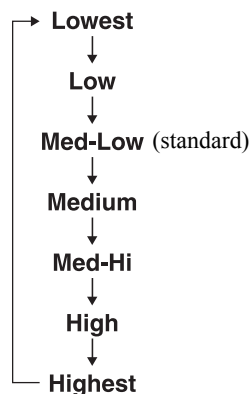
DPLL-bandbredden kan ställas in för varje ljudkälla separat.

2 Inom 5 sekunder efter att ha valt ljudkälla trycker du på ENTER.

Enheten ställs i inställningsläge och den aktuella DPLL-bandbredden visas i informationsdisplayen.

3 Välj DPLL-bandbredden med $\square\square$ -knappen (paus) och \square -knappen (stopp).

Varje gång du trycker på $\square\square$ -knappen (paus), ändras bandbredden i följande ordning: Om du trycker på \square -knappen (stopp) ändras den i bakåtgående ordning.



4 Tryck på ENTER.

Inställningsvärdet blinkar i 3 sekunder varefter enheten återgår till det normala läget.

Om du vill avbryta inställningen trycker du på CLEAR.

Anmärkningar

- När DPLL-bandbreddsinställningen närmar sig "Lowest", förbättras noggrannheten i DAC:en driftsklocka, men enheten kan bli mer känslig för ändringar i den externa komponentens klocka. Ljudet från en sådan komponent kan då lättare hoppa.
- När DPLL-bandbreddsinställningen närmar sig "Highest", försämras noggrannheten i DAC:en driftsklocka, men enheten blir mindre känslig för ändringar i den externa komponentens klocka och ljudet från en sådan komponent blir mindre benäget att hoppa.

■ Ställa in funktionen AUTO POWER STANDBY

Funktionen AUTO POWER STANDBY kan ställas in på ON eller OFF. Om enheten inte används på 30 minuter utan att någon ljudsignal upptäcks placeras den automatiskt i STANDBY-läge. När funktionen är inställd på OFF placeras enheten inte i STANDBY-läge automatiskt.

1 Öppna skivfacket och ta bort skivan från enheten, om det finns någon isatt.

Hoppa över steg 1 och 3 om "NO DISC" visas på displayen.

2 Stäng skivfacket.

3 Tryck på SOURCE för att välja "DISC" som ljudkälla.

"NO DISC" visas på displayen.

4 Håll ned □-knappen (Stopp) eller ▷-knappen (Spela upp) på frontpanelen i cirka 2 sekunder för att växla inställningen.

Knappen □ (Stopp): Funktionen AUTO POWER STANDBY växlas till ON och "AutoSTBY ON" visas på displayen.

Knappen ▷ (Spela upp): Funktionen AUTO POWER STANDBY växlas till OFF och "AutoSTBY OFF" visas på displayen.

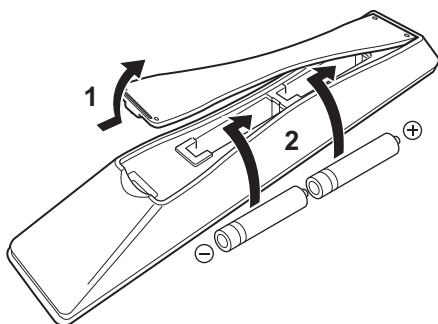
Anmärkningar

- Standardinställningen för AUTO POWER STANDBY är ON.
- Denna inställning bibehålls även när denna enhet slås av.

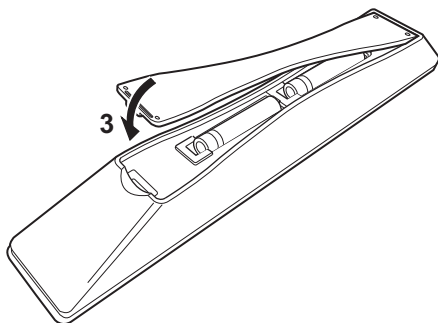
Reglage och funktioner

■ Isättning av batterier i fjärrkontrollen

- 1 Ta bort batterifacketets lucka.
- 2 Sätt i de två batterierna (AAA, R03, UM-4) i rätt riktning (+ och -) angiven på insidan av batterifacket.



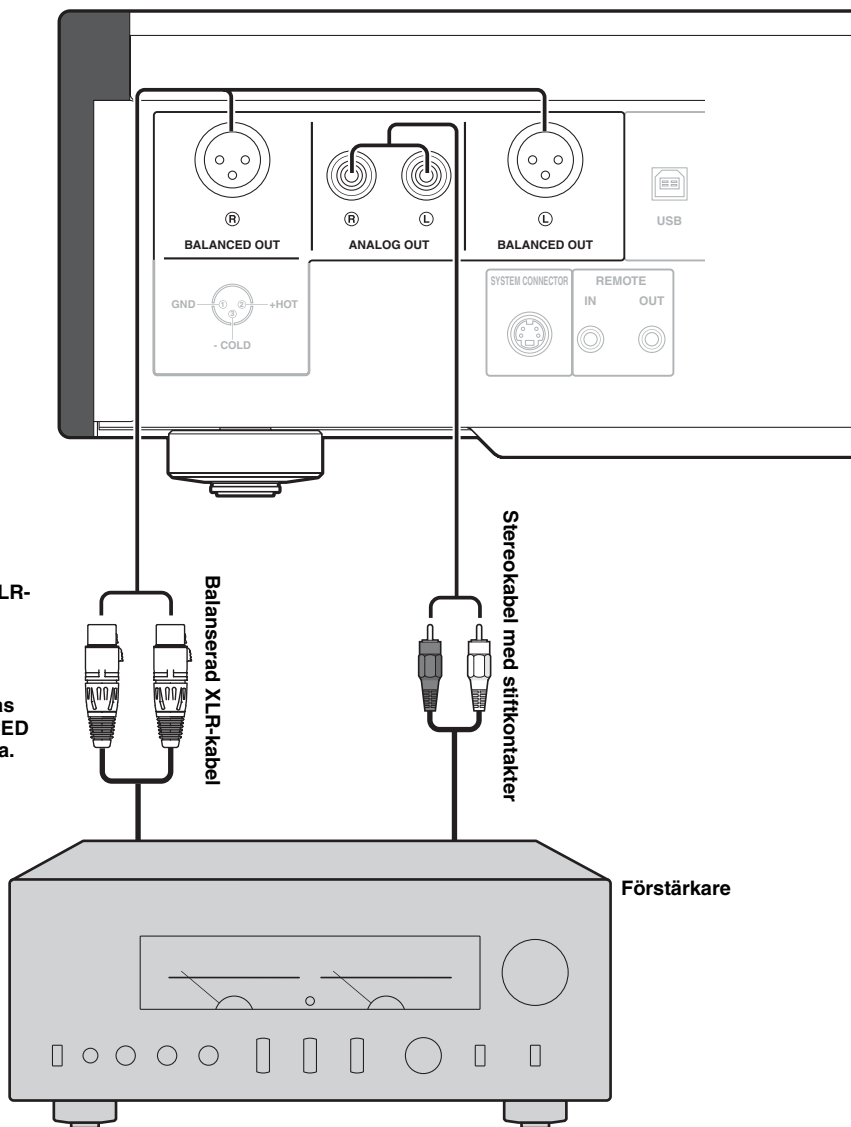
- 3 Sätt tillbaka batterifacketets lock.



CD-S3000 **Anslutningar**

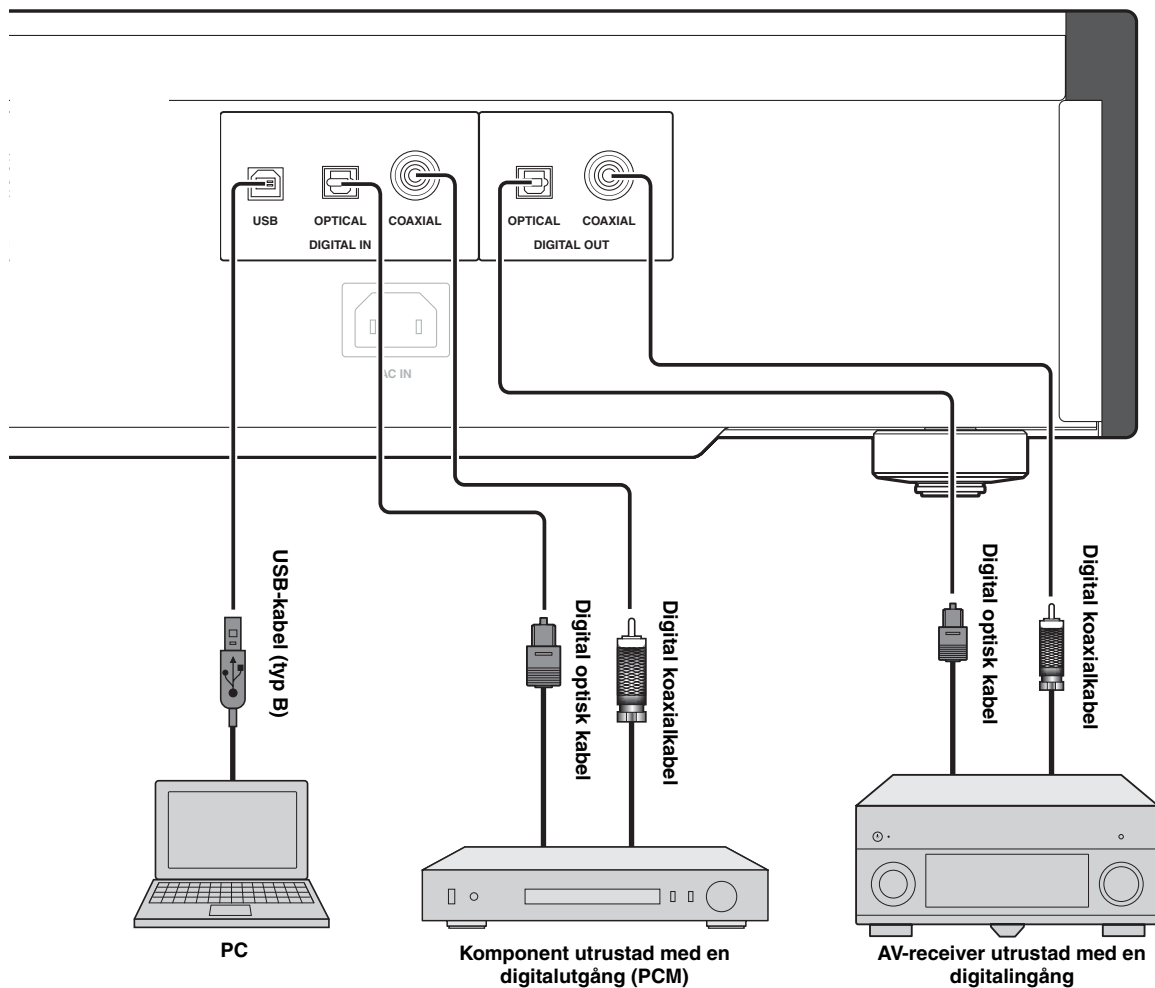
I detta avsnitt ges anvisningar för anslutningar mellan CD-S3000 och förstärkaren.





Om förstärkaren har balanserade XLR-ingångar, rekommenderar vi en balanserad anslutning för optimala ljudprestanda.

När SA-CD-lagret spelas upp skickas ljudsignalerna bara ut från BALANCED OUT- och ANALOG OUT-utgångarna.



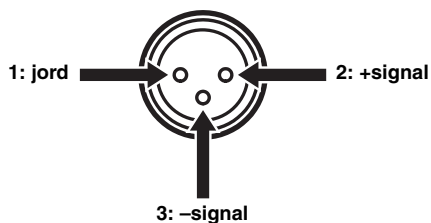
Anmärkning

Endast PCM-signaler kan matas in till DIGITAL IN (OPTICAL/COAXIAL)-ingångarna på den här enheten. För mer information om kompatibla PCM-signaler, se sidan 26.

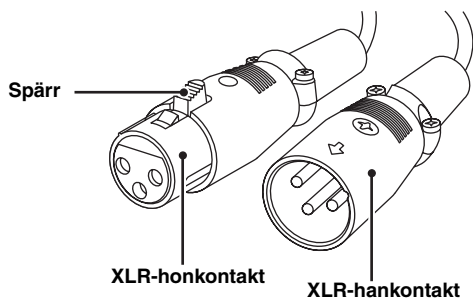
Anslutningar

■ Anslutning till BALANCED OUT-uttagen

Anslut förstärkaren till de balanserade XLR-utgångarna. Stiftens position för dessa uttag visas nedan. Läs i bruksanvisningen som medföljde förstärkaren och bekräfta att dess balanserade XLR-ingångar är kompatibla med stiftens position.

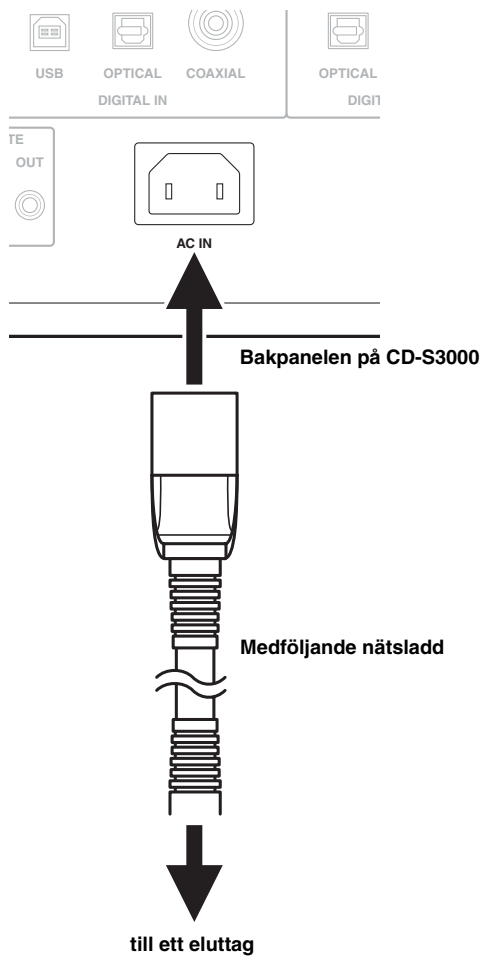


Vid anslutning se till att matcha stiften och sätt i ”hon”-kontakten på den balanserade XLR-kabeln. Koppla loss den balanserade XLR-kabeln genom att trycka in låsknappen på ”hon”-kontakten och dra ut kontakten.



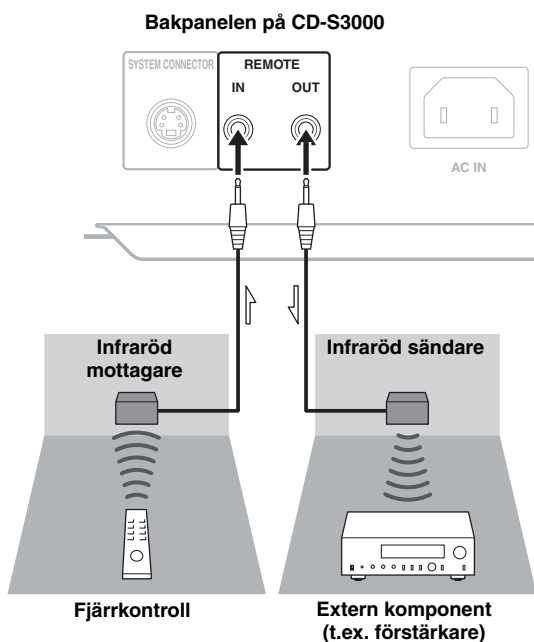
■ Ansluta nätsladden

Anslut nätsladden till AC IN-uttaget när samtliga anslutningar har slutförts, och anslut sedan nätkabeln till ett lämpligt nätuttag.



■ Använda enheten från ett annat rum

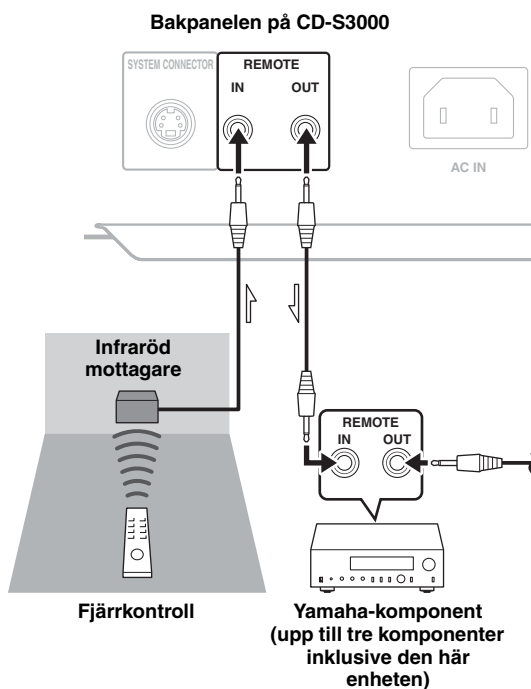
Om du ansluter en infraröd mottagare och sändare till REMOTE IN/OUT-uttagen på enheten kan du styra den och/eller externa komponenter med den medföljande fjärrkontrollen från ett annat rum.



■ Fjärranslutning mellan Yamaha-komponenter

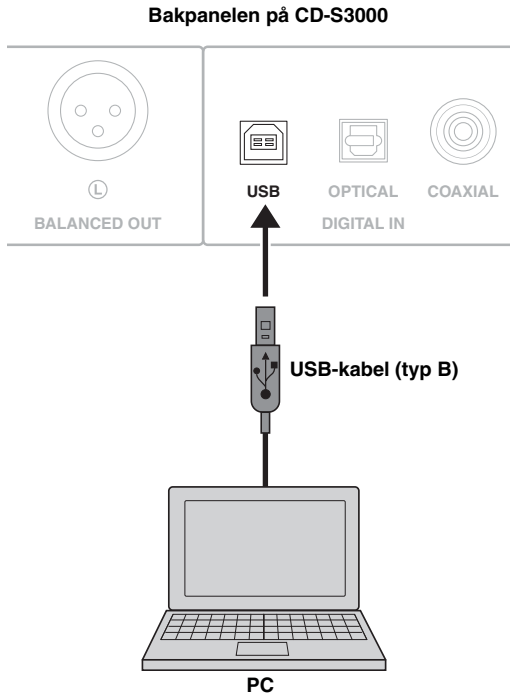
När du har en annan Yamaha-komponent som stöder funktionen för fjärranslutning, som den här komponenten gör, behöver du ingen infraröd sändare. Du kan överföra fjärrsignaler genom att ansluta en infraröd mottagare och REMOTE IN-uttaget på den andra komponenten till REMOTE IN/OUT-uttagen på den här enheten med hjälp av monokablar med minikontakter.

Upp till tre Yamaha-komponenter (inklusive den här enheten) kan anslutas.



Uppspelning av musikfiler lagrade på en PC

När en PC är ansluten till USB-uttagen på den här enheten fungerar enheten som en USB-DAC, som gör det möjligt att spela upp filer lagrade på datorn via en förstärkare ansluten till enheten.



■ Kompatibla operativsystem

USB-anslutningen med den här enheten fungerar med datorer med följande operativsystem:

Windows: Windows Vista (SP2, 32 bitar/64 bitar)/
Windows 7 (32 bitar/64 bitar)/
Windows 8 (32 bitar/64 bitar)

Mac: OS X 10.5.8/10.6.8/10.7.x/10.8.x

Anmärkningar

- Funktion med andra operativsystem kan inte garanteras.
- Funktioner kan avbrytas även med ovanstående operativsystem, beroende på datorns konfiguration eller miljö.
- Funktioner utförs ev. inte på rätt sätt om datorn ansluts till enheten innan drivrutinen har installerats.

■ Installera den dedikerade drivrutinen

Innan du ansluter en dator till enheten måste du installera drivrutinen på datorn.

- 1 Gå till följande URL, ladda ned "Yamaha Steinberg USB Driver" och packa sedan upp filen och kör den.**

Webbplats för nedladdning av drivrutinen

URL: <http://download.yamaha.com/>

- 2 Installera den nedladdade "Yamaha Steinberg USB Driver" på datorn.**

För mer information, se installationshandboken som medföljde den nedladdade drivrutinen.

- 3 När installationen är klar avslutar du alla pågående program.**

- 4 Ställ in datorns ljudutgång på "Yamaha CD Player".**

Med Windows OS:

Kontrollpanelen → Ljud → fliken [Uppspelning]

Med Mac OS:

Systeminställningar → Ljud → fliken [Utmatning]

Inställningen kan variera beroende på operativsystemet. För detaljer, kontakta datorns tillverkare.



Följande samplingsfrekvenser kan användas:

44,1 kHz/48 kHz/88,2 kHz/96 kHz/176,4 kHz/192 kHz

Anmärkningar

- Funktioner utförs ev. inte på rätt sätt om datorn ansluts till enheten innan drivrutinen har installerats.
- När drivrutinen installeras på en Windows XP-dator kan datorns prestanda försämrats något. I sådana fall startar du om datorn.
- "Yamaha Steinberg USB Driver" kan ändras utan föregående meddelande. För detaljer och den senaste informationen, se nedladdningssidan för drivrutinen.

■ Spela upp musikfiler lagrade på en PC

1 Anslut datorn till enheten med en USB-kabel.

2 Slå på datorn.

3 Slå på den här enheten genom att trycka på **STANDBY/ON/OFF** på frontpanelen.

4 Välj "USB" med **SOURCE**-knappen på enheten.

5 Ställ in datorns ljudutgång på "Yamaha CD Player".

Med Windows OS:

Kontrollpanelen → Ljud → fliken [Uppspelning]

Med Mac OS:

Systeminställningar → Ljud → fliken [Utmatning]

Inställningen kan variera beroende på operativsystemet. För detaljer, kontakta datorns tillverkare.

6 Börja spela upp musikfiler på datorn.

När musiksignalen skickas från datorn till enheten indikeras samplingsfrekvensen för den fil som spelas upp på enhetens display.

■ Justera ljudvolymen

För att erhålla en högre ljudkvalitet ställer du in ljudvolymen på datorn på det högsta läget och ställer sedan in önskad volym på förstärkaren.

Anmärkningar

- Koppla inte bort USB-kabeln, stäng inte av enheten och växla inte ingång med **SOURCE**-knappen medan du spelar upp musik från en dator ansluten via USB-kabeln. Det kan leda till felfunktion.
- Om du vill stänga av ljudet från dator under musikuppspelning ändrar du inställningen på datorn.
- Om det inte går att spela upp musikfiler på rätt sätt startar du om datorn och utför den angivna proceduren igen.
- De musikfiler som är lagrade på en dator kan inte styras från den här enheten eller från enhetens fjärrkontroll. Styr dem från datorn.

CD-S3000

Tekniska data

I detta avsnitt finns tekniska data för CD-S3000.



Tekniska data

AUDIODEL

- Frekvensåtergivning (1 kHz, 0 dB)
 - SA-CD 2 Hz till 50 kHz (-3 dB)
 - CD 2 Hz till 20 kHz
- Uppspelningsfrekvensområde 2 Hz till 96 kHz
- Övertonsdistorsion (1 kHz, 0 dB)
 - SA-CD 0,002 % eller mindre
 - CD 0,002 % eller mindre
- Signalbrusförhållande (IHF-A nätverk) (1 kHz, 0 dB)
 - SA-CD/CD 116 dB eller mer
- Dynamikområde (1 kHz, 0 dB)
 - SA-CD 110 dB eller mer
 - CD 100 dB eller mer
- Utnivå (1 kHz, 0 dB)
 - SA-CD/CD $2,0 \pm 0,3$ V

EGENSKAPER LASERDIOD

- Våglängd
 - SA-CD 655 nm
 - CD 790 nm
- Uteffekt
 - SA-CD 1,89 mW (max)
 - CD 1,36 mW (max)

INGÅNGS-/UTGÅNGSAVSNITT

- Digitalingång (DIGITAL IN)
 - USB (Typ B) × 1 USB 2.0-kompatibel
 - OPTICAL × 1
 - COAXIAL × 1
 - Kompatibla ljudsamplingfrekvenser 44,1/48/88,2/96/176,4/192 kHz
 - Orddjup 16 bitar/24 bitar
- Digitalutgång (DIGITAL OUT)
 - OPTICAL × 1
 - COAXIAL × 1
 - Kompatibla ljudsamplingfrekvenser 44,1/48/88,2/96/176,4/192 kHz
 - Orddjup 16 bitar/24 bitar
- Ljudutgång
 - ANALOG OUT obalanserad × 2 kanaler (L/R)
 - BALANCED OUT balanserad × 2 kanaler (L/R)
- Fjärringång/utgång
 - REMOTE IN
 - REMOTE OUT
- Systemanslutning
 - SYSTEM CONNECTOR

ALLMÄNT

- Strömförsörjning
 - [Modeller för Kina, Korea, Asien, Australien, Storbritannien och Europa] AC 220 – 240 V, 50/60 Hz
 - [Modeller för USA, Kanada och Taiwan] AC 110 – 120 V, 50/60 Hz
- Effektförbrukning 30 W
- Effektförbrukning i viloläge (referensdata) 0,3 W
- Ytermått (B × H × D) 435 × 142 × 440 mm
- Vikt 19,2 kg
- * Rätt till ändringar av tekniska data utan föregående meddelande förbehålls.

Skötsel av denna enhet

Polerad finish på sidopanelerna

Användning av Yamahas Unicon-trasa (säljs separat) rekommenderas. För kraftig smuts, använd Yamahas Piano Unicon (säljs separat). Information om köp kan fås av närmaste auktoriserade Yamaha-återförsäljare eller servicecenter.

Andra utföranden

Använd inga kemiska lösningsmedel (sprit eller thinner etc.) när denna enhet torkas av; detta kan skada ytbehandlingen. Använd en ren, torr torktrasa. För svåra fläckar, fukta en mjuk trasa i diskmedel utspätt med vatten, vrid ur trasan, och torka därefter denna enhet med trasan.

■ Skivtyper som stöds

Denna enhet är utformad att spela upp kompaktskivor försedda med de märken som visas nedan. Försök aldrig att sätta i någon annan typ av skiva i denna enhet. Denna enhet kan också spela upp 8 cm kompaktskivor.

Super Audio CD

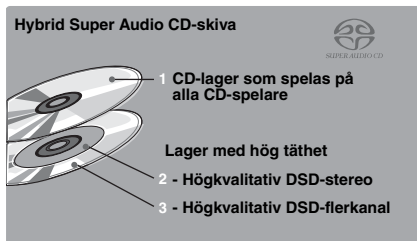
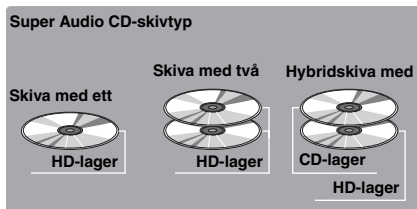


SUPER AUDIO CD

Audioformat baserat på den nuvarande CD-standarden med som inkluderar en större mängd information vilket ger ett ljud av högre kvalitet. Det finns tre typer av skivor: ett lager, två lager och hybridiskivor. En hybridiskiva kan spelas på vanliga CD-spelare men också på Super Audio CD-spelare eftersom den innehåller information för både standard ljud-CD och Super Audio CD.

Anmärkning

Denna enhet visar inte textdata på frontpanelens display.



Kompaktskivor (digitalt ljud)



De mest populära skivorna för ljud-CD som säljs i handeln.

CD-R, CD-RW digitala ljudskivor



Musik-CD-skivor som skapas genom kopiering till en CD-R eller CD-RW (däribland filer i formaten MP3 och WMA).

Anmärningar

- Se till att använda en CD-R eller CD-RW från en tillförlitlig tillverkare.
- Se till att använda en CD-R eller CD-RW där åtminstone något av följande står skrivet på skivan eller cd-asken.
 - FOR CONSUMER
 - FOR CONSUMER USE
 - FOR MUSIC USE ONLY
- Se till att använda en slutbehandlad CD-R eller CD-RW.

CD-TEXT-skivor



Skivor inspelade med textdata som till exempel albumtitlar, låttitlar och artistnamn. Dessa skivor kan spelas upp på vanliga CD-spelare.

Anmärkning

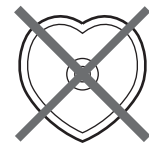
Denna enhet visar inte textdata på frontpanelens display.

ANMÄRKNING:

Det kan hända att denna enhet inte kan spela upp vissa CD-RW-skivor eller skivor som har en felaktigt gjord inspelning.

För att undvika problem med denna enhet:

- Använd inga skivor med en form som inte är standard (hjärtformad etc.) tillgängliga på marknaden. Det kan skada denna enhet.
- Använd inte en skiva på vilken det finns tejp, märken eller klister. En sådan skiva kan fastna i denna enhet eller orsaka skada på denna enhet.



Spelbara skivformat

■ Om skivor med MP3- och WMA-filer

Det går att spela upp MP3- och WMA-filer inspelade på en CD-R- eller CD-RW-skiva på ungefär samma sätt som en musik-CD.

MP3

MP3 (MPEG-1 Audio Layer-3) är en standardteknik och ett standardformat för komprimering av ljudsekvenser till små filer. Den ursprungliga nivån på ljudkvaliteten bibehålls dock under uppspelning.

Anmärkningar

- Denna enhet spelar upp MP3-filer i alfanumerisk ordning.
- 648 mappar och filer (kombinerat) och 299 mappar som mest kan identifieras; men det kan hända att vissa mappar och filer inte kan identifieras beroende på katalogstrukturen.
- Beroende på inspelningsförhållanden såsom inställningar av programvaran för inspelning, kan det hända denna enhet inte kan spela upp skivan eller filerna i den ordning de har spelats in.
- Denna enhet är kompatibel med en samplingsfrekvens på 44,1 kHz.
- Denna enhet är kompatibel med en bithastighet på 32, 40, 48, 56, 64, 80, 96, 112, 128, 160, 192, 224, 256 eller 320 kbps. Variabel bithastighet stöds inte.
- Skivan måste vara ISO9660-kompatibel.
- Textdata som finns i filerna visas inte på denna enhet.

WMA

WMA (Windows Media Audio) är ett Microsoft-filformat för kodning av digitala ljudfiler liknande MP3 även om WMA kan komprimera filer mer än MP3.

Anmärkningar

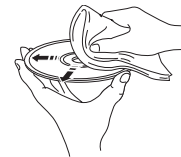
- Denna enhet spelar upp WMA-filer i alfanumerisk ordning.
- 648 mappar och filer (kombinerat) och 299 mappar som mest kan identifieras; men det kan hända att vissa mappar och filer inte kan identifieras beroende på katalogstrukturen.
- Denna enhet är kompatibel med en samplingsfrekvens på 44,1 kHz.
- Denna enhet är kompatibel med en bithastighet på 48, 64, 80, 96, 128, 160 eller 192 kbps. Variable bithastighet stöds inte.
- Skivan måste vara ISO9660-kompatibel.
- Kopieringsskyddade WMA-filer kan inte spelas upp på denna enhet.
- Textdata som finns i filerna visas inte på denna enhet.

■ Hantering av CD-skivor

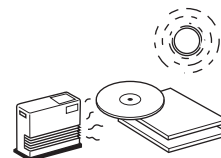
- Hantera alltid en skiva försiktigt så att dess yta inte repas.



- Kompaktskivor slits sällan ut genom uppspelning, men om skivans yta skadas vid hantering kan det påverka uppspelningen negativt.
- Använd en tuschpenna för cd eller likande skrivdon när något ska skrivas på skivans etikettsida. Använd inte en kulspeppenna, blyertspenna eller andra skrivdon med hård spets eftersom dessa kan skada skivan och påverka uppspelningen negativt.
- Se till att skivan inte blir skev.
- När en skiva inte används för tillfället, ska den tas ut från denna enhet och förvaras i cd-asken.
- Var försiktig så att inte spelytan repas när skivan tas ut eller läggs tillbaka.
- Kompaktskivor påverkas inte av små dammpartiklar eller fingeravtryck på skivans spelyta, men trots detta ska de hållas rena. Torka skivan yta med en ren, torr trasa. Torka inte skivans yta med cirkelrörelser; torka den med en rak rörelse utåt från mittpunkten.



- Försök inte att göra ren skivans yta med någon som helst typ av skivrengörare, skivspray, antistatisk spray eller vätska, eller någon annan kemikaliebaserad vätska eftersom sådana ämnen kan ge irreparabla skador på skivans yta.
- Utsätt inte skivor för direkt solljus, hög temperatur, eller hög fuktighet under en lång tidsperiod eftersom sådana förhållanden kan göra skivan skev eller skada den på annat sätt.



- När en 8 cm CD ska spelas, lägg den på den inre insänkta delen av skivfacket. Lägg inte en normal 12 cm CD ovanpå en 8 cm CD.

Gå igenom tabellen nedan, om denna enhet inte fungerar som den ska. Om problemet du upplever inte anges nedan eller om instruktionerna nedan inte hjälper, stäng av enheten, dra ut nätkabeln och kontakta sedan närmaste auktoriserade Yamaha-återförsäljare eller servicecenter.

Problem	Orsak	Åtgärd	Se sidan
Denna enhet slås inte på när STANDBY/ON/OFF trycks uppåt.	Nätsladden är inte ansluten eller dåligt ansluten.	Anslut nätsladden ordentligt.	20
Den här enheten placeras automatiskt i STANDBY-läge.	Den automatiska standbyfunktionen aktiveras.	Om enheten inte används på 30 minuter utan att någon ljudsignal upptäcks placeras den automatiskt i STANDBY-läge.	6
Skivfacket stängs inte helt.	Ett främmande föremål hindrar skivfacket.	Kontrollera skivfacket noggrant och ta bort det främmande föremålet.	—
Ingen avspelning börjar.	CD-skivan är skadad.	Kontrollera CD-skivan noggrant och byt ut den om nödvändigt.	—
	Fukt på laserpickupen.	Vänta 20 till 30 minuter efter strömmen har slagits på och försök sedan att spela upp en skiva.	—
	CD-skivan har lagts i med fel sida upp.	Ta ut skivan och lägg i den med etiketten vänd uppåt.	—
	CD-skivan är smutsig.	Rengör CD-skivan.	28
	Formaten MP3 och WMA är inte kompatibla med denna enhet.	Byt ut skivan mot en rätt inspelade skiva som kan spelas på denna enhet.	28
	Den återinspelningsbara skivan (CD-RW) har inte spelats in på rätt sätt.	Byt ut skivan mot en rätt inspelade skiva som kan spelas på denna enhet.	27
	Byt ut skivan mot en som kan spelas på denna enhet.	Byt ut skivan mot en rätt inspelade skiva som kan spelas på denna enhet.	27
Avspelningen är sen eller börjar på fel plats.	CD-skivan är repad eller skadad.	Kontrollera CD-skivan noggrant och byt ut den om nödvändigt.	28
Inget ljud hörs.	Felaktig anslutning av utgående kablar.	Anslut kablarna på rätt sätt. Om problemet fortsätter kan det hända att det finns defekter på kablarna.	18
	Förstärkaren är felaktigt inställd.	Ställ in förstärkarens kontroller på rätt ingångsval.	—
Inget ljud spelas upp från den komponent som är ansluten till de digitala ingångarna.	Enheten är i PURE DIRECT-läge.	Stäng av PURE DIRECT-läget.	7
	Super Audio CD-lagret spelas upp.	Byt lager för uppspelning.	7
Ljudet "hoppa".	Denna enhet är utsatt för vibrationer eller stötar.	Omplacera denna enhet.	—
	CD-skivan är smutsig.	Rengör CD-skivan.	28
	Klockan i den uppspelade ljudsignalen varierar.	Ändra DPLL-bandbredden för audio DAC:en (ES9018).	14
Ljudet "brummar".	Felaktiga kabelanslutningar.	Anslut ljud-kablarna ordentligt. Om problemet fortsätter kan det hända att det finns defekter på kablarna.	18

Problem	Orsak	Åtgärd	Se sidan
Störningar från en närliggande tuner.	Tunern står för nära denna enhet.	Flytta tunern och denna enhet längre bort från varandra.	—
Buller i skivfacket.	CD-skivan är skev.	Byt ut CD-skivan.	28
Ljudet från den komponent som är ansluten till uttaget DIGITAL IN (OPTICAL eller COAXIAL).	Den utgående ljudinställningen på den anslutna komponenten är inte "PCM".	Endast PCM-ljudkällor kan spelas upp via DIGITAL IN (OPTICAL/COAXIAL)-uttagen på den här enheten. Ställ in utgående ljudkälla på den anslutna komponenten till "PCM".	—
Fjärrkontrollen fungerar inte.	Batterierna för fjärrkontrollen är för svaga.	Byt ut batterierna med nya.	16
	Fjärrkontrollen hålls på för långt avstånd eller i fel vinkel.	Använd på högst 6 m avstånd och inom 60° vinkel.	9
	Direkt solljus eller ljus (inverterat lysrörsljus el.dyl.) skiner på sensorn för fjärrkontrollen på denna enhet.	Ställ denna enhet på ett annat ställe.	9

■ Om USB-anslutning

Problem	Orsak	Åtgärd	Se sidan
Den anslutna datorn känner inte igen enheten.	Datorns operativsystem är inte kompatibelt.	Använd en dator med ett kompatibelt operativsystem.	22
	Felaktig USB-kabelanslutning	Anslut USB-kabeln på rätt sätt.	19, 22
	Datorns eller programmet ljud har stängts av.	Slå på ljudet på datorn eller i programmet.	—
Brusig uppspelning.	Ett annat program startas på datorn medan en musikfil spelas upp.	Om ett annat program startas samtidigt som en musikfil spelas upp kan ljudet gå förlorat tillfälligt eller brus uppstå. Starta inga andra program under uppspelning.	—
Musikfiler kan inte spelas upp.	Musikinformationen återges inte på rätt sätt eftersom den här enheten är ansluten till datorn ingången på den här enheten växlas till "USB" medan musikprogrammet körs på datorn.	Anslut den här enheten till datorn och ställ in ingången på enheten på "USB" i förväg. Starta sedan musikprogrammet och starta uppspelningen.	23
	Den dedikerade "Yamaha Steinberg USB Driver" har inte installerats på rätt sätt.	Installera "Yamaha Steinberg USB Driver" igen på rätt sätt.	22

■ Meddelanden på informationsdisplayen

Meddelande	Status
NO DISC	Ingen skiva i skivfacket.
Check Cable	Den dedikerade "Yamaha Steinberg USB Driver" har inte installerats på rätt sätt. Eller så har ljudutgången på datorn inte ställts in på "Yamaha CD Player".
Check PC	Ljudsignalen från datorn kan inte identifieras.
Fs: ----kHz	Ingen ljudsignal identifierades.

Una lunga tradizione nel suono

Un pianoforte che nasce dalla perfetta sinergia di capacità tecniche avanzate e arte è in grado di creare suoni che riflettono realmente i sentimenti di chi lo usa.

L'ultima fase del processo produttivo che porta alla nascita di un pianoforte è definita "voicing", ed è a quel punto che lo strumento acquisisce una propria anima.

Un professionista della musica che può contare su una lunga esperienza e su una formazione completa concentra la sua mente e sensibilità sui suoni di ciascun tasto, regolando con la massima precisione lo spettro dinamico dei martelli, accordando perfettamente il tono e la vibrazione di tutti gli 88 tasti e raggiungendo, infine, un risultato davvero stupefacente.

È una qualità di suono che può essere determinata esclusivamente da un orecchio sensibile e sapiente. Questo stesso concetto noi lo applichiamo alla produzione dei nostri sistemi audio. Il nostro tecnico esegue accurate prove di ascolto e ogni componente viene esaminato attentamente affinché possa garantire, al termine del processo, il suono ideale.

La tradizione di Yamaha nella qualità audio, che ha avuto inizio oltre 125 anni fa, oggi continua a vivere in tutti i prodotti Yamaha.



Eccellenza nella qualità audio

1920-
1960s

Primo sistema HiFi introdotto nel 1920

Abbiamo presentato numerosi componenti HiFi (giradischi, sintonizzatori FM/AM, amplificatori integrati, preamplificatori, amplificatori di potenza e diffusori) nel 1955 - 1965.



NS-20



CA-1000

La Natural Sound Speaker Series, introdotta nel 1967

Diffusore monitor NS-20



NS-690



NS-1000M

1970s

Amplificatore integrato CA-1000

Possedendo caratteristiche di Classe A, il CA-1000 stabilì uno standard per gli amplificatori integrati.

Natural Sound Speaker NS-690

Diffusore monitor NS-1000M

Un diffusore veramente leggendario ancora riverito dagli entusiasti di HiFi.



B-1



C-2

Amplificatore di potenza B-1

Un amplificatore di potenza innovativo che usa FET verticali in tutti i suoi stadi.

Amplificatore di controllo C-2

Ha ricevuto il primo premio presso la Fiera Internazionale di Musica e HiFi di Milano.



PX-2



NS-10M

Diffusore monitor da studio NS-10M

Divenne uno dei monitor da studio più venduti nel mondo.



A-1

Amplificatore integrato A-1

Giradischi PX-2

Il primo giradischi Yamaha a braccio diritto.



B-6



B-2x

1980s

Amplificatore di potenza B-6

Amplificatore di potenza a forma di piramide.

Giradischi GT-2000/L

Primo lettore CD (CD-1) introdotto nel 1983

Amplificatore di potenza B-2x



MX-10000



CX-10000

Amplificatore di potenza MX-10000 e amplificatore di controllo CX-10000

Ridefinirono le possibilità di componenti separati.

Amplificatore integrato AX-1

1990s

Lettore CD GT-CD1

Amplificatore di potenza MX-1 e preamplificatore CX-1



A-S2000

2000s

Diffusori a suono naturale Soavo-1 e Soavo-2.

Amplificatore stereo A-S2000 e lettore CD Super Audio CD-S2000



Soavo-1



CD-S2000

2010s

Network Player NP-S2000



NP-S2000

CD-S3000

- ◆ *La trasmissione bilanciata full-stage del segnale a partire dal DAC raggiunge la massima qualità di riproduzione di CD*
- ◆ *Alimentazioni indipendenti con segnali digitale ed analogico del tutto separati*
- ◆ *Meccanismo di caricamento Yamaha esclusivo e trazione del CD di alta precisione*
- ◆ *Design simmetrico sinistra/destra con struttura rigida e stabile*
- ◆ *Caratteristica Pure Direct*
- ◆ *Suono super da CD Super Audio*
- ◆ *Piedini robusti dotati di punte antivibrazione di nuova generazione*
- ◆ *Riproduzione DSD tramite DAC USB a 192 kHz, 24 bit*

■ Accessori in dotazione

Controllare che la confezione ricevuta contenga tutte le parti che seguono.

- Cavo di alimentazione
- Telecomando
- Batterie (AAA, R03, UM-4) (×2)
- Cavo stereo a spinotti
- VOLANTINO SULLA SICUREZZA

Indice

Comandi e loro funzione.....	6
Collegamenti	18
Riproduzione di file musicali archiviati su un PC.....	22
Dati tecnici	26
Formato dei dischi riproducibili.....	27
Diagnostica.....	29

■ A proposito di questo manuale

- ✨- indica un suggerimento riguardante un'operazione.
- Il colore delle immagini in questo manuale può differire dall'originale.
- Prima di fare uso di quest'unità, leggere sempre il "VOLANTINO SULLA SICUREZZA".

CD-S3000

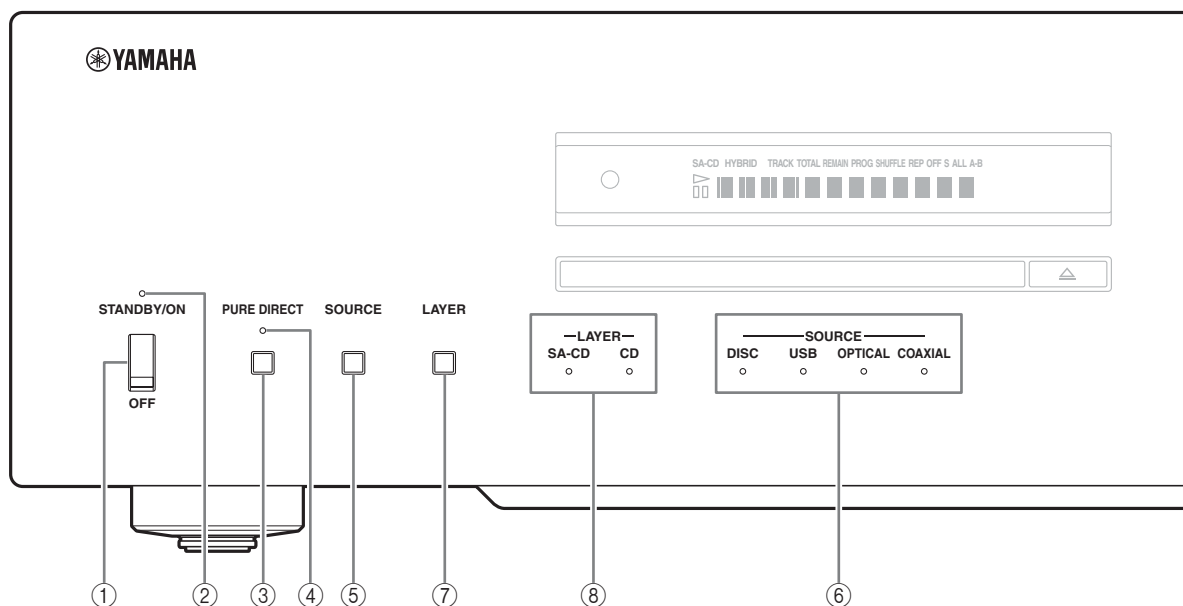
Comandi e loro funzione

In questo capitolo si presentano i vari comandi del CD-S3000 e la loro funzione.



Comandi e loro funzione

■ Pannello anteriore (pagine da 6 a 9)



① Interruttore STANDBY/ON/OFF

Premere per accendere o spegnere l'unità.

STANDBY/ON (posizione in alto):

In questa posizione, è possibile selezionare STANDBY o ON utilizzando il tasto CD sul telecomando.

OFF (posizione in basso):

Quest'unità è spenta.

Note

- Quando si accende quest'unità, occorrerà attendere alcuni secondi prima che essa sia in grado di riprodurre il suono.
- Se rimane inattiva per 30 minuti con nessun segnale audio rilevato, questa unità entra automaticamente in modalità STANDBY (pagina 15).
- Se si scollega il cavo di alimentazione dalla presa CA e poi lo si collega nuovamente quando l'unità si trova in modalità STANDBY, l'unità viene attivata (pagina 20). Se l'unità resterà inattiva per un periodo di tempo prolungato, impostare l'interruttore STANDBY/ON/OFF su OFF.

② Indicatore STANDBY/ON

Illuminato brillantemente:

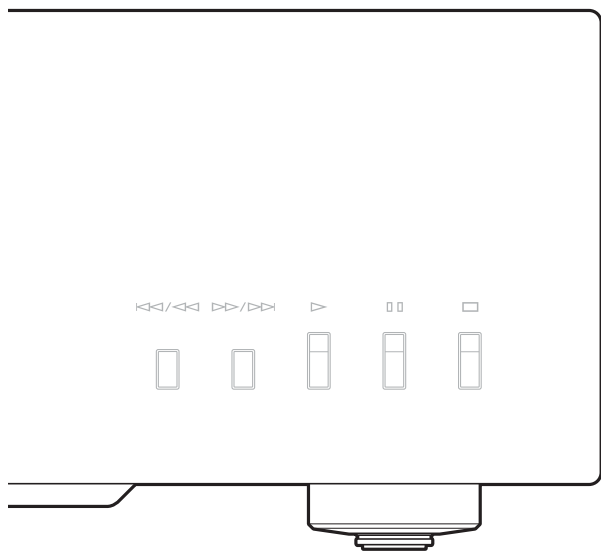
Indica che l'alimentazione dell'unità è impostata su ON. In questa situazione, è possibile impostare l'unità in modalità STANDBY utilizzando il tasto CD sul telecomando.

Illuminato fiocamente:

Indica che l'unità si trova in modalità STANDBY. In questa situazione, premere il tasto CD sul telecomando per accendere l'unità.

Spento:

Indica che l'alimentazione dell'unità è impostata su OFF. In questa situazione, è possibile accendere l'unità utilizzando solo l'interruttore STANDBY/ON/OFF.



③ Tasto PURE DIRECT

Attiva la modalità PURE DIRECT per aumentare la qualità dell'audio.

Quando quest'unità si trova in modalità PURE DIRECT:

- Nessun segnale viene emesso dalle prese DIGITAL OUT (OPTICAL e COAXIAL) sul pannello posteriore (pagina 10).
- Il display del pannello anteriore visualizza un numero minimo di indicatori e messaggi.



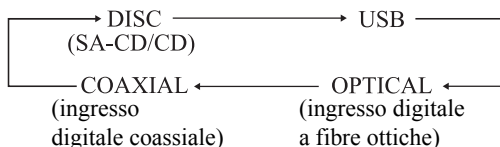
- Premere di nuovo questo tasto per disattivare la modalità PURE DIRECT.
- Questa impostazione viene mantenuta anche se quest'unità viene spenta.

④ Indicatore PURE DIRECT

Si illumina quando è attivata la modalità PURE DIRECT.

⑤ Tasto SOURCE

Consente di selezionare la sorgente audio da riprodurre. A ogni pressione del tasto, la sorgente audio cambia.



L'impostazione della sorgente audio viene mantenuta anche se quest'unità viene spenta.

⑥ Indicatori SOURCE

L'indicatore della sorgente audio scelta con il tasto SOURCE si illumina.

⑦ Tasto LAYER

Consente di impostare lo strato di riproduzione di un CD Super Audio ibrido su SA-CD o su CD mentre la riproduzione è ferma (pagina 27).



Questa impostazione viene mantenuta anche se quest'unità viene spenta.

Nota

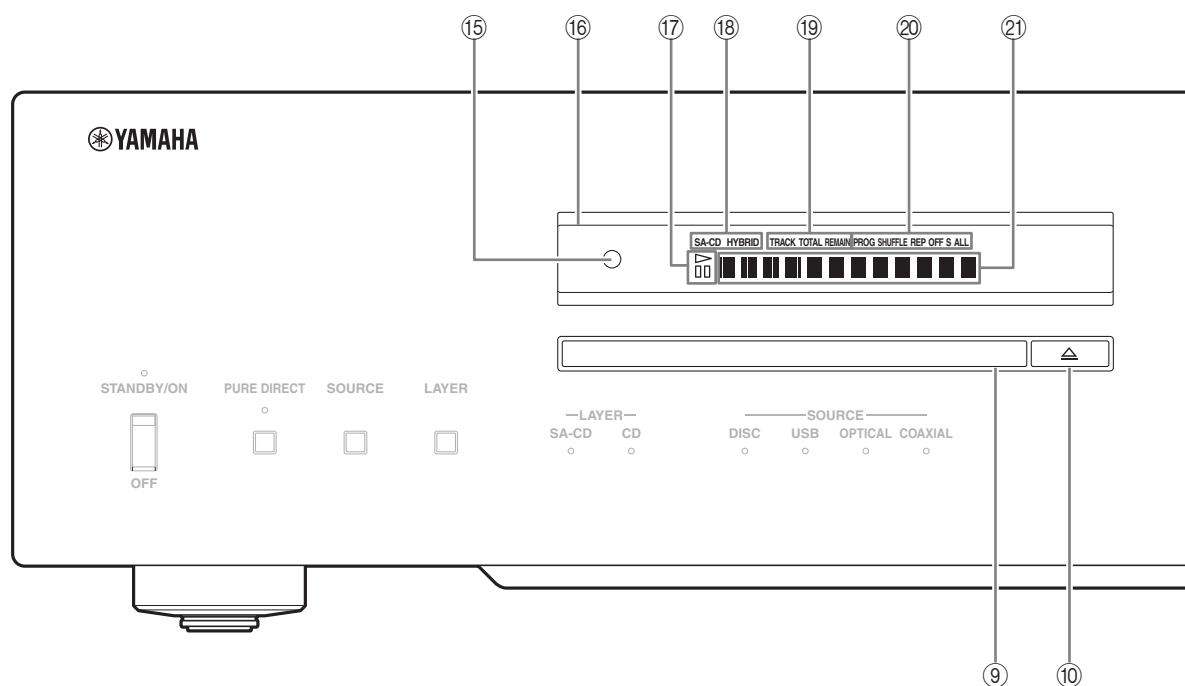
Quando è selezionato lo strato SA-CD, i segnali audio vengono emessi solo dalle prese BALANCED OUT e ANALOG OUT.

⑧ Indicatori LAYER

L'indicatore dello strato scelto con il tasto LAYER si illumina.

Comandi e loro funzione

■ Pannello anteriore (pagine da 6 a 9)



⑨ **Piatto portadisco**

Fa caricare un disco.

⑩ **△ Tasto (Apertura/chiusura)**

Fa aprire e chiudere il piatto portadisco.



Il piatto portadisco si chiude automaticamente:

- premendo il tasto ▷ (Riproduzione) sul pannello anteriore o sul telecomando.
- premendo leggermente il bordo anteriore del piatto portadisco.
- premendo un pulsante numerico del telecomando.

⑪ **◀◀/◀ Tasto (Salto/ricerca all'indietro)**

Premere questo tasto una volta per tornare all'inizio del brano attuale.

Premere questo tasto due volte per saltare all'inizio del brano precedente.

Mantenere premuto per ricercare all'indietro.

▶▶/▶ Tasto (Salto/ricerca in avanti)

Premere questo tasto una volta per saltare al brano successivo.

Mantenere premuto per ricercare in avanti.

⑫ **▷ Tasto (Riproduzione)**

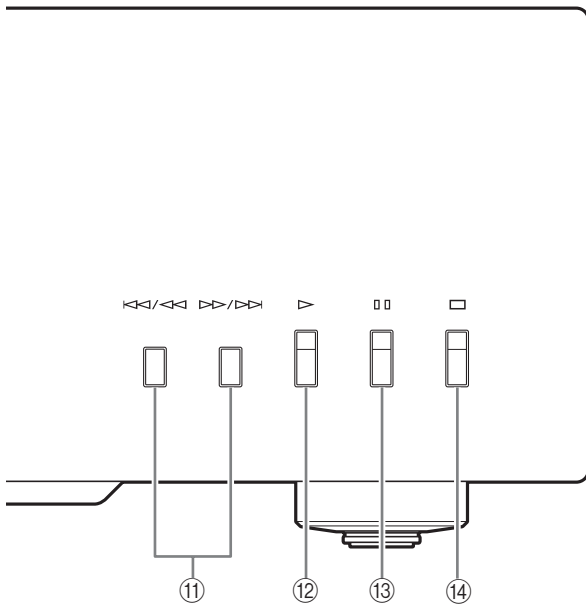
Inizia la riproduzione.

⑬ **⏏ Tasto (Pausa)**

Porta la riproduzione in pausa. Premere il tasto ▷ o ⏏ per far riprendere la riproduzione.

⑭ **⏏ Tasto (Arresto)**

Fa cessare la riproduzione.

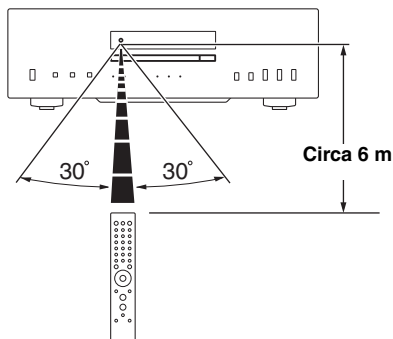


⑮ **Sensore del telecomando**

Riceve i segnali del telecomando.



Il telecomando trasmette un raggio infrarosso direzionale. Durante l'uso, puntare il telecomando sempre direttamente sul sensore del telecomando sul pannello anteriore di quest'unità.



⑯ **Display**

È possibile regolare la luminosità tramite il tasto DIMMER sul telecomando (pagina 12).

⑰ ▷ **Indicatore (Riproduzione) / □ □ (Pausa)**

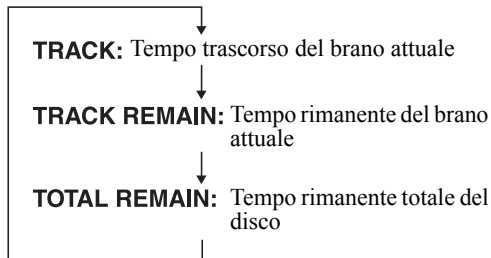
Si illumina in modalità riproduzione/pausa.

⑱ **Indicatore del tipo di disco**

Indica il tipo (SA-CD/CD/HYBRID) di disco presente sul piatto portadisco.

⑲ **Indicatore della modalità di indicazione del tempo**

Indica la modalità di indicazione del tempo sul display. Per modificare la modalità, premere il tasto DISPLAY sul telecomando (pagina 13).



⑳ **Indicatore della modalità di riproduzione**

Indica la modalità di riproduzione corrente.

PROG: Riproduzione programmata (pagina 14)

SHUFFLE: Riproduzione in ordine casuale (pagina 13)

REP OFF: Riproduzione ripetuta disattivata (pagina 12)

REP S: Riproduzione di un singolo brano (pagina 12)

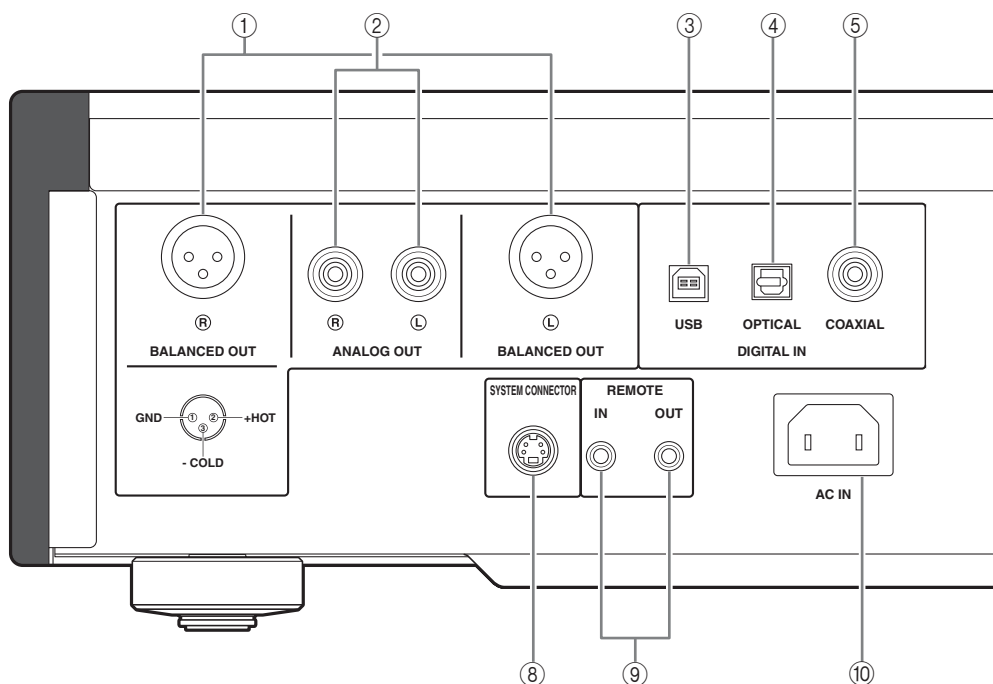
REP ALL: Riproduzione completa (pagina 12)

㉑ **Display informativo**

Vedere pagina 28 per maggiori informazioni sulla riproduzione di file MP3/WMA.

Comandi e loro funzione

■ Pannello posteriore



Vedere pagina 18 per informazioni sui collegamenti.

- ① **Prese BALANCED OUT (maschio)**
- ② **Prese ANALOG OUT**
- ③ **Presa DIGITAL IN USB (tipo B)**
- ④ **Presa DIGITAL IN OPTICAL**
- ⑤ **Presa DIGITAL IN COAXIAL**
- ⑥ **Presa DIGITAL OUT OPTICAL**
- ⑦ **Presa DIGITAL OUT COAXIAL**

Nota

Durante la riproduzione dello strato di un CD Super Audio, i segnali audio sono emessi solo dalle prese BALANCED OUT e ANALOG OUT.

⑧ **SYSTEM CONNECTOR**

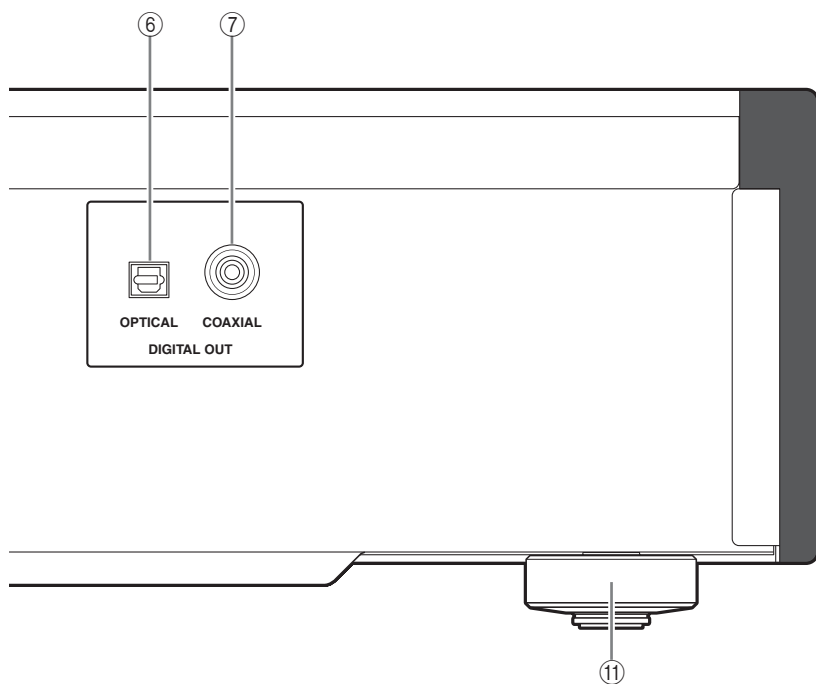
Utilizzare questo connettore per collegare un dispositivo di controllo del prodotto per assistenza.

⑨ **Prese REMOTE IN/OUT**

Utilizzare queste prese per connettere un componente esterno per il funzionamento da remoto. Per ulteriori dettagli sul collegamento, vedere pagina 21.

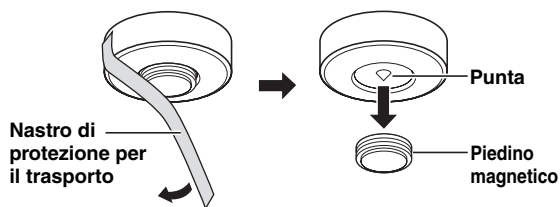
⑩ **Presa AC IN**

Collegare a questa presa il cavo di alimentazione in dotazione. Vedere pagina 20 per informazioni sui collegamenti.



11 Piedino

I piedini di quest'unità incorporano delle punte. Usando le punte è possibile ridurre le vibrazioni del sistema. Se si usano le punte, togliere il nastro di protezione per il trasporto, quindi togliere il piedino magnetico tirandolo.



Attenzione

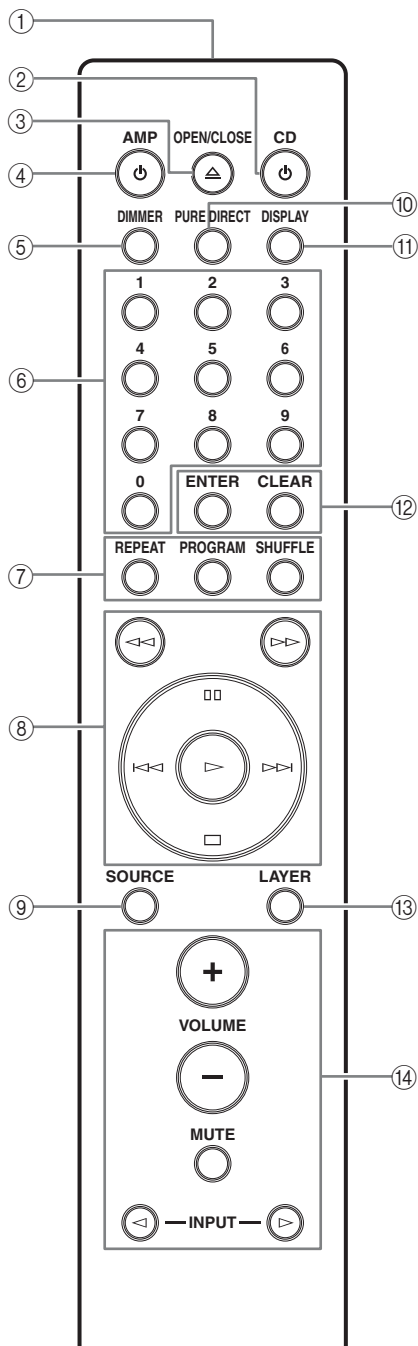
Se si usano le punte incorporate nei piedini, tenere presente che possono graffiare il ripiano o il pavimento su cui quest'unità è installata. Se quest'unità è installata su mobili costosi o simili, usare il piedino magnetico o supporti appropriati.



Se quest'unità fosse poco stabile, regolare l'altezza dei piedini girandoli.

Comandi e loro funzione

■ Telecomando



- ① **Trasmettitore a raggi infrarossi**
Manda segnali ad infrarossi a quest'unità.
- ② **Tasto CD**
Consente di impostare l'unità su ON oppure di impostarla in modalità STANDBY.
Per ulteriori dettagli sulla modalità STANDBY, vedere "Pannello anteriore" (pagina 6).

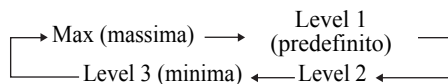
- ③ **Tasto OPEN/CLOSE**
Fa aprire e chiudere il piatto portadischi.

- ④ **Tasto AMP**
Imposta l'amplificatore Yamaha su ON oppure lo imposta in modalità STANDBY.

Nota

Alcuni amplificatori Yamaha non possono essere controllati con il tasto AMP di questo telecomando.

- ⑤ **Tasto DIMMER**
Sceglie il livello di luminosità del display del pannello anteriore. Ogni volta che si preme il tasto DIMMER, il livello della luminosità cambia nel modo seguente:



Questa impostazione viene mantenuta anche se quest'unità viene spenta.

- ⑥ **Pulsanti numerici**
Vengono usati per scegliere i brani direttamente.

Nota

Quest'operazione non funziona con dischi MP3 e WMA.

- ⑦ **Tasto REPEAT**
Ripete la riproduzione di un singolo brano o di tutti i brani. Ogni volta che si preme il tasto REPEAT durante la riproduzione, la modalità di riproduzione ripetuta cambia nel modo seguente:

REPEAT OFF (riproduzione ripetuta disattivata):

La riproduzione ripetuta è stata annullata.

REP S (modalità di riproduzione di un singolo brano):

Alla fine del brano attuale, la riproduzione riprende dal suo inizio.

REP ALL (modalità di riproduzione completa):

Alla fine dell'ultimo brano, la riproduzione riprende dal primo.

Nota

Quest'operazione non funziona con dischi MP3 o WMA.

Tasto PROGRAM

Attiva o disattiva la caratteristica di riproduzione programmata. Vedere "Riproduzione programmata" (pagina 14).

Tasto SHUFFLE

Riproduce i brani presenti sul disco in ordine casuale (riproduzione casuale).

Note

- Quest'operazione non funziona con dischi MP3 e WMA.
- La modalità di riproduzione casuale viene cancellata quando la riproduzione si ferma o il disco viene espulso.

⑧ <<< Tasto (Ricerca all'indietro)

▷▷▷ Tasto (Ricerca in avanti)

Permettono di saltare brani in avanti/all'indietro.

⏸ Tasto (Pausa)

Porta la riproduzione in pausa. Premere il tasto ▷ o ◻ per far riprendere la riproduzione.

▷ Tasto (Riproduzione)

Inizia la riproduzione.

<<< Tasto (Salto all'indietro)

Premere questo tasto una volta per tornare all'inizio del brano attuale.

Premere questo tasto due volte per saltare all'inizio del brano precedente.

▷▷▷ Tasto (Salto in avanti)

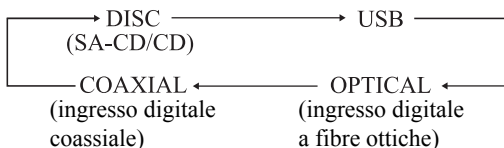
Premere questo tasto una volta per saltare al brano successivo.

⏹ Tasto (Arresto)

Fa cessare la riproduzione.

⑨ Tasto SOURCE

Consente di selezionare la sorgente audio da riprodurre. A ogni pressione del tasto, la sorgente audio cambia.



L'impostazione della sorgente audio viene mantenuta anche se quest'unità viene spenta.

⑩ Tasto PURE DIRECT

Attiva la modalità PURE DIRECT per aumentare la qualità dell'audio.

Quando quest'unità si trova in modalità PURE DIRECT:

- L'indicatore PURE DIRECT si illumina.
- Nessun segnale viene emesso dalle prese DIGITAL OUT (OPTICAL e COAXIAL) sul pannello posteriore (pagina 10).
- Il display del pannello anteriore visualizza un numero minimo di indicatori e messaggi.

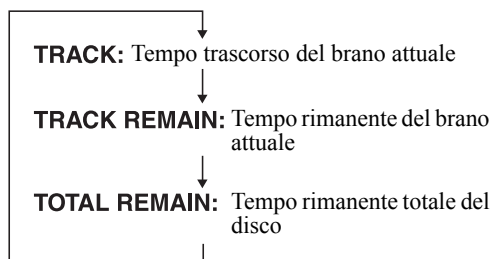


- Premere di nuovo questo tasto per disattivare la modalità PURE DIRECT.

- Questa impostazione viene mantenuta anche se quest'unità viene spenta.

⑪ Tasto DISPLAY

Fa cambiare il tempo visualizzato. Ogni volta che si preme il tasto DISPLAY durante la riproduzione, la modalità di indicazione del tempo cambia nel modo seguente:



⑫ Tasto ENTER

Conferma il numero di brano digitato durante la programmazione di brani.

Tasto CLEAR

Cancella l'ultimo brano programmato quando quest'unità si trova nella modalità di modifica di programmi. Vedere "Riproduzione programmata" (pagina 14)



Per cancellare tutti i brani programmati, premere il tasto CLEAR mentre la riproduzione programmata è ferma.

⑬ Tasto LAYER

Consente di impostare lo strato di riproduzione di un CD Super Audio ibrido su SA-CD o su CD mentre la riproduzione è ferma (pagina 27).



Questa impostazione viene mantenuta anche se quest'unità viene spenta.

Nota

Quando è selezionato lo strato SA-CD, i segnali audio vengono emessi solo dalle prese BALANCED OUT e ANALOG OUT.

⑭ Tasti di funzionamento amplificatore Yamaha

Consentono di far funzionare l'amplificatore Yamaha. Vedere il manuale dell'utente dell'amplificatore per ulteriori dettagli.

Nota

Alcuni amplificatori Yamaha non possono essere controllati con i tasti di questo telecomando.

Vedere pagina 28 per maggiori informazioni sulla riproduzione di file MP3/WMA.

Comandi e loro funzione

■ Riproduzione programmata

Nella modalità di riproduzione programmata, potete riprodurre brani in un ordine desiderato.

Note

- Quest'operazione non funziona con dischi MP3 e WMA.
- I brani programmati vengono cancellati nei seguenti casi:
 - quando il disco viene espulso
 - quando l'unità viene spenta o entra in modalità STANDBY
 - quando viene selezionata una sorgente audio diversa dal disco
 - quando lo strato di riproduzione di un Super Audio CD ibrido passa da SA-CD a CD e viceversa

1 Premere il pulsante PROGRAM mentre la riproduzione è ferma.

Quest'unità viene portata nella modalità di modifica di programmi.

2 Scegliere un brano con i pulsanti numerici e premere ENTER.

3 Per programmare il brano successivo, ripetere la fase 2.

Potete programmare fino a 24 brani.

4 Premere il tasto ▷ (Riproduzione).

La riproduzione inizia dall'inizio del programma.

■ Impostazione della larghezza di banda DPLL (Digital Phased Lock Loop)

Il DAC audio (ES9018) di quest'unità utilizza DPLL per generare segnali dell'orologio accurati e sincronizzati con l'orologio del segnale audio digitale in ingresso. L'impostazione della larghezza di banda DPLL a 7 fasi fornisce all'unità la tolleranza per le fluttuazioni dell'orologio del segnale digitale in ingresso e la regolazione dell'accuratezza dell'orologio nel DAC.

1 Premere SOURCE per selezionare la sorgente audio da riprodurre.

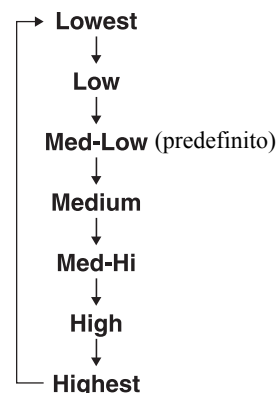
La larghezza di banda DPLL può essere impostata per ciascuna sorgente audio, rispettivamente.

2 Dopo aver selezionato la sorgente audio, premere ENTER entro 5 secondi.

L'unità entra nel modo di impostazione e la larghezza di banda DPLL impostata attualmente viene visualizzata sul display informativo.

3 Selezionare la larghezza di banda DPLL utilizzando il tasto □□ (pausa) e il tasto □ (arresto).

Ogni volta che viene premuto il tasto □□ (pausa), la larghezza di banda cambia nel modo seguente. Se si preme il tasto □ (arresto), cambia seguendo l'ordine inverso.



4 Premere ENTER.

Il valore di impostazione lampeggia per 3 secondi, quindi l'unità torna al modo normale.

Per annullare l'impostazione, premere CLEAR.

Note

- Più il valore di impostazione della larghezza di banda DPLL si avvicina a "Lowest", maggiore diventa l'accuratezza dell'orologio nel DAC, tuttavia l'unità potrebbe essere sensibile a un cambiamento nell'orologio del componente esterno. L'audio emesso da tale componente potrebbe saltare più facilmente.
- Più il valore di impostazione della larghezza di banda DPLL si avvicina a "Highest", minore diventa l'accuratezza dell'orologio nel DAC, tuttavia l'unità è molto meno sensibile a un cambiamento nell'orologio del componente esterno e l'audio emesso da tale componente difficilmente salta.

■ Impostazione della funzione AUTO POWER STANDBY

La funzione AUTO POWER STANDBY può essere impostata su ON o su OFF. Se è impostata su ON e l'unità rimane inattiva per 30 minuti senza alcun segnale audio rilevato, l'unità entra automaticamente in modalità STANDBY. Se è impostata su OFF, l'unità non entra automaticamente in modalità STANDBY.

1 Aprire il piatto portadisco e rimuovere l'eventuale disco attualmente caricato dall'unità.

Saltare i passaggi da 1 a 3 se sul display informativo viene visualizzato "NO DISC".

2 Chiudere il piatto portadisco.

3 Premere SOURCE per selezionare "DISC" come sorgente audio.

Sul display informativo viene visualizzato "NO DISC".

4 Tenere premuto il tasto □ (Arresto) o ▷ (Riproduzione) sul pannello anteriore per 2 secondi circa per cambiare l'impostazione.

Tasto □ (Arresto): La funzione AUTO POWER STANDBY viene impostata su ON e sul display informativo viene visualizzato "AutoSTBY ON".

Tasto ▷ (Riproduzione): La funzione AUTO POWER STANDBY viene impostata su OFF e sul display informativo viene visualizzato "AutoSTBY OFF".

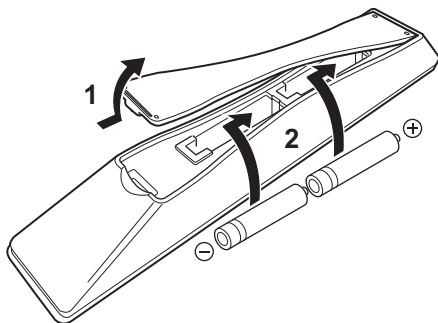
Note

- L'impostazione predefinita della funzione AUTO POWER STANDBY è ON.
- Questa impostazione viene mantenuta anche se quest'unità viene spenta.

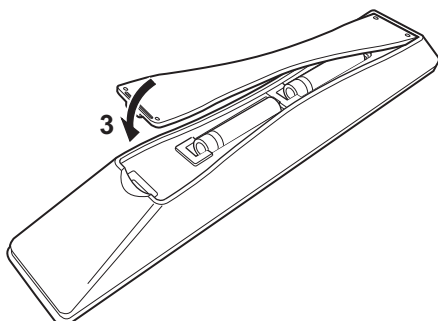
Comandi e loro funzione

■ Installazione delle batterie nel telecomando

- 1 Rimuovere il coperchio del vano batterie.
- 2 Inserire due batterie (AAA, R03, UM-4) tenendo presente le indicazioni di polarità (+ e -) all'interno del vano batterie.



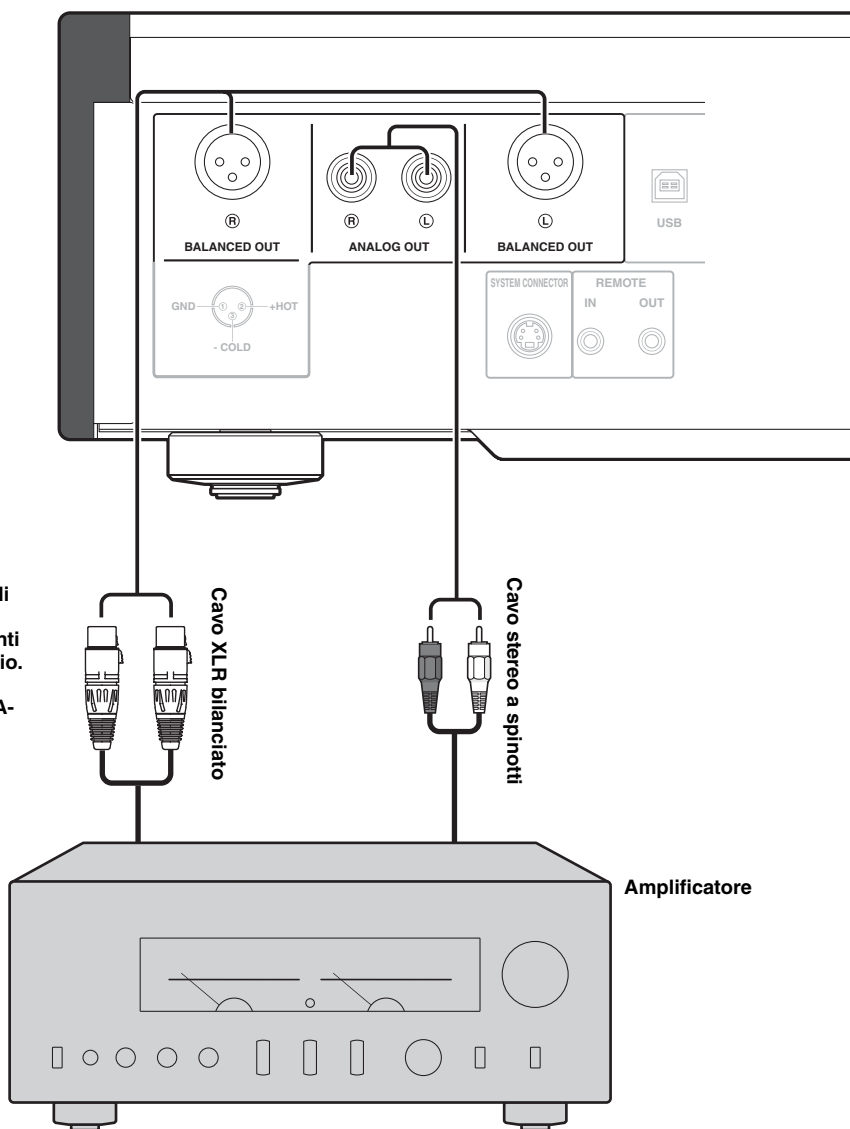
- 3 Riapplicare il coperchio del vano batterie.



CD-S3000 **Collegamenti**

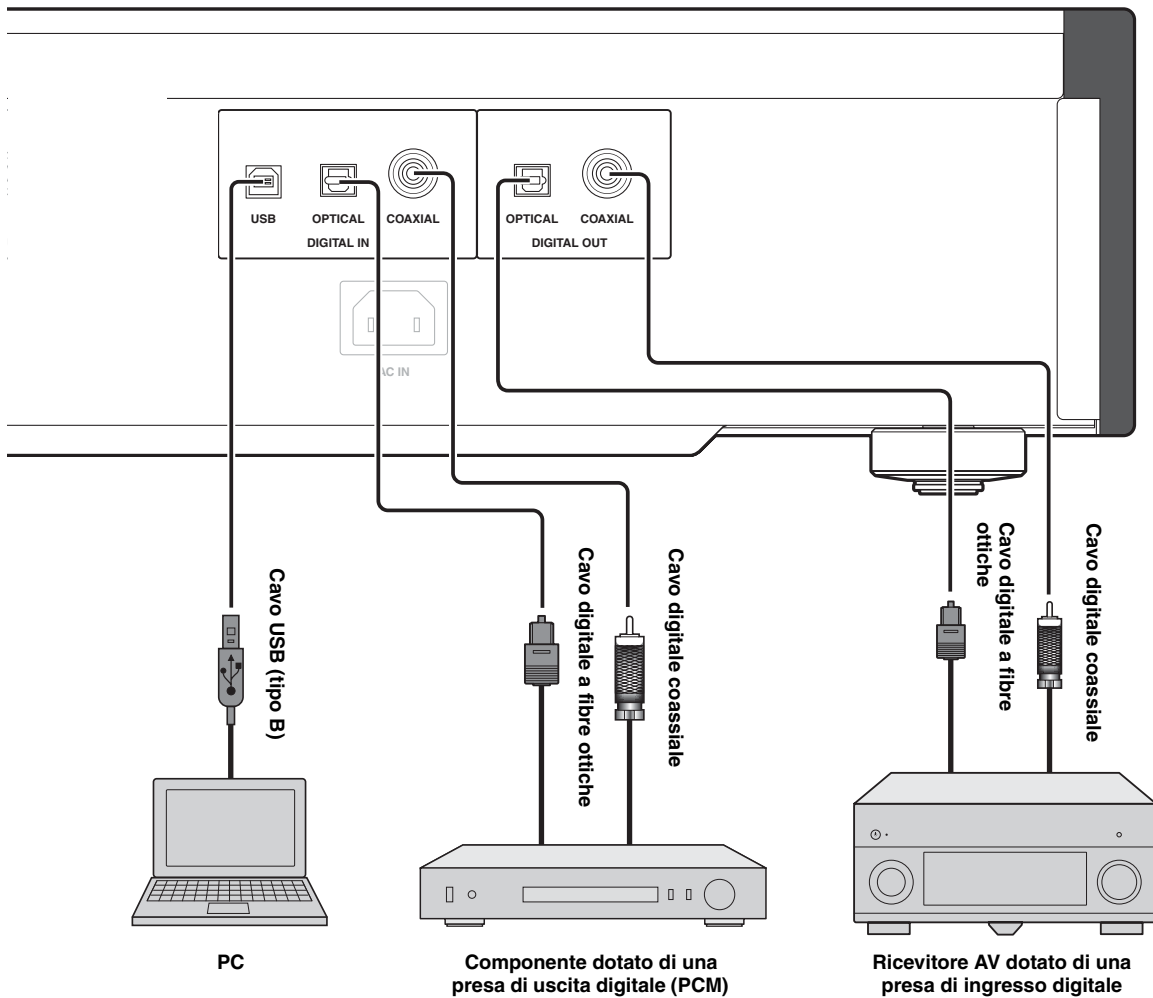
In questa sezione vedremo i collegamenti fra il CD-S3000 e l'amplificatore in uso.





Se il proprio amplificatore è dotato di prese di ingresso bilanciate XLR, raccomandiamo di usare collegamenti bilanciati per ottimizzare la resa audio.

Quando viene riprodotto lo strato SA-CD, i segnali audio vengono emessi solo dalle prese **BALANCED OUT** e **ANALOG OUT**.



Nota

Solo i segnali PCM possono essere inviati alle prese DIGITAL IN (OPTICAL/COAXIAL) di quest'unità. Per ulteriori dettagli sui segnali PCM supportati, vedere pagina 26.

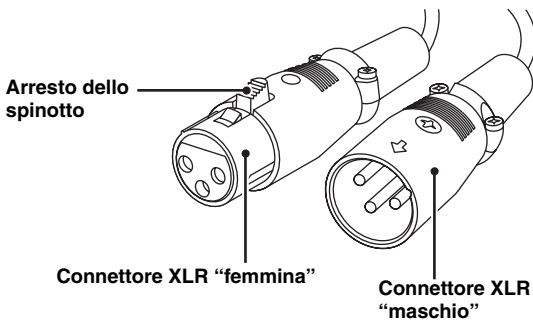
Collegamenti

■ Collegamento alle prese BALANCED OUT

Collegare il proprio amplificatore usando le prese di ingresso XLR bilanciate. L'assegnazione dei piedini di queste prese è la seguente. Consultare il manuale dell'utente dell'amplificatore e controllare che i suoi ingressi XLR bilanciati siano compatibili con l'assegnazione dei piedini.

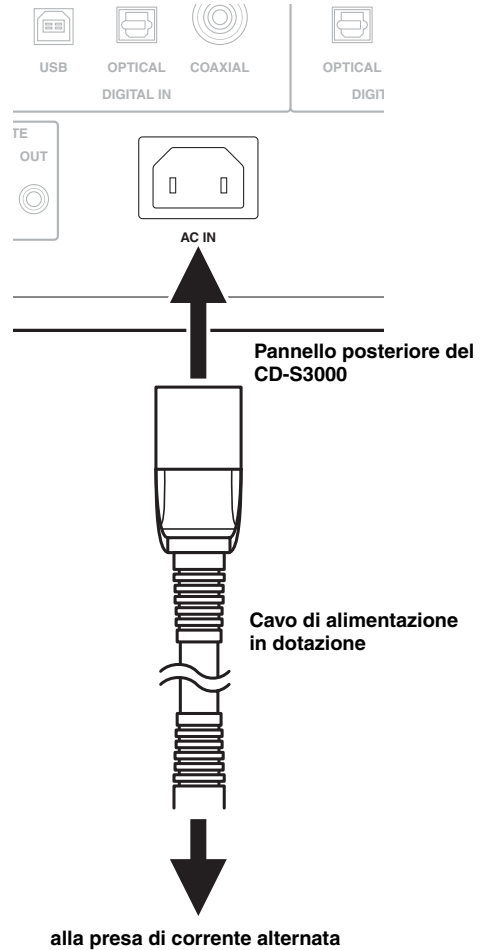


Quando si collega, accertarsi di far corrispondere i piedini ed inserire il connettore "femmina" del cavo XLR bilanciato. Per scollegare il cavo, estrarre il connettore del cavo XLR "femmina" bilanciato mentre si preme sull'arresto dello spinotto.



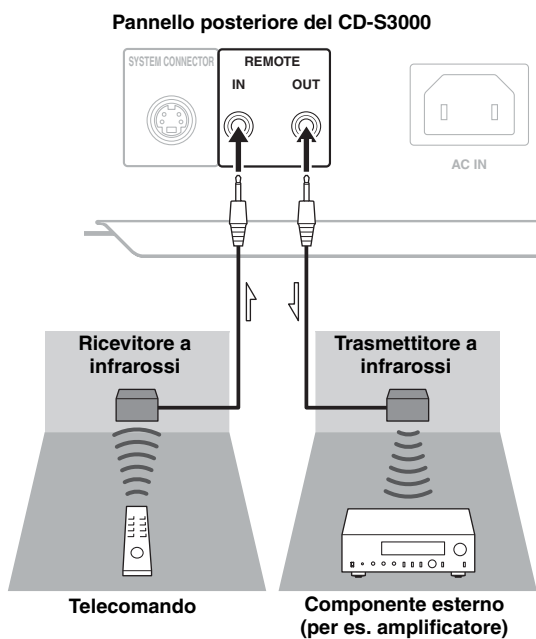
■ Collegamento del cavo di alimentazione

Collegare il cavo di alimentazione alla presa AC IN solo a collegamenti completi, collegando poi l'altro capo ad una presa di corrente alternata.



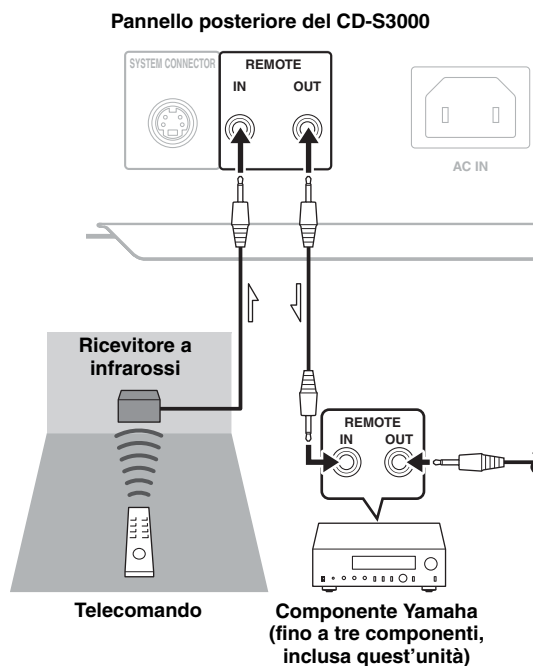
■ Come comandare quest'unità da un'altra stanza

Se si collega un trasmettitore e ricevitore a infrarossi alle prese REMOTE IN/OUT di quest'unità, è possibile comandare quest'unità e/o il componente esterno utilizzando il telecomando in dotazione in un'altra stanza.



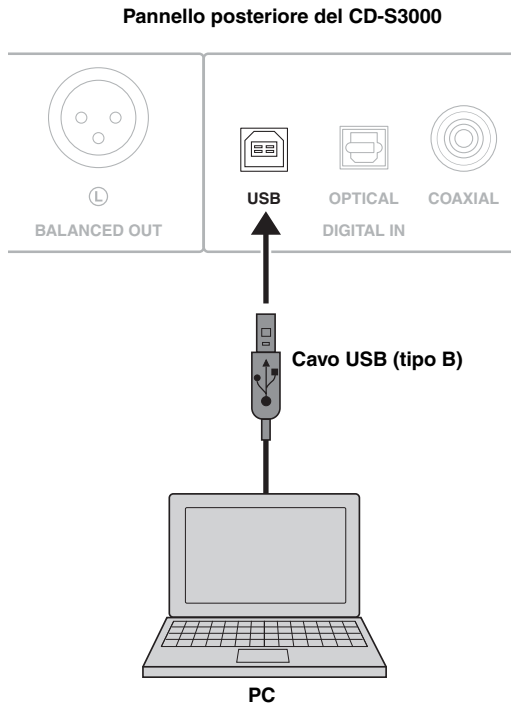
■ Connessione remota tra componenti Yamaha

Se si dispone di un altro componente Yamaha che supporta la connessione remota come quest'unità, non è necessario un trasmettitore a infrarossi. È possibile trasmettere segnali remoti collegando un ricevitore a infrarossi e la presa REMOTE IN dell'altro componente alle prese REMOTE IN/OUT di quest'unità utilizzando cavi con minispinnotti monofonici. È possibile collegare fino a tre componenti Yamaha (inclusa quest'unità).



Riproduzione di file musicali archiviati su un PC

Quando un PC è collegato alla presa USB di quest'unità, l'unità funziona come un DAC USB, rendendo possibile la riproduzione dei file musicali archiviati sul PC tramite un amplificatore collegato all'unità.



■ Sistemi operativi supportati

Il collegamento USB con quest'unità è possibile solo per i PC su cui sono installati i seguenti sistemi operativi:

Windows: Windows Vista (SP2, 32bit/64bit)/
Windows 7 (32bit/64bit)/
Windows 8 (32bit/64bit)

Mac: OS X 10.5.8/10.6.8/10.7.x/10.8.x

Note

- Il funzionamento con sistemi operativi diversi non è garantito.
- Le operazioni potrebbero non essere disponibili anche con i sistemi operativi sopra elencati a seconda della configurazione o dell'ambiente operativo del PC.
- È possibile che le operazioni non vengano eseguite correttamente se il PC viene collegato a quest'unità prima dell'installazione del driver.

■ Installazione del driver dedicato

Prima di collegare un PC a quest'unità, installare il driver dedicato sul PC.

- 1 Accedere all'URL seguente, scaricare il file "Yamaha Steinberg USB Driver" dedicato, quindi estrarre ed eseguire il file.**

Sito web da cui scaricare il driver

URL: <http://download.yamaha.com/>

- 2 Installare il file "Yamaha Steinberg USB Driver" sul PC.**

Per ulteriori dettagli, consultare la Guida all'installazione in dotazione con il driver scaricato.

- 3 Una volta completata l'installazione, chiudere tutte le applicazioni in esecuzione.**

- 4 Impostare la destinazione di uscita audio del computer su "Yamaha CD Player".**

Con sistema operativo Windows:

Pannello di controllo → Audio → Scheda [Riproduzione]

Con sistema operativo Mac:

Preferenze di sistema → Suono → Scheda [Uscita]

L'impostazione può variare a seconda del sistema operativo in uso. Per ulteriori dettagli, rivolgersi al produttore del proprio PC.



Le frequenze di campionamento trasmissibili sono le seguenti:
44,1 kHz/48 kHz/88,2 kHz/96 kHz/176,4 kHz/192 kHz

Note

- È possibile che le operazioni non vengano eseguite correttamente se il PC viene collegato a quest'unità prima dell'installazione del driver.
- Se il driver è installato su un computer Windows XP, la velocità del computer potrebbe risultare ridotta. In tal caso, riavviare il computer.
- Il file "Yamaha Steinberg USB Driver" è soggetto a modifiche senza preavviso. Per ulteriori dettagli e per consultare le informazioni più aggiornate, fare riferimento alla pagina di download del driver.

■ Riproduzione di file musicali archiviati sul PC

1 Collegare il PC a quest'unità utilizzando un cavo USB.

2 Accendere il PC.

3 Accendere quest'unità premendo l'interruttore STANDBY/ON/OFF sul pannello anteriore.

4 Selezionare "USB" utilizzando il tasto SOURCE su quest'unità.

5 Impostare la destinazione di uscita audio del PC su "Yamaha CD Player".

Con sistema operativo Windows:

Pannello di controllo → Audio → Scheda [Riproduzione]

Con sistema operativo Mac:

Preferenze di sistema → Suono → Scheda [Uscita]

L'impostazione può variare a seconda del sistema operativo in uso. Per ulteriori dettagli, rivolgersi al produttore del proprio PC.

6 Controllo del PC per avviare la riproduzione di file musicali.

Quando il segnale musicale viene inviato dal PC all'unità, la frequenza di campionamento del file in riproduzione è indicata sul display dell'unità.

■ Regolazione del volume dell'audio

Per ottenere una qualità dell'audio ottimale, impostare il volume dell'audio sul PC al massimo e aumentare gradualmente il volume sull'amplificatore, partendo dal livello minimo fino ad arrivare al livello desiderato.

Note

- Non scollegare il cavo USB, spegnere l'unità o cambiare l'ingresso con il tasto SOURCE mentre è in corso la riproduzione su un PC collegato tramite il cavo USB. In caso contrario, potrebbero verificarsi problemi di funzionamento.
- Per disattivare l'audio delle operazioni del PC durante la riproduzione musicale, modificare l'impostazione sul PC.
- Se non si riesce a riprodurre correttamente i file musicali, riavviare il computer ed eseguire nuovamente la procedura sopra descritta.
- I file musicali archiviati su un PC non possono essere controllati da quest'unità o dal telecomando di quest'unità. Controllarli dal PC.

CD-S3000

Dati tecnici

Questa sezione contiene le caratteristiche tecniche del CD-S3000.



SEZIONE AUDIO

- Risposta in frequenza (1 kHz, 0 dB)
 - SA-CD Da 2 Hz a 50 kHz (-3 dB)
 - CD Da 2 Hz a 20 kHz
- Range delle frequenze di riproduzione Da 2 Hz a 96 kHz
- Distorsione armonica (DAC) (1 kHz, 0 dB)
 - SA-CD 0,002% o meno
 - CD 0,002% o meno
- Rapporto segnale/rumore (IHF-A Network) (1 kHz, 0 dB)
 - SA-CD/CD 116 dB o più
- Gamma dinamica (1 kHz, 0 dB)
 - SA-CD 110 dB o più
 - CD 100 dB o più
- Livello di uscita (1 kHz, 0 dB)
 - SA-CD/CD 2,0 ± 0,3 V

PROPRIETÀ DEL DIODO LASER

- Lunghezza d'onda
 - SA-CD 655 nm
 - CD 790 nm
- Potenza d'uscita
 - SA-CD 1,89 mW (max.)
 - CD 1,36 mW (max.)

SEZIONE INGRESSO/USCITA

- Ingresso digitale (DIGITAL IN)
 - USB (tipo B) × 1 Compatibile con USB 2.0
 - OPTICAL × 1
 - COAXIAL × 1
 - Frequenze di campionamento audio supportate 44,1/48/88,2/96/176,4/192 kHz
 - Profondità 16 bit/24 bit
- Uscita digitale (DIGITAL OUT)
 - OPTICAL × 1
 - COAXIAL × 1
 - Frequenze di campionamento audio supportate 44,1/48/88,2/96/176,4/192 kHz
 - Profondità 16 bit/24 bit
- Uscita audio
 - ANALOG OUT non bilanciato × 2 ch (L/R)
 - BALANCED OUT bilanciato × 2 ch (L/R)
- Presa di ingresso/uscita da remoto
 - REMOTE IN
 - REMOTE OUT
- Connettore di sistema
 - SYSTEM CONNECTOR

DATI GENERALI

- Alimentazione
 - [Modelli per la Cina, la Corea, l'Asia, l'Australia, il Regno Unito e l'Europa] C.a. da 220 - 240 V, 50/60 Hz
 - [Modelli per gli Stati Uniti, il Canada e Taiwan] C.a. da 110 - 120 V, 50/60 Hz
- Consumo 30 W
- Consumo in modalità standby (dati di riferimento) 0,3 W
- Dimensioni (L × A × P) 435 × 142 × 440 mm
- Peso 19,2 kg

* Dati tecnici soggetti a modifiche senza preavviso.

Cura di quest'unità**Finitura lucida dei pannelli laterali**

Si raccomanda l'impiego del panno Yamaha Unicon (opzionale). Per rimuovere lo sporco più resistente, utilizzare Yamaha Piano Unicon (opzionale). Per acquistare questi articoli, contattare il rivenditore autorizzato o centro assistenza Yamaha più vicino.

Altre finiture

Pulire quest'unità senza usare solventi (ad esempio alcol, diluenti ecc.) che potrebbero danneggiare le finiture. Usare solo un panno pulito e asciutto. Per rimuovere lo sporco più resistente, inumidire un panno morbido con acqua mescolata a poco detergente, strizzarlo e strofinare l'unità delicatamente.

Formato dei dischi riproducibili

Tipi di disco supportati

Quest'unità è progettata per riprodurre CD che portano i simboli che seguono. Non tentare di caricare alcun altro tipo di disco in quest'unità. Quest'unità può inoltre riprodurre CD da 8 cm.

CD Super Audio

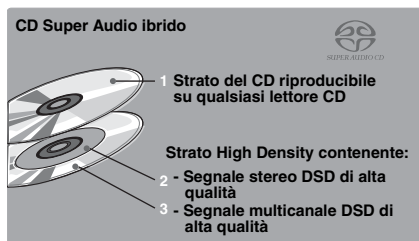
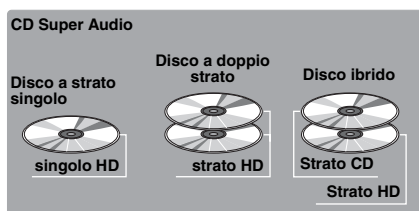


SUPER AUDIO CD

Un formato audio basato sugli standard CD attuali, ma di maggiore capienza e quindi di qualità audio superiore. Esistono tre tipi di disco: a strato singolo, a doppio strato ed ibridi. I dischi ibridi possono venire riprodotti con lettori CD tradizionali e con lettori CD Super Audio, dato che contengono informazioni audio sia CD standard che CD Super Audio.

Nota

Quest'unità non mostra dati testuali col display del pannello anteriore.



CD (audio digitale)



I dischi più usati fra i CD audio in commercio.

Dischi audio digitali CD-R, CD-RW



CD contenenti musica ottenuti copiando un CD-R o CD-RW (inclusi quelli contenenti file MP3 o WMA).

Nota

- Usare sempre CD-R o CD-RW di buona marca.
- Usare un CD-R o CD-RW che riporti o la cui custodia riporti almeno una delle seguenti frasi.
 - FOR CONSUMER
 - FOR CONSUMER USE
 - FOR MUSIC USE ONLY
- Usare sempre CD-R o CD-RW finalizzati.

Dischi CD-TEXT



Sono dischi contenenti dati testuali, ad esempio titoli di album, nomi di brano e nomi di artista. Questi dischi possono venire riprodotti con lettori CD convenzionali.

Nota

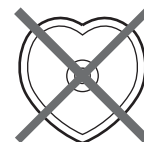
Quest'unità non mostra dati testuali col display del pannello anteriore.

NOTA:

Quest'unità può non essere in grado di riprodurre alcuni CD-RW o dischi non registrati correttamente.

Per evitare problemi a quest'unità:

- Non usare dischi di forma non standard (a cuore ecc.), dato che possono danneggiare quest'unità.
- Non usare dischi che portino etichetta, nastro adesivo o altro. Essi possono bloccarsi nel lettore e causare danni seri.



Formato dei dischi riproducibili

■ Dischi MP3 e WMA

È possibile riprodurre MP3 o WMA contenenti file CD-R e CD-RW come se fossero CD normali.

MP3

MP3 (MPEG-1 Audio Layer-3) è una tecnologia standard e un formato di compressione di file audio. Essa garantisce un livello qualitativo dell'audio spesso indistinguibile dall'originale.

Note

- Quest'unità riproduce file MP3 in ordine alfanumerico.
- Vengono riconosciuti fino a 648 cartelle e file (in totale) e fino a 299 cartelle; tuttavia, alcuni file o cartelle possono non venire riconosciuti a causa della struttura gerarchica del disco.
- A seconda delle condizioni di registrazione, ad esempio delle impostazioni del software di registrazione, quest'unità potrebbe non essere in grado di riprodurre i brani del disco nell'ordine di registrazione.
- Quest'unità è compatibile con una frequenza di campionamento da 44,1 kHz.
- Questa unità è compatibile con bitrate da 32, 40, 48, 56, 64, 80, 96, 112, 128, 160, 192, 224, 256 o 320 kbps. Il bitrate variabile non è supportato.
- Il disco inoltre deve essere ISO9660 compatibile.
- I dati testuali contenuti nei file non vengono visualizzati da quest'unità.

WMA

WMA (Windows Media Audio) è un formato di file audio della Microsoft simile a MP3, ma WMA è in grado di ottenere rapporti di compressione superiori a MP3.

Note

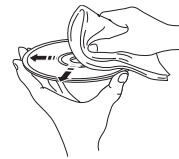
- Quest'unità riproduce file WMA in ordine alfanumerico.
- Vengono riconosciuti fino a 648 cartelle e file (in totale) e fino a 299 cartelle; tuttavia, alcuni file o cartelle possono non venire riconosciuti a causa della struttura gerarchica del disco.
- Quest'unità è compatibile con una frequenza di campionamento da 44,1 kHz.
- Questa unità è compatibile con bitrate da 48, 64, 80, 96, 128, 160 o 192 kbps. Il bitrate variabile non è supportato.
- Il disco inoltre deve essere ISO9660 compatibile.
- I file WMA protetti dalla duplicazione non possono venire riprodotti.
- I dati testuali contenuti nei file non vengono visualizzati da quest'unità.

■ Come maneggiare i CD

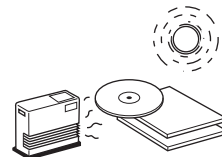
- Trattare i dischi con la dovuta cura in modo da non graffiarli.



- I CD non si consumano durante la riproduzione, ma i danni alla loro superficie possono pregiudicarne la riproduzione.
- Per scrivere sull'etichetta di un disco, usare solo un pennarello morbido o uno strumento simile. Non usare penne a sfera, matite o altri strumenti appuntiti, dato che possono danneggiare il disco e quindi il suono che produce.
- Proteggere i dischi dalle deformazioni.
- Se un disco non è in uso, toglierlo dall'apparecchio e rimmetterlo nella sua custodia.
- Nel rimuovere o conservare un disco, fare attenzione a non graffiarne la superficie.
- La riproduzione di un CD non è influenzata da polvere o impronte sulla sua superficie, ma è bene tenerlo pulito ugualmente. Passare i dischi con un panno soffice ed asciutto. Non strofinare il disco circolarmente; muoversi dal centro verso l'esterno.



- Non provare a pulire la superficie del disco con pulenti per dischi, spray, spray o liquidi antistatici o altre sostanze chimiche, dato che esse possono danneggiarlo irrimediabilmente.
- Non esporre i dischi a luce solare diretta, temperature elevate o umidità eccessiva per periodi prolungati, dato che altrimenti si possono deformare e danneggiare.



- Per riprodurre CD da 8 cm, inserirli nell'incassatura centrale del piatto portadisco. Non mettere mai un CD da 12 cm sopra uno da 8 cm.

Se quest'unità non funziona a dovere, consultare la sezione del manuale che segue. Se il problema che avete non viene trattato o se i rimedi proposti non servono, spegnere quest'unità, scollegare il cavo di alimentazione ed entrare in contatto col rivenditore autorizzato o centro assistenza Yamaha più vicino.

Problema	Causa	Rimedio	Vedere pagina
L'apparecchio non si accende quando si preme verso l'alto STANDBY/ON/OFF.	Il cavo di alimentazione è staccato o inserito in modo non corretto.	Collegare saldamente il cavo di alimentazione.	20
L'unità entra automaticamente in modalità STANDBY.	La funzione di standby automatico è attivata.	Se rimane inattiva per 30 minuti con nessun segnale audio rilevato, l'unità entra automaticamente in modalità STANDBY.	6
Il piatto portadisco non si richiude completamente.	Un qualche oggetto estraneo impedisce la chiusura del piatto.	Esaminare attentamente il piatto e togliere l'eventuale impedimento.	—
La riproduzione non ha inizio.	Il disco è danneggiato.	Controllare attentamente il disco; sostituirlo se necessario.	—
	Si è formata della condensa sul pickup laser.	Accendere l'apparecchio ed attendere 20 o 30 minuti prima di avviare la riproduzione.	—
	Il disco è stato inserito capovolto.	Inserire il disco in modo corretto, con il lato etichettato rivolto verso l'alto.	—
	Il disco è sporco.	Pulirlo.	28
	Quest'unità non è compatibile con i formati MP3 e WMA.	Sostituire il disco con un disco registrato correttamente e che possa essere letto da quest'apparecchio.	28
	Il disco CD-RW (Riscrivibile) non è registrato correttamente.	Sostituire il disco con un disco registrato correttamente e che possa essere letto da quest'apparecchio.	27
La riproduzione inizia con ritardo, o in un punto diverso da quello previsto.	Il disco non è di tipo standard e non può essere letto con quest'apparecchio.	Sostituire il disco con un disco registrato correttamente e che possa essere letto da quest'apparecchio.	27
	Il disco è forse rigato o danneggiato.	Controllare attentamente il disco; sostituirlo se necessario.	28
Nessun suono.	Errato collegamento dei cavi di uscita.	Verificare il collegamento dei cavi. Se il problema persiste, i cavi sono probabilmente difettosi.	18
	L'amplificatore non è predisposto in modo corretto.	Regolare i comandi dell'amplificatore in modo da selezionare l'ingresso corretto.	—
Non viene emesso alcun suono dal componente collegato alle prese di ingresso digitali.	L'unità si trova in modalità PURE DIRECT.	Disattivare la modalità PURE DIRECT.	7
	Lo strato del CD Super Audio è in riproduzione.	Cambiare lo strato per la riproduzione.	7
Il suono "salta".	L'apparecchio subisce vibrazioni o altri disturbi.	Modificare l'installazione dell'apparecchio.	—
	Il disco è sporco.	Pulirlo.	28
	L'orologio del segnale audio di riproduzione fluttua.	Modificare la larghezza di banda DPLL del DAC audio (ES9018).	14
Si sente un rombo.	Cavi collegati in modo difettoso.	Verificare il collegamento dei cavi. Se il problema persiste, i cavi sono probabilmente difettosi.	18

Problema	Causa	Rimedio	Vedere pagina
Disturbi dovuti ad un sintonizzatore vicino.	Il sintonizzatore è troppo vicino all'apparecchio.	Allontanare il sintonizzatore da quest'unità.	—
Rumore dall'interno del piatto portadisco.	Il disco è probabilmente deformato.	Sostituire il disco.	28
Non viene emesso alcun audio dal componente collegato alla presa DIGITAL IN (OPTICAL o COAXIAL).	La sorgente audio in uscita sul componente collegato non è impostata su "PCM".	Solo le sorgenti audio PCM possono essere riprodotte tramite le prese DIGITAL IN (OPTICAL/COAXIAL) di quest'unità. Impostare la sorgente audio in uscita del componente collegato su "PCM".	—
Il telecomando non funziona.	Le batterie del telecomando sono esaurite.	Sostituirle con altre nuove.	16
	Il telecomando viene usato da troppo lontano o ad una angolatura sbagliata.	Usare entro 6 m, ad una deviazione massima di 60°.	9
	La luce solare o di una lampada (a fluorescenza con invertitore, ecc.) colpisce direttamente il sensore del telecomando di quest'unità.	Cambiare la posizione di quest'unità.	9

■ Collegamento USB

Problema	Causa	Rimedio	Vedere pagina
Il PC collegato non riconosce l'unità.	Il sistema operativo del PC non è supportato.	Utilizzare un PC su cui è installato un sistema operativo che ne garantisce il corretto funzionamento.	22
	Collegamento del cavo USB non corretto	Collegare il cavo USB correttamente.	19, 22
	L'uscita del PC o l'applicazione è silenziata.	Annullare il silenziamento dell'audio sul PC o sull'applicazione.	—
Riproduzione disturbata.	Un'altra applicazione viene lanciata sul PC mentre è in riproduzione un file musicale.	Se viene lanciata un'altra applicazione mentre è in riproduzione un file musicale, l'audio potrebbe sparire momentaneamente oppure potrebbero verificarsi disturbi. Non lanciare altre applicazioni durante la riproduzione.	—
Non è possibile riprodurre file musicali.	I dati musicali non vengono riprodotti correttamente perché quest'unità è collegata al PC oppure perché l'ingresso di quest'unità è impostato su "USB" mentre sul PC è in esecuzione un'applicazione musicale.	Collegare quest'unità al PC e impostare l'ingresso dell'unità su "USB" in anticipo. Quindi lanciare l'applicazione musicale e avviare la riproduzione.	23
	Il file "Yamaha Steinberg USB Driver" dedicato non è stato installato correttamente.	Installare nuovamente il file "Yamaha Steinberg USB Driver" rispettando la procedura corretta.	22

■ Messaggi sul display informativo

Messaggio	Stato
NO DISC	Sul piatto portadisco non è presente alcun disco.
Check Cable	Lo “Yamaha Steinberg USB Driver” dedicato non è stato installato correttamente. In alternativa, l’uscita audio del computer non è stata impostata su “Yamaha CD Player”.
Check PC	Impossibile riconoscere il segnale audio proveniente dal computer.
Fs: ----kHz	Assenza di segnali audio riconosciuti.

Historia viva en el mundo del sonido

El nacimiento de un piano es el resultado de una perfecta sinergia entre los conocimientos técnicos más avanzados y la diestra mano del artesano. Solo un piano creado así puede reproducir fielmente la intención de quien lo toca.

La última fase de producción de un piano recibe el nombre de “armonización” (voicing). Y es aquí donde se le infunde el alma.

Un experto con un gran bagaje a sus espaldas pone su técnica y sensibilidad al servicio del sonido de cada tecla, ajustando la ejecución dinámica de los macillos y armonizando a la perfección el tono y el color de las 88 teclas, un auténtico hito. Es una calidad de sonido solo al alcance de los especialistas con una sensibilidad y una afinación fuera de lo común. Este mismo concepto es el que aplicamos en la fabricación de nuestros equipos de audio. Los técnicos realizan incontables pruebas de sonido y todos los componentes se someten a examen para conseguir el sonido perfecto.

La calidad es la seña de identidad de Yamaha desde hace más de 125 años y sigue siendo la piedra angular de los productos Yamaha fabricados hoy.



Excelencia en audio

1920-
1960s

Primer sistema HiFi presentamos en 1920

En 1955 – 1965 hemos presentado numerosos componentes HiFi (tocabiscos, sintonizadores de FM/AM, amplificadores integrados, preamplificadores, amplificadores de potencia, y altavoces).



NS-20



CA-1000

Serie de Altavoces Natural Sound presentada en 1967

Altavoz monitor NS-20

Amplificador integrado CA-1000

Con un funcionamiento clase A, el CA-1000 se convirtió en la referencia de los amplificadores integrados.



NS-690



NS-1000M

1970s

Altavoces Natural Sound NS-690

Altavoz monitor NS-1000M

Un amplificador verdaderamente legendario aún reverenciado por los entusiastas de HiFi.

Amplificador de potencia B-1

Un innovador amplificador de potencia que usaba FETs verticales en todas las etapas.



B-1



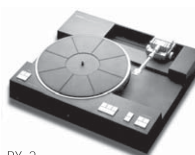
C-2

Amplificador de control C-2

Primer premio en la Muestra Internacional de Música y HiFi de Milán.

Altavoz monitor de estudio NS-10M

Se convirtió en uno de los altavoces monitores de estudio más populares del mundo.



PX-2



NS-10M

Amplificador integrado A-1

Giradiscos PX-2

Primer tocadiscos de brazo recto de Yamaha.



A-1

1980s

Amplificador de potencia B-6

Amplificador de potencia en forma de pirámide.

Giradiscos GT-2000/L

Primer reproductor de CD (CD-1) presentado en 1983

Amplificador de potencia B-2x

Amplificador de potencia MX-10000 y amplificador de control CX-10000

Redefinió la capacidad de los componentes separados.

B-6



B-2x



MX-10000



CX-10000

Amplificador integrado AX-1

1990s

Reproductor de CD GT-CD1

Amplificador de potencia MX-1 y preamplificador CX-1

2000s

Sistemas de altavoces Natural Sound Soavo-1 y Soavo-2

Amplificador estéreo A-S2000 y reproductor CD Super Audio CD-S2000

2010s

Reproductor de red NP-S2000



Soavo-1



A-S2000



CD-S2000



NP-S2000

CD-S3000

- ◆ *Transmisión de señal equilibrada de etapa completa con el DAC que logra lo último en reproducción de CD*
- ◆ *Suministros de alimentación independientes con señales digitales y analógicas completamente separadas*
- ◆ *Mecanismo de carga exclusivo de Yamaha y unidad de CD de alta precisión*
- ◆ *Diseño simétrico de izquierda-derecha con construcción fuerte y estable*
- ◆ *Pure Direct*
- ◆ *Supersonido de Super Audio CD*
- ◆ *Patas resistentes con puntas antivibración de nuevo diseño*
- ◆ *Reproducción DSD a través de un DAC USB de 192 kHz y 24 bits*

■ Accesorios suministrados

Verifique que ha recibido todos los componentes siguientes.

- Cable de alimentación
- Mando a distancia
- Pilas (AAA, R03, UM-4) (×2)
- Cable con clavijas estéreo
- FOLLETO DE SEGURIDAD

Índice

Controles y funciones	6
Conexiones	18
Reproducción de archivos de música guardados en un PC.....	22
Especificaciones	26
Formato de disco reproducible	27
Solución de problemas	29

■ Acerca de este manual

- ✨ indica un consejo para su utilización.
- El color de las imágenes de este manual puede ser diferente al original.
- Lea el “FOLLETO DE SEGURIDAD” antes de utilizar esta unidad.

CD-S3000

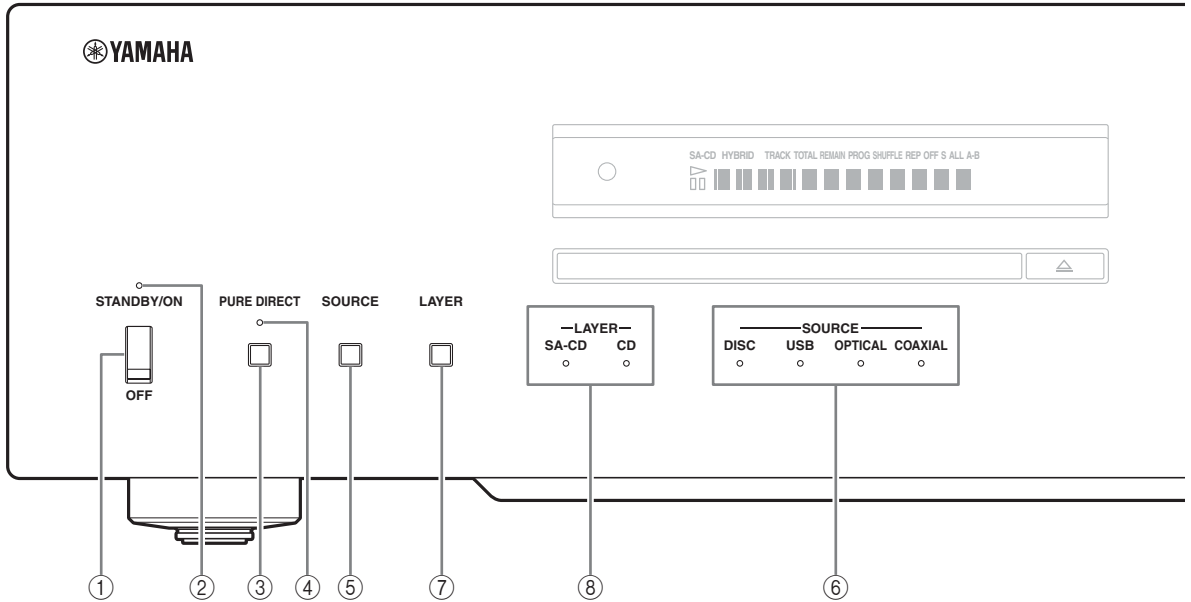
Controles y funciones

En este capítulo podrá familiarizarse con los controles y funciones del CD-S3000.



Controles y funciones

■ Panel delantero (páginas 6 a 9)



① Interruptor STANDBY/ON/OFF

Enciende o apaga esta unidad.

STANDBY/ON (posición superior):

En esta posición, puede seleccionar STANDBY u ON pulsando la tecla CD en el mando a distancia.

OFF (posición inferior):

La alimentación de esta unidad está apagada.

Notas

- Cuando encienda esta unidad, tendrá que esperar unos segundos antes de que pueda reproducir sonido.
- Si no se utiliza esta unidad durante 30 minutos y no se detecta señal de audio, pasa al modo STANDBY (página 15).
- Si desconecta el cable de alimentación de la toma de CA y vuelve a conectarlo mientras la unidad está en el modo STANDBY, se enciende la alimentación de la unidad (página 20). Si la unidad no va a utilizarse durante un período prolongado, sitúe el interruptor STANDBY/ON/OFF en OFF.

② Indicador STANDBY/ON

Iluminación intensa:

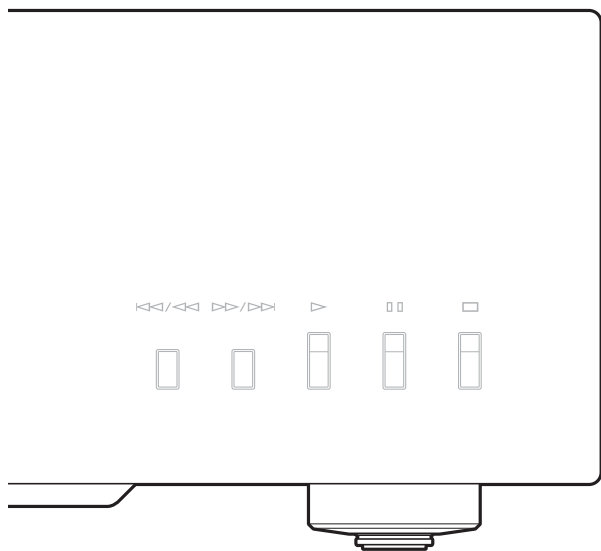
Indica que la unidad está encendida. En este estado, puede activar el modo STANDBY pulsando la tecla CD en el mando a distancia.

Iluminación tenue:

Indica que la unidad se encuentra en el modo STANDBY. En este estado, puede pulsar la tecla CD en el mando a distancia para encender la unidad.

Apagado:

Indica que la unidad está apagada. En este estado, solo puede encender la unidad pulsando el interruptor STANDBY/ON/OFF.



③ Tecla PURE DIRECT

Activa el modo PURE DIRECT para mejorar la calidad de audio.

Cuando esta unidad está en el modo PURE DIRECT:

- No se emite ninguna señal por los jacks DIGITAL OUT (OPTICAL y COAXIAL) del panel trasero (página 10).
- Los últimos indicadores y mensajes aparecen en el visor del panel delantero.



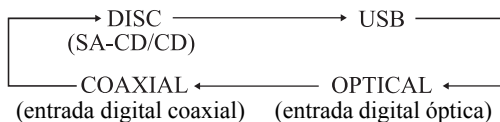
- Pulse de nuevo esta tecla para desactivar el modo PURE DIRECT.
- Este ajuste se mantiene aunque usted apague esta unidad.

④ Indicador PURE DIRECT

Se ilumina al activar el modo PURE DIRECT.

⑤ Tecla SOURCE

Permite seleccionar la fuente de audio reproducida. La fuente de audio cambia cada vez que pulsa esta tecla.



El ajuste de la fuente de audio se mantiene aunque apague esta unidad.

⑥ Indicadores SOURCE

Se ilumina el indicador de la fuente de audio seleccionada con la tecla SOURCE.

⑦ Tecla LAYER

Permite seleccionar la capa de reproducción de un Super Audio CD híbrido entre las opciones SA-CD y CD mientras la reproducción está detenida (página 27).



Este ajuste se mantiene aunque usted apague esta unidad.

Nota

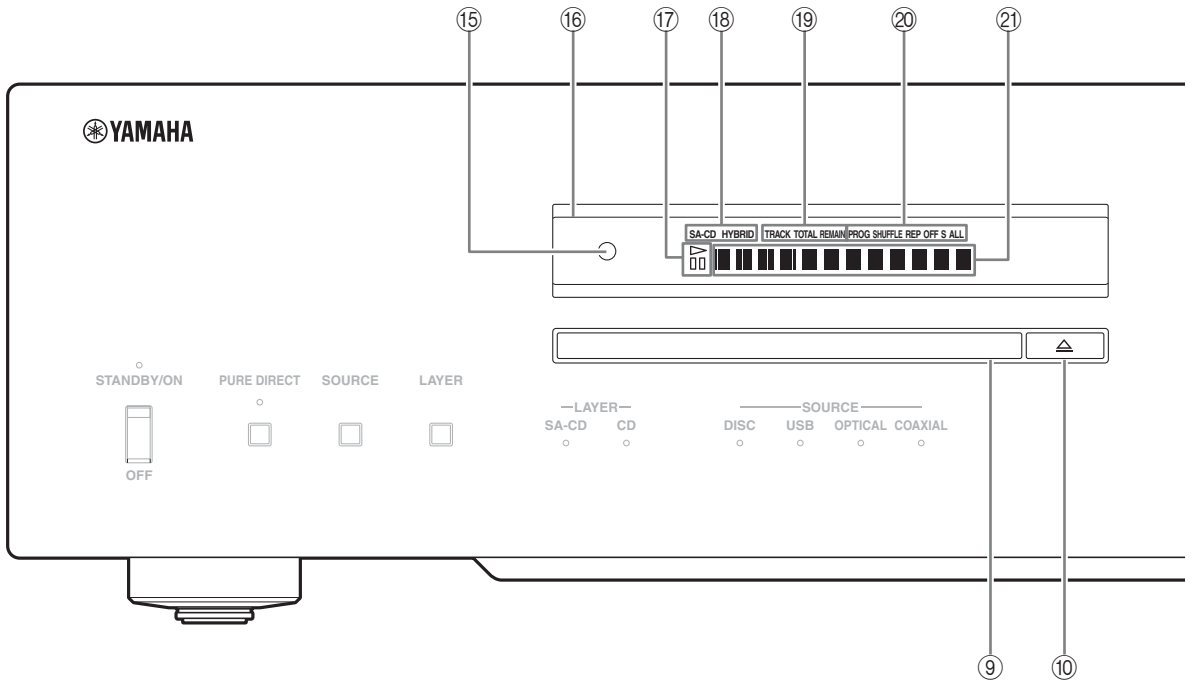
Si selecciona la capa SA-CD, las señales de audio se emiten solo por los jacks BALANCED OUT y ANALOG OUT.

⑧ Indicadores LAYER

Se ilumina el indicador de la capa seleccionada con la tecla LAYER.

Controles y funciones

■ Panel delantero (páginas 6 a 9)



⑨ **Bandeja de disco**

Carga un disco.

⑩ **Tecla \triangle (Abrir/cerrar)**

Abre o cierra la bandeja del disco.



La bandeja del disco también se cierra automáticamente al pulsar:

- la tecla \triangleright (Reproducción) en el panel delantero o el mando a distancia.
- el borde delantero de la bandeja del disco con suavidad.
- un botón numérico del mando a distancia.

⑪ **Tecla \lll / \lll (Salto/búsqueda hacia atrás)**

Pulse la tecla una vez para saltar al principio de la pista actual.

Pulse la tecla dos veces para saltar al principio de la pista anterior.

Manténgala pulsada para buscar hacia atrás.

Tecla \ggg / \ggg (Salto/búsqueda hacia delante)

Pulse la tecla una vez para saltar a la siguiente pista. Manténgala pulsada para buscar hacia delante.

⑫ **Tecla \triangleright (Reproducción)**

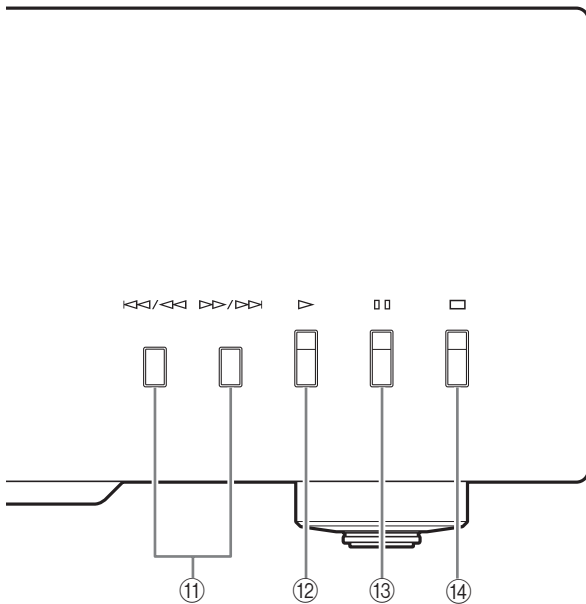
Inicia la reproducción.

⑬ **Tecla $\square \square$ (Pausa)**

Hace una pausa en la reproducción. Pulse la tecla \triangleright o $\square \square$ para reanudar la reproducción.

⑭ **Tecla \square (Parada)**

Detiene la reproducción.

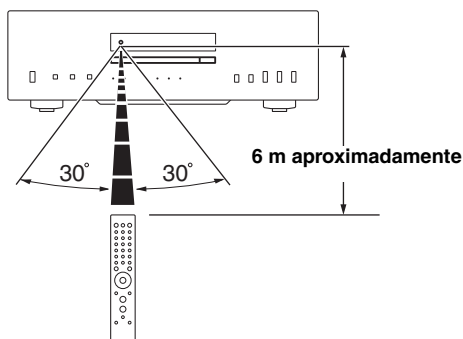


15 Sensor de mando a distancia

Recibe señales del mando a distancia.



El mando a distancia transmite un haz infrarrojo direccional. Asegúrese de apuntar directamente el mando a distancia al sensor de mando a distancia del panel delantero de esta unidad durante el funcionamiento.



16 Pantalla

El brillo puede ajustarse con la tecla DIMMER del mando a distancia (página 12).

17 Indicador ▷ (reproducción) / ◻◻ (pausa)

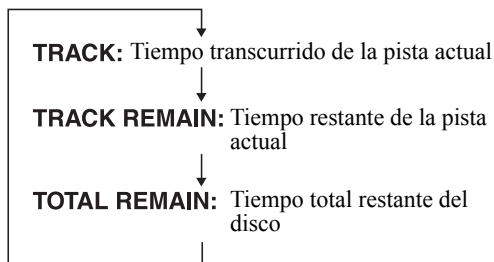
Se ilumina cuando el modo de reproducción/pausa está activado.

18 Indicador del tipo de disco

Indica el tipo de disco cargado en la bandeja del disco (SA-CD/CD/HYBRID).

19 Indicador del modo de visualización de tiempo

Indica el modo de visualización del tiempo en la pantalla. Para cambiar de modo, pulse el botón DISPLAY en el mando a distancia (página 13).



20 Indicador del modo de reproducción

Indica el modo de reproducción actual.

PROG: reproducción programada (página 14)

SHUFFLE: reproducción aleatoria (página 13)

REP OFF: repetición de la reproducción desactivada (página 12)

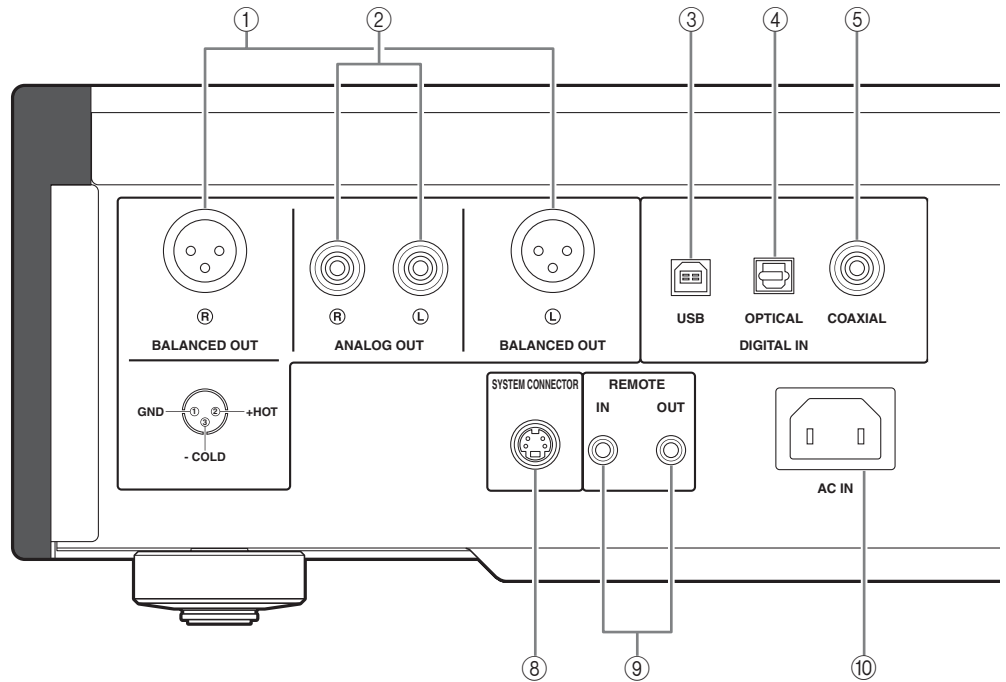
REP S: repetición de la reproducción de una pista (página 12)

REP ALL: repetición de la reproducción de todas las pistas (página 12)

21 Visor de información

Consulte la página 28 para obtener más información sobre la reproducción de MP3/WMA.

■ Panel trasero



Consulte la página 18 para obtener información sobre las conexiones.

- ① **Jacks BALANCED OUT (macho)**
- ② **Jacks ANALOG OUT**
- ③ **Jack DIGITAL IN USB (tipo B)**
- ④ **Jack DIGITAL IN OPTICAL**
- ⑤ **Jack DIGITAL IN COAXIAL**
- ⑥ **Jack DIGITAL OUT OPTICAL**
- ⑦ **Jack DIGITAL OUT COAXIAL**

Nota

Cuando reproduzca la capa de un Super Audio CD, las señales de audio solo se emiten a través de los jacks BALANCED OUT y ANALOG OUT.

⑧ **SYSTEM CONNECTOR**

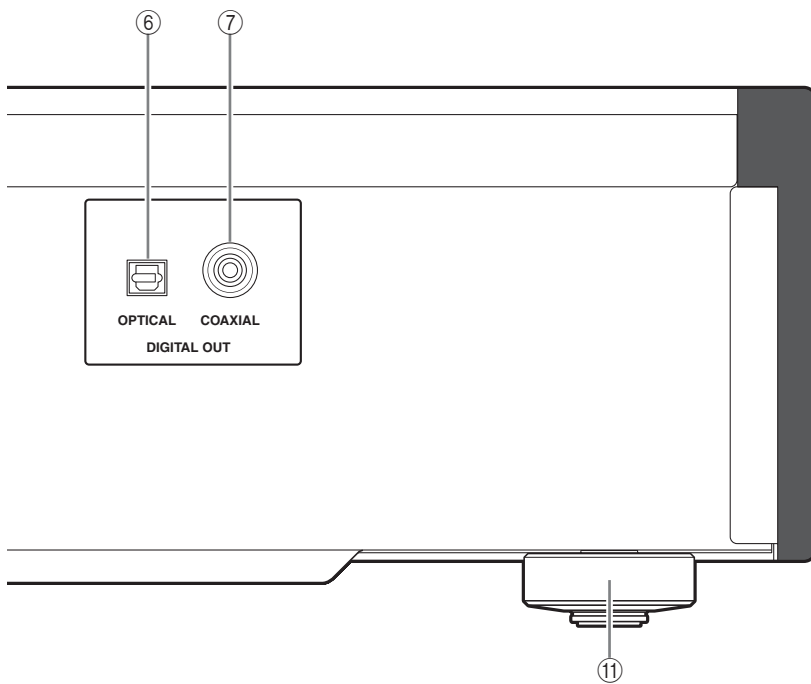
Utilice este conector para conectar un dispositivo para probar el producto al realizar operaciones de mantenimiento.

⑨ **Jacks REMOTE IN/OUT**

Utilice estos jacks para conectar un componente externo utilizado como mando a distancia. Para obtener más información sobre la conexión, consulte la página 21.

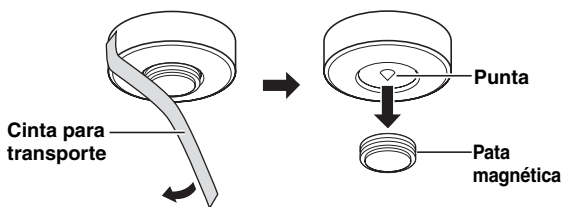
⑩ **Entrada AC IN**

Use esta entrada para conectar el cable de alimentación suministrado. Consulte la página 20 para obtener información sobre las conexiones.



11 Pata

Las patas de esta unidad incluyen puntas. Usar las puntas puede reducir el efecto de las vibraciones en el aparato. Cuando use las puntas, quite la cinta utilizada para el transporte y, después, retire las patas magnéticas tirando de ellas.



Precaución

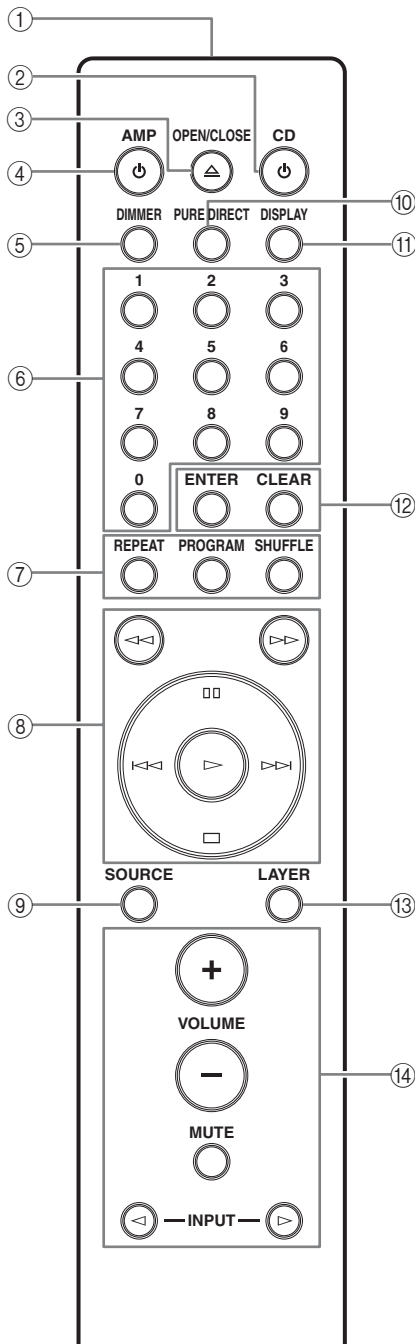
Cuando use las puntas incorporadas en las patas, las puntas podrán rayar la estantería o el suelo donde se instale esta unidad. Use las patas magnéticas o soportes adecuados cuando coloque esta unidad sobre un mueble caro, etc.



Si esta unidad no está estable podrá ajustar la altura de las patas girándolas.

Controles y funciones

■ Mando a distancia



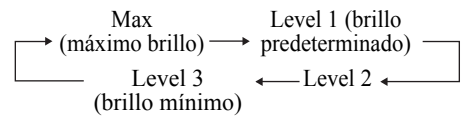
- ① **Transmisor de señal infrarroja**
Envía señales infrarrojas a esta unidad.
- ② **Tecla CD**
Enciende esta unidad o activa el modo STANDBY. Para obtener más información sobre el modo STANDBY, consulte “Panel delantero” (página 6).

- ③ **Tecla OPEN/CLOSE**
Abre o cierra la bandeja del disco.
- ④ **Tecla AMP**
Enciende el amplificador Yamaha o activa el modo STANDBY.

Nota

Algunos amplificadores Yamaha no pueden controlarse con la tecla AMP de este mando a distancia.

- ⑤ **Tecla DIMMER**
Selecciona el nivel de brillo del visor del panel delantero. Cada vez que pulse la tecla DIMMER, el nivel de brillo cambiará de la forma siguiente:



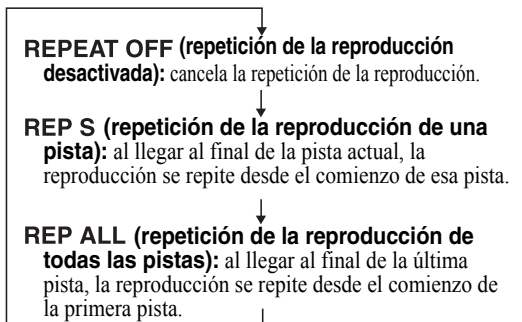
Este ajuste se mantiene aunque usted apague esta unidad.

- ⑥ **Botones numéricos**
Se usan para seleccionar directamente una pista.

Nota

Esta operación no sirve para los discos MP3 ni WMA.

- ⑦ **Tecla REPEAT**
Repite la reproducción de una pista o todas ellas. Cada vez que pulsa la tecla REPEAT durante la reproducción, el modo de repetición cambia de la forma siguiente:



Nota

Esta operación no sirve para los discos MP3 o WMA.

- Tecla PROGRAM**
Activa o desactiva el modo de reproducción programada. Consulte “Reproducción programada” (página 14).

Tecla SHUFFLE

Reproduce las pistas del disco en un orden aleatorio (reproducción aleatoria).

Notas

- Esta operación no sirve para los discos MP3 ni WMA.
- El modo de reproducción aleatoria se cancela cuando se detiene la reproducción o se expulsa el disco.

⑧ Tecla ◀◀ (Búsqueda hacia atrás)

Tecla ▶▶ (Búsqueda hacia delante)

Busca pistas hacia atrás/adelante.

Tecla □□ (Pausa)

Hace una pausa en la reproducción. Pulse la tecla ▶ o □□ para reanudar la reproducción.

Tecla ▶ (Reproducción)

Inicia la reproducción.

Tecla ◀◀ (Salto hacia atrás)

Pulse la tecla una vez para saltar al principio de la pista actual.

Pulse la tecla dos veces para saltar al principio de la pista anterior.

Tecla ▶▶ (Salto hacia delante)

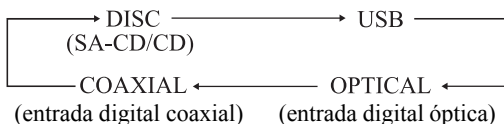
Pulse la tecla una vez para saltar a la siguiente pista.

Tecla □ (Parada)

Detiene la reproducción.

⑨ Tecla SOURCE

Permite seleccionar la fuente de audio reproducida. La fuente de audio cambia cada vez que pulsa esta tecla.



El ajuste de la fuente de audio se mantiene aunque apague esta unidad.

⑩ Tecla PURE DIRECT

Activa el modo PURE DIRECT para mejorar la calidad de audio.

Cuando esta unidad está en el modo PURE DIRECT:

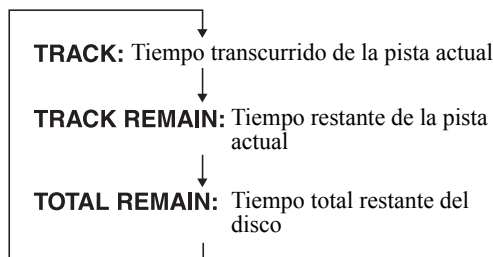
- Se ilumina el indicador PURE DIRECT.
- No se emite ninguna señal por los jacks DIGITAL OUT (OPTICAL y COAXIAL) del panel trasero (página 10).
- Los últimos indicadores y mensajes aparecen en el visor del panel delantero.



- Pulse de nuevo esta tecla para desactivar el modo PURE DIRECT.
- Este ajuste se mantiene aunque usted apague esta unidad.

⑪ Tecla DISPLAY

Cambia a la visualización del tiempo. Cada vez que pulsa la tecla DISPLAY durante la reproducción, la visualización del tiempo cambia de la forma siguiente:



⑫ Tecla ENTER

Confirma un número de pista introducido cuando programa pistas.

Tecla CLEAR

Borra la última pista programada cuando esta unidad está en el modo de edición de programa. Consulte “Reproducción programada” (página 14).



Para borrar todas las pistas programadas, pulse la tecla CLEAR mientras la reproducción está parada.

⑬ Tecla LAYER

Permite seleccionar la capa de reproducción de un Super Audio CD híbrido entre las opciones SA-CD y CD mientras la reproducción está detenida (página 27).



Este ajuste se mantiene aunque usted apague esta unidad.

Nota

Si selecciona la capa SA-CD, las señales de audio se emiten solo por los jacks BALANCED OUT y ANALOG OUT.

⑭ Teclas de control del amplificador Yamaha

Permiten controlar el amplificador Yamaha.

Consulte el manual del usuario de su amplificador para obtener más información.

Nota

Algunos amplificadores Yamaha no pueden controlarse con las teclas de este mando a distancia.

Consulte la página 28 para obtener más información sobre la reproducción de MP3/WMA.

Controles y funciones

■ Reproducción programada

En el modo de reproducción programada puede reproducir pistas en un orden programado.

Notas

- Esta operación no sirve para los discos MP3 ni WMA.
- Las pistas programadas se borran en los siguientes casos:
 - al expulsar el disco
 - al apagar esta unidad o situarla en el modo STANDBY
 - al seleccionar una fuente de audio diferente del disco
 - al cambiar la capa de reproducción de un Super Audio CD híbrido entre SA-CD y CD

1 Pulse PROGRAM mientras la reproducción esté parada.

Esta unidad se pone en el modo de edición programada.

2 Seleccione una pista con los botones numéricos y pulse ENTER.

3 Repita el paso 2 para programar la siguiente pista.

Puede programar hasta 24 pistas.

4 Pulse la tecla ▷ (Reproducción).

La reproducción empieza desde el comienzo del orden programado.

■ Configuración del ancho de banda DPLL (Digital Phased Lock Loop)

El DAC de audio (ES9018) de esta unidad utiliza DPLL para generar señales de reloj precisas sincronizadas con el reloj de la señal de audio digital de entrada. La configuración de ancho de banda DPLL en 7 pasos permite definir la tolerancia de la unidad en relación con la fluctuación del reloj de la señal digital de entrada y el ajuste de la precisión del reloj del sistema en el DAC.

1 Pulse SOURCE para seleccionar la fuente de audio reproducida.

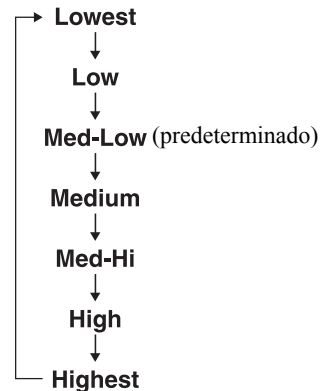
Es posible configurar el ancho de banda DPLL para cada fuente de audio por separado.

2 Unos 5 segundos después de seleccionar la fuente de audio, pulse ENTER.

La unidad pasa al modo de configuración y el ancho de banda DPLL configurado actualmente aparece en el visor de información.

3 Seleccione el ancho de banda DPLL utilizando el botón □□ (pausa) y el botón □ (parada).

Cada vez que pulse el botón □□ (pausa), el ancho de banda cambiará en el orden siguiente. Si pulsa el botón □ (parada), cambiará en el orden inverso.



4 Pulse ENTER.

El valor de configuración parpadea durante 3 segundos y la unidad recupera el modo normal. Para cancelar la configuración, pulse CLEAR.

Notas

- A medida que el valor de configuración del ancho de banda DPLL se aproxima al nivel "Lowest", la precisión del reloj del sistema del DAC mejora, aunque la unidad puede verse afectada por un cambio en el reloj del componente externo. El sonido de un componente de estas características puede sufrir saltos más fácilmente.
- A medida que el valor de configuración del ancho de banda DPLL se aproxima al nivel "Highest", la precisión del reloj del sistema del DAC empeora, aunque la unidad se verá menos afectada por un cambio en el reloj del componente externo y el sonido de un componente de estas características difícilmente experimentará saltos.

■ Configuración de la función AUTO POWER STANDBY

La función AUTO POWER STANDBY se puede configurar en ON u OFF. Cuando se configura en ON, si no se utiliza esta unidad durante 30 minutos y no se detecta señal de audio, pasa automáticamente al modo STANDBY. Cuando se configura en OFF, la unidad no pasa al modo STANDBY automáticamente.

1 Abra la bandeja del disco y extraiga el disco cargado actualmente de la unidad.

Salte del paso 1 al 3 si aparece "NO DISC" en la pantalla de información.

2 Cierre la bandeja del disco.

3 Pulse SOURCE para seleccionar "DISC" como fuente de audio.

"NO DISC" aparece en la pantalla de información.

4 Mantenga pulsado la tecla □ (Parada) o ▷ (Reproducción) del panel frontal durante aproximadamente 2 segundos para cambiar el ajuste.

Tecla □ (Parada): La función AUTO POWER STANDBY cambia a ON, y "AutoSTBY ON" aparece en la pantalla de información.

Tecla ▷ (Reproducción): La función AUTO POWER STANDBY cambia a OFF, y "AutoSTBY OFF" aparece en la pantalla de información.

Notas

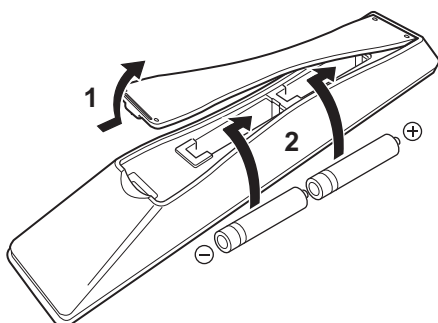
- El ajuste predeterminado para la función AUTO POWER STANDBY es ON.
- Este ajuste se mantiene aunque usted apague esta unidad.

Controles y funciones

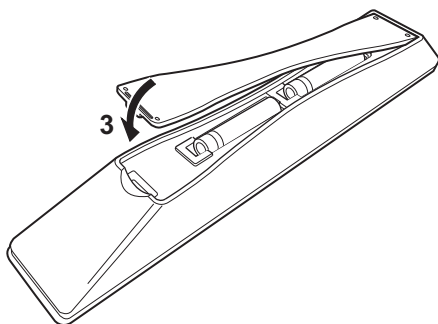
■ Instalación de las pilas en el mando a distancia

1 Retire la tapa del compartimento de las pilas.

2 Introduzca las dos pilas (AAA, R03, UM-4) teniendo en cuenta las marcas de polaridad (+ y -) del interior del compartimento de las pilas.



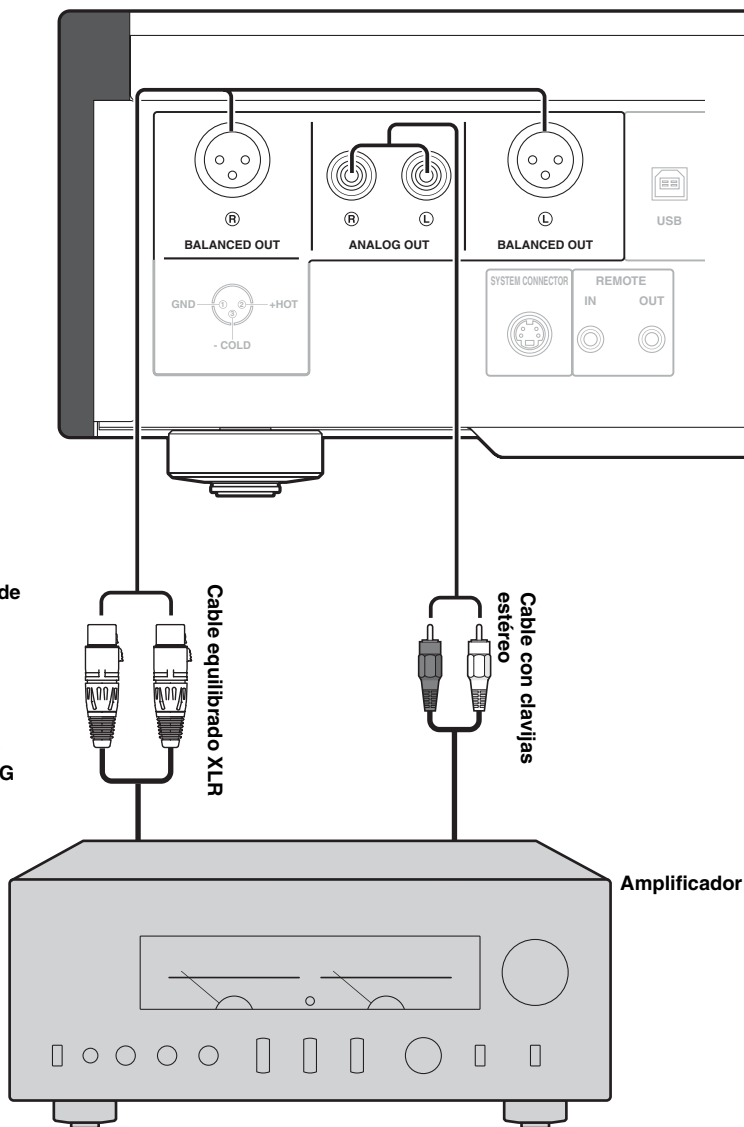
3 Vuelva a colocar la tapa del compartimento de las pilas.



CD-S3000 **Conexiones**

En esta sección hará las conexiones entre el CD-S3000 y su amplificador.





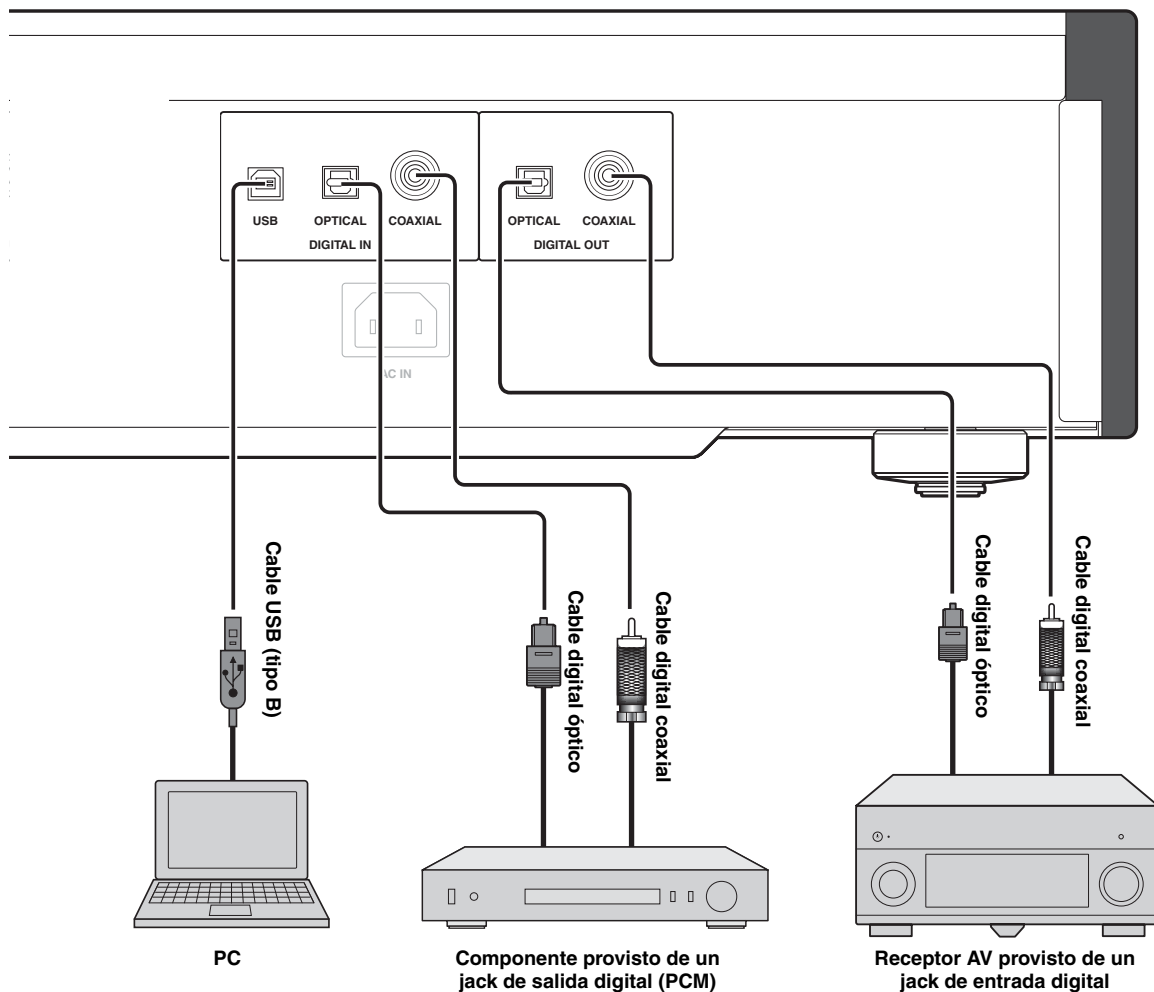
Si su amplificador cuenta con jacks de entrada equilibrada XLR, le recomendamos una conexión equilibrada para disfrutar del mejor audio.

Al reproducir la capa SA-CD, las señales de audio se emiten solo por los jacks BALANCED OUT y ANALOG OUT.

Cable equilibrado XLR

Cable con clavijas estéreo

Amplificador



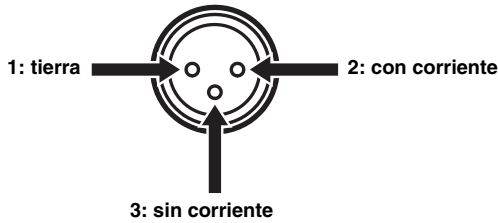
Nota

Solo las señales PCM pueden enviarse a los jacks DIGITAL IN (OPTICAL/COAXIAL) de esta unidad. Para obtener más información sobre las señales PCM compatibles, consulte la página 26.

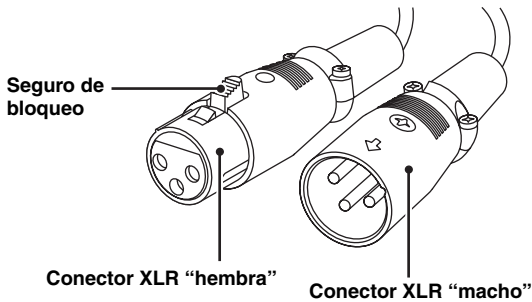
Conexiones

■ Conexión a los jacks BALANCED OUT

Conecte su amplificador con los jacks de entrada equilibrada XLR. Las asignaciones de contactos para estos jacks se muestran a continuación. Consulte el manual de instrucciones suministrado con su amplificador y verifique que sus jacks de entrada equilibrada XLR sean compatibles con las asignaciones de las clavijas.

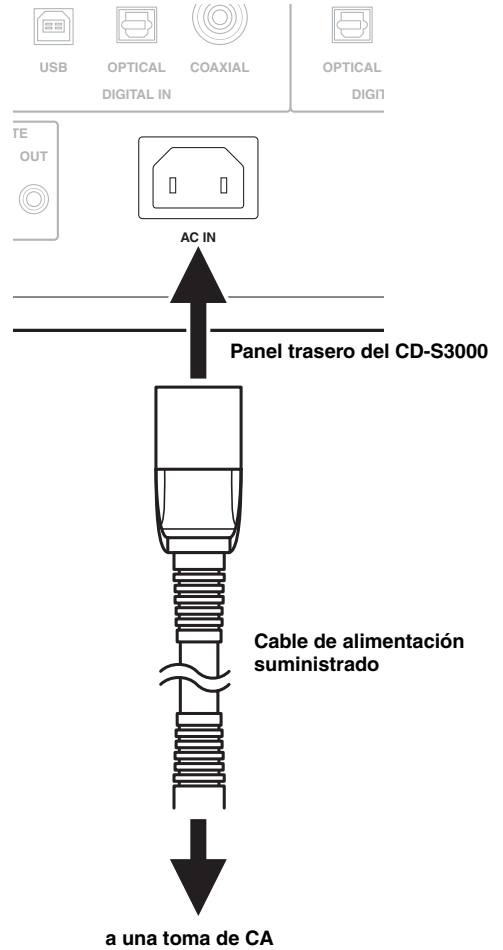


Cuando realice la conexión, asegúrese de casar los contactos e inserte el conector del cable equilibrado XLR “hembra”. Cuando lo desconecte, tire del cable equilibrado XLR “hembra” manteniendo presionado el seguro de bloqueo del conector.



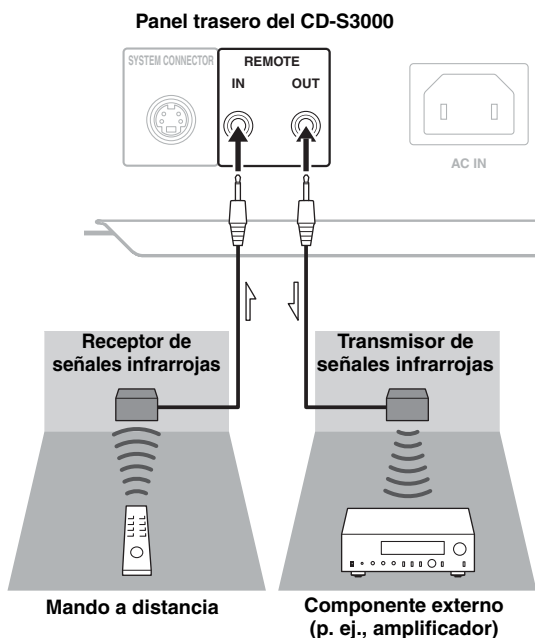
■ Conexión del cable de alimentación

Enchufe el cable de alimentación en la toma AC IN cuando termine todas las conexiones y, luego, enchufe el cable de alimentación en la toma de CA.



■ Control de esta unidad desde otra habitación

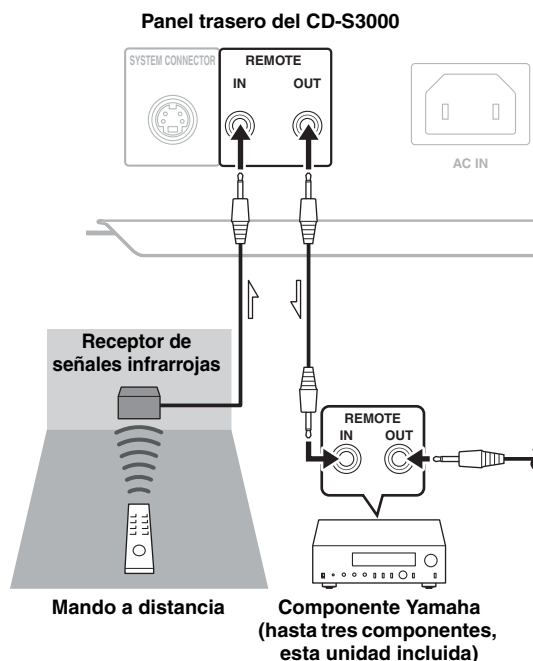
Si conecta un receptor y un transmisor de señales infrarrojas a los jacks REMOTE IN/OUT de esta unidad, podrá controlar la unidad y/o un componente externo con el mando a distancia suministrado desde otra habitación.



■ Conexión remota entre componentes Yamaha

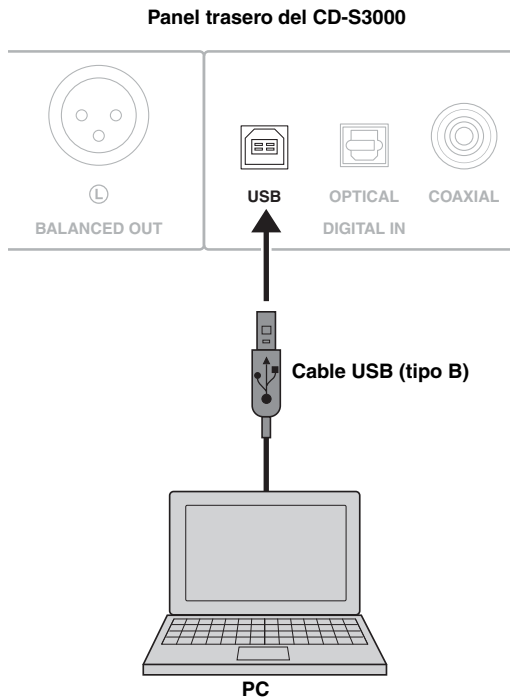
Si tiene otro componente Yamaha compatible con la conexión remota, como esta unidad, no es necesario el transmisor de señales infrarrojas. Las señales remotas pueden transmitirse conectando un receptor de señales infrarrojas y el jack REMOTE IN del otro componente a los jacks REMOTE IN/OUT de esta unidad mediante cables con minitomas monoaurales.

Pueden conectarse un máximo de tres componentes Yamaha (incluida esta unidad).



Reproducción de archivos de música guardados en un PC

Al conectar un PC al jack USB de esta unidad, la unidad funciona como un DAC USB, lo que permite reproducir los archivos de música guardados en el PC a través de un amplificador conectado a esta unidad.



■ Sistemas operativos compatibles

La conexión USB de esta unidad está pensada para los PC que funcionan con los siguientes sistemas operativos:

Windows: Windows Vista (SP2, 32 bits/64 bits)/
Windows 7 (32 bits/64 bits)/
Windows 8 (32 bits/64 bits)

Mac: OS X 10.5.8/10.6.8/10.7.x/10.8.x

Notas

- No se puede garantizar su funcionamiento con otros sistemas operativos.
- Es posible que no puedan llevarse a cabo las operaciones deseadas aunque utilice los sistemas operativos indicados arriba, en función de la configuración o el entorno del PC.
- Es posible que las operaciones no se ejecuten correctamente si conecta el PC a esta unidad antes de instalar el driver.

■ Instalación del driver propio

Antes de conectar un PC a esta unidad, instale el driver propio en el PC.

- 1 Visite la URL indicada a continuación, descargue el “Yamaha Steinberg USB Driver” y, después, extraiga y ejecute el archivo.

Sitio web para descargar el driver exclusivo
URL: <http://download.yamaha.com/>

- 2 Instale el “Yamaha Steinberg USB Driver” descargado en el PC.
Para obtener más información, consulte la Guía de instalación suministrada con el driver descargado.
- 3 Cuando haya terminado la instalación, salga de todas las aplicaciones que tenga abiertas.
- 4 Seleccione “Yamaha CD Player” como destino de salida de audio del ordenador.

Con un sistema operativo Windows:

Panel de control → Sonido → Pestaña [Reproducción]

Con un sistema operativo Mac:

Preferencias del Sistema → Sonido → pestaña [Salida]

La configuración puede variar en función del sistema operativo. Para obtener más información al respecto, póngase en contacto con el fabricante del PC.



Las frecuencias de muestreo que pueden transmitirse son:
44,1 kHz/48 kHz/88,2 kHz/96 kHz/176,4 kHz/192 kHz

Notas

- Es posible que las operaciones no se ejecuten correctamente si conecta el PC a esta unidad antes de instalar el driver.
- Si instala el driver en un ordenador con Windows XP, es posible que la velocidad de funcionamiento del ordenador disminuya. Si le sucede, reinicie el ordenador.
- El “Yamaha Steinberg USB Driver” está sujeto a cambios sin previo aviso. Para obtener más información y conocer las últimas novedades, consulte la página de descarga del driver.

■ Reproducción de archivos de música guardados en el PC

1 Conecte el PC a esta unidad con un cable USB.

2 Encienda el PC.

3 Encienda esta unidad pulsando el interruptor STANDBY/ON/OFF del panel delantero.

4 Seleccione “USB” con la tecla SOURCE de esta unidad.

5 Seleccione “Yamaha CD Player” como destino de salida de audio del PC.

Con un sistema operativo Windows:

Panel de control → Sonido → Pestaña [Reproducción]

Con un sistema operativo Mac:

Preferencias del Sistema → Sonido → pestaña [Salida]

La configuración puede variar en función del sistema operativo. Para obtener más información al respecto, póngase en contacto con el fabricante del PC.

6 Inicie la reproducción de los archivos de música del PC.

Cuando la unidad recibe las señales de música de un PC, la frecuencia de muestreo del archivo reproducido se indica en el visor de la unidad.

■ Ajuste del volumen del sonido

Para disfrutar de la máxima calidad de audio, ponga el volumen de sonido del PC al máximo y suba gradualmente el volumen del amplificador desde el mínimo hasta el nivel deseado.

Notas

- No desconecte el cable USB, apague la unidad ni cambie la entrada con la tecla SOURCE mientras esté reproduciendo contenidos desde un PC conectado a través de un cable USB. De lo contrario, pueden producirse problemas de funcionamiento.
- Para silenciar los sonidos generados por las operaciones realizadas en el PC durante la reproducción de música, cambie la configuración desde el PC.
- Si los archivos de música no se reproducen correctamente, reinicie el ordenador y repita los pasos indicados antes.
- Los archivos de música guardados en un PC no pueden controlarse desde esta unidad ni con el mando a distancia de esta unidad. Debe controlarlos desde el PC.

CD-S3000

Especificaciones

En esta sección encontrará las especificaciones técnicas del CD-S3000.



Especificaciones

SECCIÓN DE AUDIO

- Respuesta de frecuencia (1 kHz, 0 dB)
 - SA-CD 2 Hz a 50 kHz (-3 dB)
 - CD 2 Hz a 20 kHz
- Intervalo de frecuencias de reproducción 2 Hz a 96 kHz
- Distorsión armónica (1 kHz, 0 dB)
 - SA-CD 0,002% o menos
 - CD 0,002% o menos
- Relación señal a ruido (red IHF-A) (1 kHz, 0 dB)
 - SA-CD/CD 116 dB o más
- Gama dinámica (1 kHz, 0 dB)
 - SA-CD 110 dB o más
 - CD 100 dB o más
- Nivel de salida (1 kHz, 0 dB)
 - SA-CD/CD 2,0 ± 0,3 V

PROPIEDADES DE DIODO LÁSER

- Longitud de onda
 - SA-CD 655 nm
 - CD 790 nm
- Potencia de salida
 - SA-CD 1,89 mW (máx.)
 - CD 1,36 mW (máx.)

SECCIÓN DE ENTRADA/SALIDA

- Entrada digital (DITIGAL IN)
 - USB (tipo B) × 1 Compatible con USB 2.0
 - OPTICAL × 1
 - COAXIAL × 1
 - Frecuencias de muestreo de audio admitidas 44,1/48/88,2/96/176,4/192 kHz
 - Profundidad de palabras 16 bits/24 bits
- Salida digital (DITIGAL OUT)
 - OPTICAL × 1
 - COAXIAL × 1
 - Frecuencias de muestreo de audio admitidas 44,1/48/88,2/96/176,4/192 kHz
 - Profundidad de palabras 16 bits/24 bits
- Salida de audio
 - ANALOG OUT No equilibrada × 2 canales (I/D)
 - BALANCED OUT equilibrada × 2 canales (I/D)
- Entrada/salida remota
 - REMOTE IN
 - REMOTE OUT
- Conector del sistema
 - SYSTEM CONNECTOR

GENERALIDADES

- Alimentación
 - [Modelos de China, Corea, Asia, Australia, Reino Unido y Europa] CA 220 - 240 V, 50/60 Hz
 - [Modelos de EE.UU., Canadá y Taiwán] CA 110 - 120 V, 50/60 Hz
- Consumo de energía 30 W
- Consumo de energía en reposo (datos de referencia) 0,3 W
- Dimensiones (An. × Al. × Prof.) 435 × 142 × 440 mm
- Peso 19,2 kg

* Las especificaciones están sujetas a cambios sin previo aviso.

Cuidados de esta unidad

Acabado pulido de los paneles laterales

Se recomienda utilizar un paño Unicon de Yamaha (de venta por separado). En el caso de suciedad persistente, utilice el paño Unicon para Piano de Yamaha (de venta por separado). Para adquirir estos productos, póngase en contacto con el centro de servicio o distribuidor Yamaha autorizado más cercano.

Otros acabados

Cuando limpie esta unidad no use disolventes químicos (alcohol, diluyente de pintura, etc.), ya que pueden dañar el acabado. Use un paño limpio y seco. Para la suciedad difícil de limpiar, moje un paño blando en detergente diluido en agua, escúrralo y luego páselo por la unidad para limpiarla.

■ Tipos de discos compatibles

Esta unidad ha sido diseñada para reproducir discos compactos que tienen las marcas mostradas abajo. No intente nunca introducir ningún otro tipo de disco en esta unidad. Esta unidad también puede reproducir discos compactos de 8 cm.

Super Audio CD

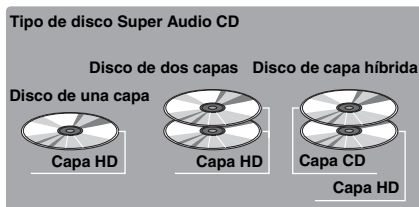


SUPER AUDIO CD

Este formato de audio se basa en las normas de CD actuales, pero incluye más información y proporciona un sonido de calidad más alta. Hay tres tipos de discos: discos de capa única, de capa doble e híbridos. El disco híbrido se puede reproducir en los reproductores CD existentes, así como también en reproductores Super Audio CD, ya que contiene información de CD de audio estándar y Super Audio CD.

Nota

Esta unidad no muestra datos de texto en el visor del panel delantero.



Discos compactos (audio digital)



Los discos más populares de venta en comercios de discos CD.

Discos de audio digital CD-R y CD-RW



CD de música creados copiando en discos CD-R o CD-RW (con archivos en formato MP3 o WMA).

Notas

- Asegúrese de usar un disco CD-R o CD-RW de un fabricante fiable.
- Asegúrese de usar un disco CD-R o CD-RW que tenga al menos una de las frases siguientes en el disco o en su caja.
 - FOR CONSUMER
 - FOR CONSUMER USE
 - FOR MUSIC USE ONLY
- Asegúrese de usar un disco CD-R o CD-RW finalizado.

Discos CD-TEXT



Los discos grabados con datos de texto tales como títulos de álbumes, títulos de pistas y nombres de artistas. Estos discos se pueden reproducir con reproductores de CD convencionales.

Nota

Esta unidad no muestra datos de texto en el visor del panel delantero.

NOTA:

Es posible que esta unidad no pueda reproducir algunos discos CD-RW o discos que estén grabados correctamente.

Para evitar fallos en esta unidad:

- No use discos de formas extrañas (forma de corazón, etc.) de venta en el mercado porque podrían dañar esta unidad.
- No utilice un disco con cinta, pegatinas o pegamento pegados en él. Tal disco podrá quedar atascado en esta unidad o podrá dañarla.



Formato de disco reproducible

■ Acerca de los discos MP3 y WMA

Puede reproducir archivos MP3 y WMA grabados en un CD-R o CD-RW de forma similar a como reproduce un CD de música.

MP3

MP3 (MPEG-1 Audio Layer-3) es un formato y una tecnología estándar para comprimir secuencias de audio en archivos de pequeño tamaño. Sin embargo, el nivel original de calidad de sonido se mantiene durante la reproducción.

Notas

- Esta unidad reproduce los archivos MP3 en orden alfanumérico.
- Se reconocen hasta 648 carpetas y archivos (combinados) y hasta 299 carpetas; sin embargo, algunas carpetas y archivos pueden no ser reconocidos según la estructura de sus directorios.
- Dependiendo de las condiciones de grabación, tales como el ajuste del software de grabación, esta unidad tal vez no pueda reproducir el disco o archivos en el orden en que fueron grabados.
- Esta unidad es compatible con una frecuencia de muestreo de 44,1 kHz.
- Esta unidad es compatible con velocidades de bits de 32, 40, 48, 56, 64, 80, 96, 112, 128, 160, 192, 224, 256, o 320 kbps. No es compatible con velocidades de bits variables.
- El disco debe ser compatible con ISO9660.
- Los datos de texto de los archivos no se visualizan en esta unidad.

WMA

WMA (Windows Media Audio) es un formato de archivo de Microsoft para codificar archivos de audio digital similar a MP3, aunque WMA puede comprimir archivos a una velocidad superior a MP3.

Notas

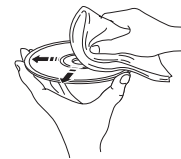
- Esta unidad reproduce los archivos WMA en orden alfanumérico.
- Se reconocen hasta 648 carpetas y archivos (combinados) y hasta 299 carpetas; sin embargo, algunas carpetas y archivos pueden no ser reconocidos según la estructura de sus directorios.
- Esta unidad es compatible con una frecuencia de muestreo de 44,1 kHz.
- Esta unidad es compatible con velocidades de bits de 48, 64, 80, 96, 128, 160, o 192 kbps. No es compatible con velocidades de bits variables.
- El disco debe ser compatible con ISO9660.
- Los archivos WMA con protección de derechos de autor no se pueden reproducir con esta unidad.
- Los datos de texto de los archivos no se visualizan en esta unidad.

■ Manipulación de los discos compactos

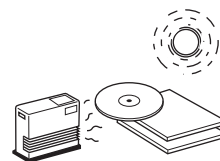
- Manipule siempre los discos con cuidado para no rayar su superficie.



- Los discos compactos raramente se desgastan durante la reproducción, pero los daños en las superficies causados al manejar los discos pueden afectar a la reproducción de los mismos.
- Asegúrese de usar un marcador de fieltro o algo similar cuando escriba en el lado de la etiqueta de un disco. No use bolígrafos, lapiceros u otros utensilios de escritura duros porque podrá dañar el disco y afectar a su reproducción.
- No deforme los discos.
- Cuando no esté usando un disco, retírelo de la unidad y guárdelo en una caja apropiada.
- Cuando retire o guarde un disco, tenga cuidado para no rayar la superficie de reproducción.
- A los discos compactos no les afectan las partículas pequeñas de polvo ni las huellas dactilares en su superficie de reproducción, pero de todos modos deberán mantenerse limpios. Limpie la superficie del disco con un paño limpio y seco. No limpie la superficie del disco con un movimiento circular; mueva el paño en línea recta del exterior hacia el centro.



- No intente limpiar la superficie del disco con ningún tipo de limpiador de discos, aerosoles de discos de vinilo, aerosoles o líquidos antiestáticos o cualquier otro líquido con base química porque la superficie del disco podría dañarse irreparablemente.
- No exponga los discos a la luz solar directa, a altas temperaturas ni a niveles de humedad elevados durante mucho tiempo porque estas condiciones podrían deformar o dañar el disco.



- Para reproducir un disco compacto de 8 cm, póngalo en el hueco interior de la bandeja del disco. No ponga un CD normal de 12 cm encima de un CD de 8 cm.

Consulte la tabla de abajo si esta unidad no funciona correctamente. Si el problema que tiene no está en esta lista o las instrucciones no sirven de ayuda, apague esta unidad, desconecte el cable de alimentación y póngase en contacto con el centro de servicio o distribuidor Yamaha autorizado más cercano.

Problema	Causa	Remedio	Vea la página
La unidad no se enciende al pulsar STANDBY/ON/OFF hacia arriba.	No se ha enchufado el cable de alimentación o está mal conectado.	Enchufe bien el cable de alimentación.	20
Esta unidad pasa automáticamente al modo STANDBY.	La función de espera automática se activa.	Si no se utiliza esta unidad durante 30 minutos y no se detecta señal de audio, pasa automáticamente al modo STANDBY.	6
No se cierra completamente la bandeja.	Hay materias extrañas atrapadas en la bandeja.	Inspeccione la bandeja del disco y limpie las materias extrañas.	—
No comienza a reproducir.	El disco está dañado.	Inspeccione cuidadosamente el disco; coloque otro si está dañado.	—
	Hay humedad condensada en el lector de rayos láser.	Espere 20 a 30 minutos después de conectar el aparato antes de reproducir el disco.	—
	Se ha colocado el disco al revés.	Vuelva a colocar el disco con la etiqueta hacia arriba.	—
	El disco está sucio.	Limpie el disco.	28
	Los formatos MP3 o WMA no son compatibles con esta unidad.	Cambie el disco por otro disco grabado correctamente y que pueda reproducirse en este aparato.	28
	El disco CD-RW (regrabable) no está bien grabado.	Cambie el disco por otro disco grabado correctamente y que pueda reproducirse en este aparato.	27
	El disco es un disco no normal, que no puede reproducirse en este aparato.	Cambie el disco por otro disco grabado correctamente y que pueda reproducirse en este aparato.	27
Hay un retraso en la reproducción o comienza en otro lugar.	El disco puede estar rayado o dañado.	Inspeccione cuidadosamente el disco; coloque otro si está dañado.	28
No se escucha ningún sonido.	Las conexiones de los cables de salida están mal.	Conecte correctamente los cables. Si sigue habiendo problemas, los cables están en mal estado.	18
	El amplificador funciona mal.	Coloque los controles del amplificador en la posición de entrada correcta.	—
No se reproduce el sonido del componente conectado a los jacks de entrada digital.	La unidad se encuentra en el modo PURE DIRECT.	Apague el modo PURE DIRECT.	7
	Se está reproduciendo la capa Super Audio CD.	Cambie la capa reproducida.	7
El sonido salta.	Esta unidad recibe vibraciones o impactos.	Coloque este aparato en otro lugar.	—
	El disco está sucio.	Limpie el disco.	28
	El reloj de la señal de audio reproducida fluctúa.	Cambie el ancho de banda DPLL del DAC de audio (ES9018).	14

Problema	Causa	Remedio	Vea la página
Se oye un zumbido.	Las conexiones de los cables están mal.	Conecte firmemente los cables de audio. Si sigue habiendo problemas, los cables están en mal estado.	18
Ruidos de un sintonizador en las cercanías.	El sintonizador está demasiado cerca de este aparato.	Separe el sintonizador y este aparato.	—
Ruidos desde la bandeja.	El disco puede estar doblado.	Cambie el disco.	28
No se reproduce el sonido del componente conectado al jack DIGITAL IN (OPTICAL o COAXIAL).	No ha seleccionado "PCM" como fuente de audio de salida en el componente conectado.	Solo las fuentes de audio PCM pueden reproducirse a través de los jacks DIGITAL IN (OPTICAL/COAXIAL) de esta unidad. Seleccione "PCM" como fuente de audio de salida del componente conectado.	—
El mando a distancia no transmite bien las señales.	Las pilas del mando a distancia están con poca carga.	Cambie las pilas por otras nuevas.	16
	El mando a distancia está demasiado alejado o se inclina demasiado.	Úselo a una distancia máxima de 6 m y dentro de un radio de 60°.	9
	El detector del mando a distancia de este aparato recibe los rayos del sol o una luz intensa (de una lámpara fluorescente concentrada, etc.).	Cambie la posición de esta unidad.	9

■ Conexión USB

Problema	Causa	Remedio	Vea la página
El PC conectado no reconoce esta unidad.	El sistema operativo del PC no es compatible con esta unidad.	Utilice un PC con un sistema operativo compatible.	22
	La conexión del cable USB está mal.	Conecte correctamente el cable USB.	19, 22
	La salida del PC o la aplicación está silenciada.	Active el sonido del PC o la aplicación.	—
Se oyen sonidos durante la reproducción.	Ha abierto otra aplicación en el PC mientras se está reproduciendo un archivo de música.	Si abre otra aplicación mientras se está reproduciendo un archivo de música, es posible que el sonido se pierda temporalmente o que oiga un ruido. No abra otras aplicaciones durante la reproducción.	—
No pueden reproducirse archivos de música.	Los archivos de música no se reproducen correctamente porque ha conectado esta unidad al PC o ha seleccionado la entrada "USB" de esta unidad con la aplicación de música abierta en el PC.	Conecte esta unidad al PC o seleccione la entrada "USB" de esta unidad antes de abrir la aplicación. Después, abra la aplicación de música e inicie la reproducción.	23
	El "Yamaha Steinberg USB Driver" propio no se ha instalado correctamente.	Vuelva a instalar el "Yamaha Steinberg USB Driver" siguiendo el procedimiento correcto.	22

■ Mensajes de la pantalla de información

Mensaje	Estado
NO DISC	No hay ningún disco insertado en la bandeja.
Check Cable	El “Yamaha Steinberg USB Driver” no se ha instalado correctamente. También es posible que la salida de audio del ordenador no esté configurada en “Yamaha CD Player”.
Check PC	No se reconoce la señal de audio del ordenador.
Fs: ----kHz	No se reconoce ninguna señal de audio.

Een levende traditie in geluid

Een piano komt tot leven in deze wereld dankzij de perfecte synergie tussen geavanceerde technische vaardigheden en vakmanschap. Een dergelijke piano kan geluid produceren die de gevoelens van de pianist werkelijk weerspiegelen.

De eindfase in pianoproductie heet "intonatie". Het is op dat moment dat de ziel in het instrument wordt ingeblazen.

Een hoogwaardige expert concentreert zijn of haar aandacht en gevoeligheid op het geluid van elke toets, en stelt het dynamisch gevoel van de hamers nauwkeurig in om de toon en de levendigheid van alle 88 toetsen op perfecte wijze samen te brengen; een echte verbijsterende prestatie.

Enkel een scherpzinnig en gevoelig oor kan de kwaliteit van dit geluid omschrijven. Wij passen ditzelfde concept toe op de fabricatie van onze audioproducten. De technicus voert uitvoerige luistertests uit en beschouwt elk onderdeel om uiteindelijk het ideale geluid te bereiken.

Yamaha's traditie van geluidskwaliteit omvat meer dan 125 jaar geschiedenis, en blijft verder leven in alle Yamaha-producten vandaag.



Uitblinkers in audio

1920-
1960s

Eerste HiFi-systeem geïntroduceerd in 1920

In de periode 1955-1965 brachten wij een groot aantal HiFi-componenten op de markt (draaitafels, FM/AM-tuners, geïntegreerde versterkers, voorversterkers, eindversterkers en luidsprekers).



NS-20



CA-1000

Natural Sound Speaker-serie geïntroduceerd in 1967

NS-20 Monitor-luidspreker



NS-690



NS-1000M

1970s

CA-1000 Geïntegreerde versterker

Met een eerste klas bediening vormde de CA-1000 de standaard waaraan andere geïntegreerde versterkers werden afgemeten.

NS-690 Natural Sound-luidspreker

NS-1000M Monitor-luidspreker

Een waarlijk legendarische luidspreker die nog hoog staat aangeschreven bij HiFi-enthousiasten.



B-1



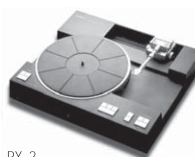
C-2

B-1 Eindversterker

Een innovatieve eindversterker die in alle trappen gebruik maakte van verticale FET's.

C-2 Regelversterker

Kreeg de hoogste prijs op de Internationale Muziek en HiFi tentoonstelling te Milaan.



PX-2



NS-10M

NS-10M Studio Monitor-luidspreker

Werd één van de populairste studiomonitors in de wereld.

A-1 Geïntegreerde versterker

PX-2 Draaitafel

Yamaha's eerste draaitafel met rechte arm.



B-6



B-2x

1980s

B-6 Eindversterker

Piramidevormige eindversterker.

GT-2000/L Draaitafel

Eerste CD-speler (CD-1) geïntroduceerd in 1983

B-2x Eindversterker

MX-10000 Eindversterker en

CX-10000 Regelversterker

Herdefinieerden de mogelijkheden van gescheiden componenten.



MX-10000



CX-10000

AX-1 Geïntegreerde versterker

1990s

GT-CD1 CD-speler

MX-1 Eindversterker en

CX-1 Voorversterker



Soavo-1



A-S2000

2000s

Soavo-1 en Soavo-2 Natural Sound-luidsprekersystemen

A-S2000 Stereooversterker en

CD-S2000 Super Audio CD-speler



CD-S2000

2010s

NP-S2000 Netwerkspeler



NP-S2000

CD-S3000

- ◆ *Gebalanceerde signaaloverdracht in alle trappen voor de ultieme CD-weergavekwaliteit, te beginnen bij de DAC*
- ◆ *Onafhankelijke stroomvoorzieningen, met volledige scheiding van de digitale en analoge stroomkringen*
- ◆ *CD-station met exclusief Yamaha laadmechanisme en hoge nauwkeurigheid*
- ◆ *Links-rechts symmetrisch ontwerp met rigide, stabiele constructie*
- ◆ *Pure Direct*
- ◆ *Superweergave van Super Audio CD's*
- ◆ *Zware voetjes met nieuw ontwikkelde anti-trilling spikes*
- ◆ *DSD-weergave via 192 kHz, 24 bits USB DAC*

■ **Meegeleverde accessoires**

Controleer of u alle volgende onderdelen inderdaad ontvangen hebt.

- Netsnoer
- Afstandsbediening
- Batterijen (AAA, R03, UM-4) (×2)
- Stereo-penstekkerkabel
- VEILIGHEIDSBROCHURE

Inhoudsopgave

Bedieningsorganen en functies.....	6
Aansluitingen	18
Weergave van muziekbestanden die op een PC zijn opgeslagen	22
Technische gegevens.....	26
Geschikte discsoorten.....	27
Oplossen van problemen.....	29

■ **Over deze handleiding**

- ✪ geeft een bedieningstip aan.
- De kleuren op de afbeeldingen in deze handleiding kunnen afwijken van de oorspronkelijke kleuren.
- Lees de "VEILIGHEIDSBROCHURE" voor u dit toestel gaat gebruiken.

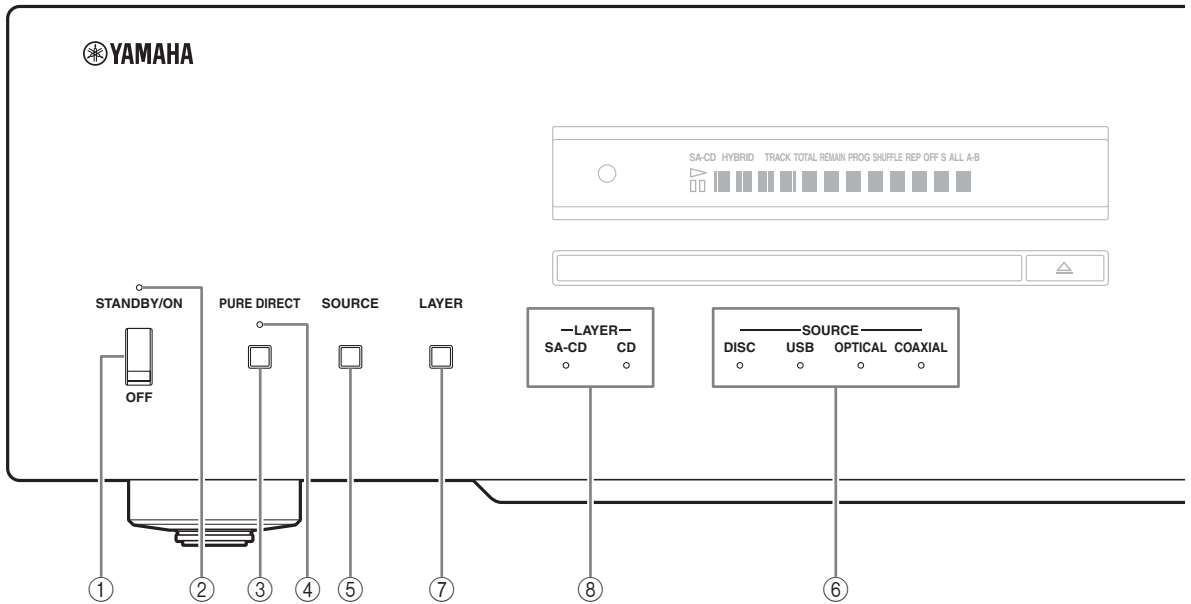
CD-S3000 **Bedieningsorganen en functies**

In dit hoofdstuk leert u de bedieningsorganen van uw CD-S3000 beter kennen.



Bedieningsorganen en functies

■ Voorpaneel (bladzijden 6 tot 9)



① **STANDBY/ON/OFF-schakelaar**

Hiermee zet u dit toestel aan of uit.

STANDBY/ON (bovenste stand):

In deze stand kunt u STANDBY of ON selecteren aan de hand van de CD-toets op de afstandsbediening.

OFF (onderste stand):

Dit toestel is uitgeschakeld.

Opmerkingen

- Wanneer u dit toestel aan zet, zal het een paar seconden duren voor het toestel geluid kan produceren.
- Als dit apparaat gedurende 30 minuten niet wordt bediend en geen audiosignaal detecteert, schakelt het naar de STANDBY-modus (bladzijde 15).
- Als u het netsnoer uit het stopcontact haalt en er opnieuw insteekt wanneer het apparaat in STANDBY-modus is, wordt het apparaat ingeschakeld (bladzijde 20). Als u het apparaat lange tijd niet gebruikt, plaats de STANDBY/ON/OFF-schakelaar op OFF.

② **STANDBY/ON-indicator**

Fel verlicht:

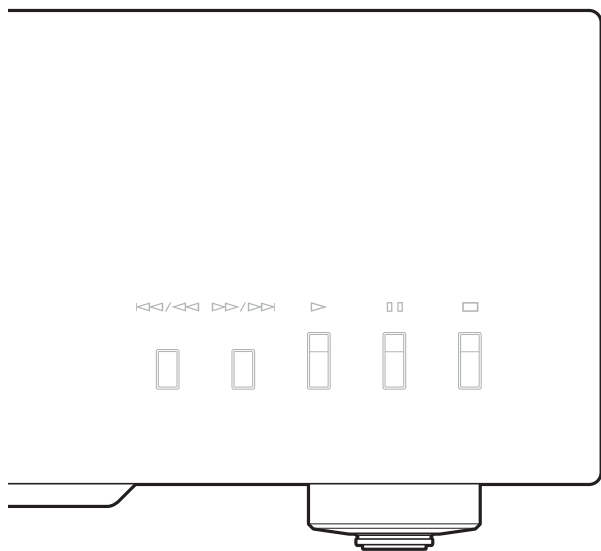
Geeft aan dat de voeding van het toestel AAN is. In deze toestand kunt u het toestel naar de STANDBY-functie overschakelen aan de hand van de CD-toets op de afstandsbediening.

Matig verlicht:

Geeft aan dat het toestel zich in de STANDBY-functie bevindt. In deze toestand drukt u op de CD-toets op de afstandsbediening om het toestel aan te zetten.

Uit:

Geeft aan dat de voeding van het toestel UIT is. In deze toestand kunt u het toestel enkel aanzetten aan de hand van de STANDBY/ON/OFF-schakelaar.



③ PURE DIRECT-toets

Hiermee schakelt u de PURE DIRECT-weergavefunctie in om de geluidskwaliteit te verbeteren.

Wanneer dit toestel in de PURE DIRECT-weergavefunctie staat:

- Er wordt geen signaal uitgevoerd vanaf de DIGITAL OUT-aansluitingen (OPTICAL en COAXIAL) op het achterpaneel (bladzijde 10).
- Zo min mogelijk indicators en meldingen verschijnen op het display op het voorpaneel.



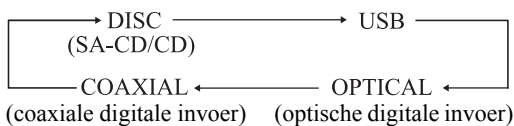
- Druk nog eens op deze toets om de PURE DIRECT-weergavefunctie uit te schakelen.
- Deze instelling wordt ook bewaard wanneer u dit toestel uit zet.

④ PURE DIRECT-indicator

Brandt wanneer de PURE DIRECT-weergavefunctie functie ingeschakeld is.

⑤ SOURCE-toets

Hiermee selecteert u de weer te geven audiobron. Telkens u op deze toets drukt, verandert de audiobron.



De audiobron-instelling wordt ook bewaard wanneer u dit toestel uit zet.

⑥ SOURCE-indicators

De indicator van de audiobron die u via de SOURCE-toets selecteerde brandt.

⑦ LAYER-toets

Hiermee verandert u de laag van weergave van een hybride Super Audio CD tussen SA-CD en CD terwijl de weergave gestopt is (bladzijde 27).



Deze instelling wordt ook bewaard wanneer u dit toestel uit zet.

Opmerking

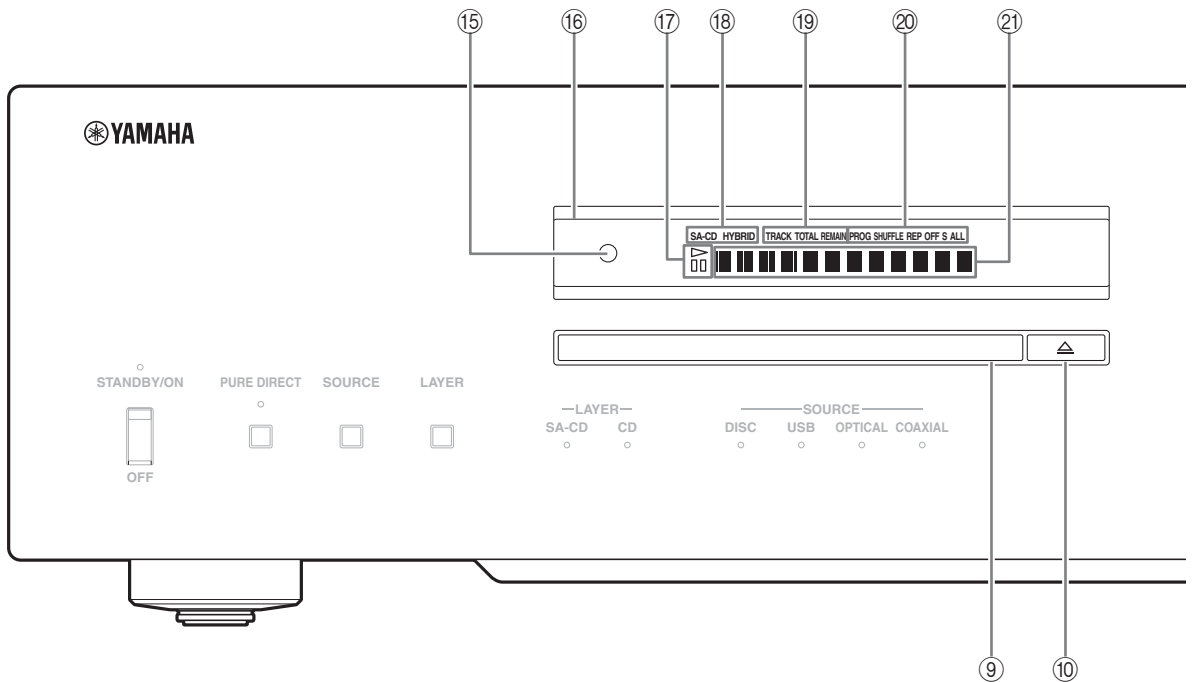
Wanneer de SA-CD-laag wordt geselecteerd, worden de audiosignalen enkel vanaf de BALANCED OUT- en ANALOG OUT-aansluitingen uitgevoerd.

⑧ LAYER-indicators

De indicator van de laag die u via de LAYER-toets selecteerde brandt.

Bedieningsorganen en functies

■ Voorpaneel (bladzijden 6 tot 9)



⑨ Disclade

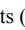
Hiermee kunt u een disc in het toestel doen.

⑩ (Open/Dicht)-toets

Hiermee opent en sluit u de disclade.



De disclade wordt ook automatisch gesloten wanneer u op het volgende drukt:

- op de -toets (Weergave) op het voorpaneel of op de afstandsbediening.
- voorzichtig tegen de voorrand van de disclade.
- op een cijfertoets op de afstandsbediening.

⑪ (Overslaan/Terug zoeken)-toets

Druk éénmaal op de toets om naar het begin van het huidige fragment terug te slaan.

Druk tweemaal om naar het begin van het vorige fragment terug te slaan.

Houd ingedrukt om terug te zoeken.

(Overslaan/Vooruit zoeken)-toets



Druk éénmaal op de toets om naar het volgende fragment te springen.

Houd ingedrukt om vooruit te zoeken.

⑫ (Weergave)-toets

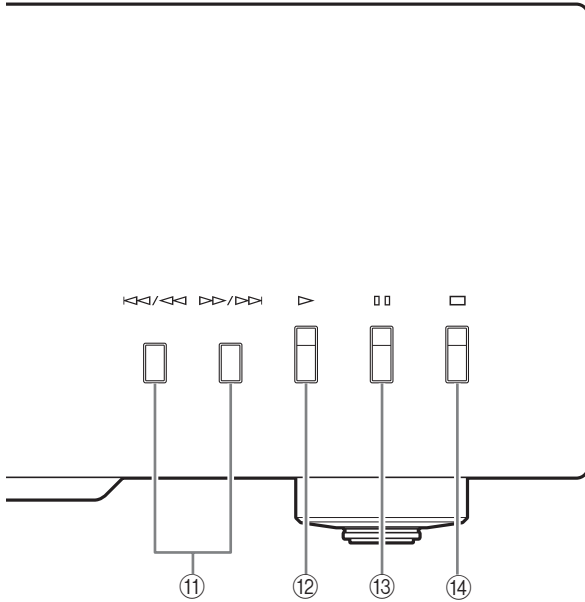
Hiermee begint u de weergave.

⑬ (Pauze)-toets

Hiermee pauzeert u de weergave. Druk op de -of de -toets om de weergave te hervatten.

⑭ (Stop)-toets

Hiermee stopt u de weergave.

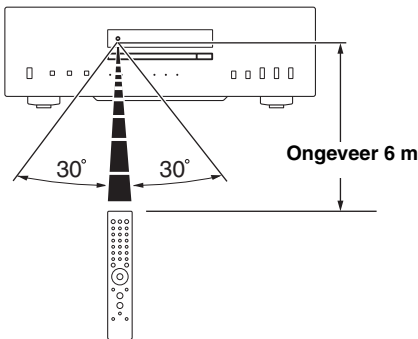


15 Sensor voor de afstandsbediening

Deze ontvangt de signalen van de afstandsbediening.



De afstandsbediening zendt een gerichte infraroodstraal uit. Richt de afstandsbediening op de sensor op het voorpaneel van dit toestel wanneer u dit toestel wilt bedienen.



16 Display

U kunt de helderheid aanpassen via de DIMMER-toets op de afstandsbediening (bladzijde 12).

17 ▷ (weergave)-/ □ □ (pauze)-indicator

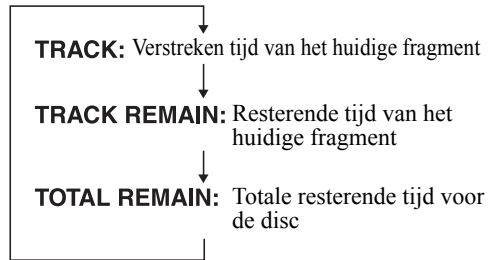
Brandt tijdens de weergave-/pauzefunctie.

18 Disc-type-indicator

Geeft het type weer van de disc (SA-CD/CD/HYBRID) in de disclade.

19 Tijddisplay-weergave-indicator

Geeft de tijddisplay-weergave van het display weer. Verander van weergave door op de DISPLAY-toets op de afstandsbediening te drukken (bladzijde 13).



20 Weergavefunctie-indicator

Geeft de huidige weergavefunctie weer.

PROG: Geprogrammeerde weergave (bladzijde 14)

SHUFFLE: Willekeurige weergave (bladzijde 13)

REP OFF: Herhalen uit (bladzijde 12)

REP S: Herhalen enkel fragment (bladzijde 12)

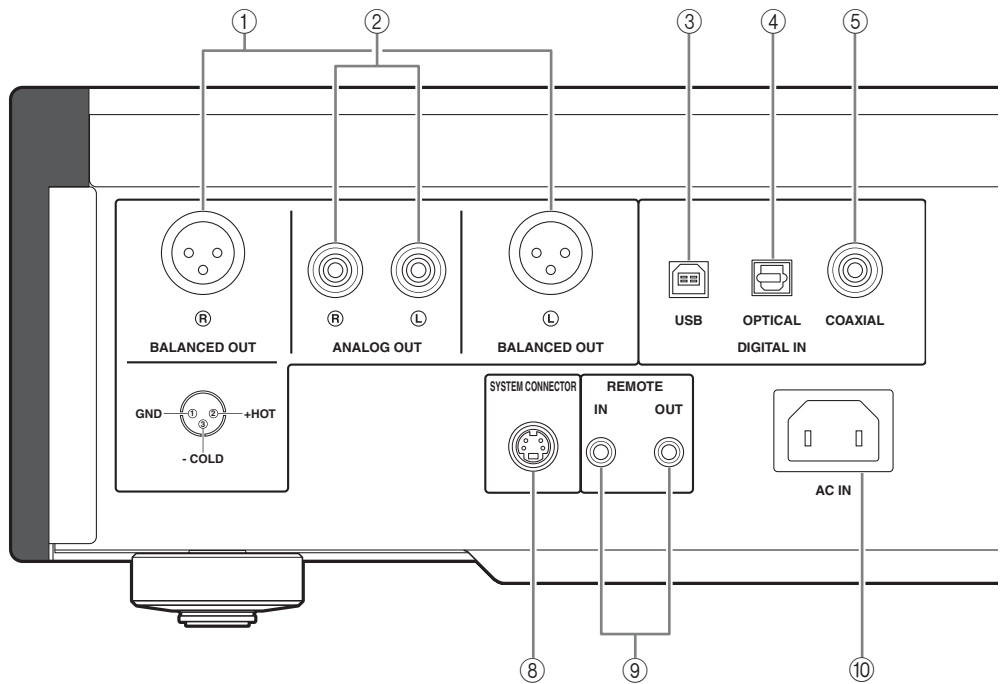
REP ALL: Herhalen alle fragmenten (bladzijde 12)

21 Weergave van informatie

Raadpleeg bladzijde 28 voor meer informatie over MP3/WMA-weergave.

Bedieningsorganen en functies

■ Achterpaneel



Raadpleeg bladzijde 18 voor meer informatie over deze aansluitingen.

- ① **BALANCED OUT-aansluitingen (mannelijk)**
- ② **ANALOG OUT-aansluitingen**
- ③ **DIGITAL IN USB-aansluiting (Type B)**
- ④ **DIGITAL IN OPTICAL-aansluiting**
- ⑤ **DIGITAL IN COAXIAL-aansluiting**
- ⑥ **DIGITAL OUT OPTICAL-aansluiting**
- ⑦ **DIGITAL OUT COAXIAL-aansluiting**

Opmerking

Tijdens het afspelen van de Super Audio CD-laag, worden de audiosignalen enkel vanaf de BALANCED OUT- en ANALOG OUT-aansluitingen uitgevoerd.

⑧ **SYSTEM CONNECTOR**

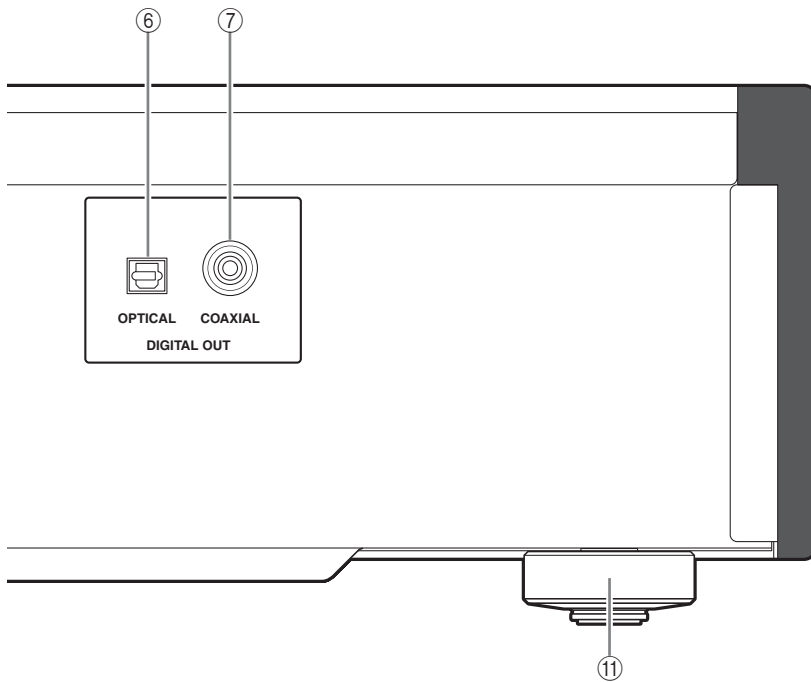
Gebruik deze stekker om een producttestapparaat voor onderhoud aan te sluiten.

⑨ **REMOTE IN/OUT-aansluitingen**

Gebruik deze aansluitingen om een externe component aan te sluiten voor gebruik op afstand. Voor details over de verbinding, raadpleegt u bladzijde 21.

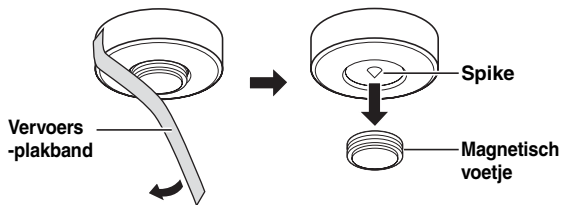
⑩ **AC IN-aansluiting**

Gebruik deze aansluiting voor het meegeleverde netsnoer. Raadpleeg bladzijde 20 voor meer informatie over deze aansluitingen.



11 Voetje

De voetjes van dit toestel bevatten ingebouwde spikes. Gebruik van deze spikes kan het effect van trillingen op het toestel verminderen. Wanneer u de spikes wilt gebruiken, dient u de vervoersplakband te verwijderen, en daarna de magnetische voetjes te verwijderen door deze los te trekken.



Let op

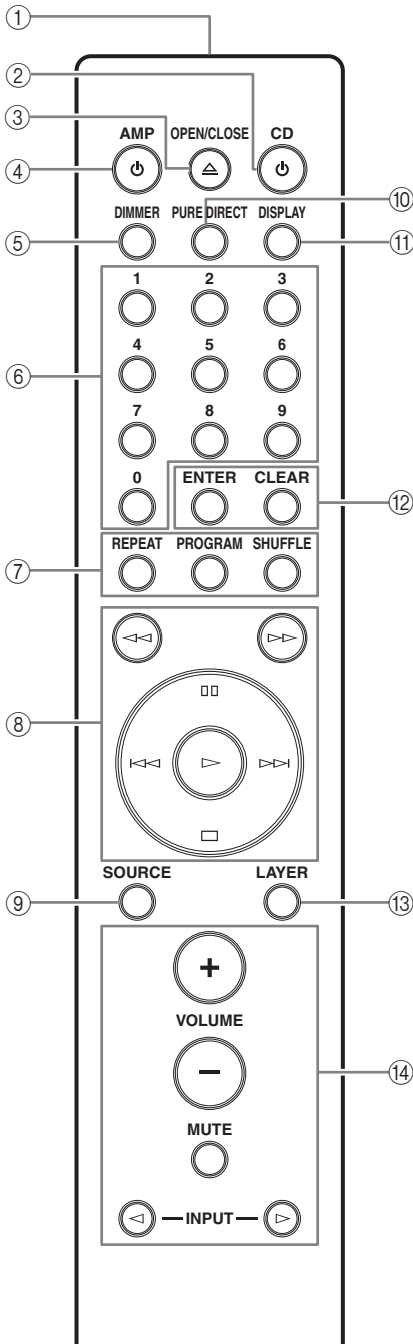
Bij gebruik van de in de voetjes ingebouwde spikes moet u er wel op letten dat deze de ondergrond waarop het toestel is geplaatst kunnen beschadigen. Gebruik de magnetische voetjes of geschikte steunen wanneer u dit toestel op dure meubelen enz. wilt zetten.



Als dit toestel niet recht staat of wiebelt, kunt u de voetjes verstellen door ze te verdraaien.

Bedieningsorganen en functies

■ Afstandsbediening



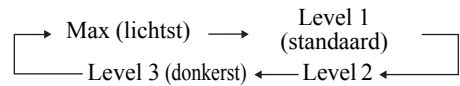
- ① **Infraroodzender**
Zendt infraroodsignalen naar het toestel.
- ② **CD-toets**
Hiermee zet u dit toestel op AAN of schakelt u het naar de STANDBY-functie.
Voor details over STANDBY, raadpleegt u "Voorpaneel" (bladzijde 6).

- ③ **△ OPEN/CLOSE-toets**
Hiermee opent en sluit u de disclade.
- ④ **⏻ AMP-toets**
Hiermee zet u de Yamaha-versterker op AAN of schakelt u het naar de STANDBY-functie.

Opmerking

Sommige Yamaha-versterkers kan men niet via de ⏻ AMP-toets van deze afstandsbediening bedienen.

- ⑤ **DIMMER-toets**
Stelt het helderheidsniveau in voor het display op het voorpaneel. Met elke druk op de DIMMER-toets zal het helderheidsniveau als volgt veranderen:



Deze instelling wordt ook bewaard wanneer u dit toestel uit zet.

- ⑥ **Cijfertoetsen**
Hiermee kunt u direct een fragment selecteren.

Opmerking

Deze handeling werkt niet met MP3-of WMA-discs.

- ⑦ **REPEAT-toets**
Herhaalt de weergave van een enkel fragment of van alle fragmenten. Met elke druk op de REPEAT-toets tijdens de weergave zal de herhaalde weergavefunctie als volgt veranderen:



Opmerking

Deze handeling werkt niet met MP3-of WMA-discs.

- PROGRAM-toets**
Hiermee zet u de geprogrammeerde weergavefunctie aan of uit. Zie "Geprogrammeerde weergave" (bladzijde 14).

SHUFFLE-toets

Speelt fragmenten op de disc af in willekeurige volgorde (willekeurige weergave).

Opmerkingen

- Deze handeling werkt niet met MP3-of WMA-discs.
- De willekeurige weergavefunctie wordt geannuleerd wanneer de weergave wordt gestopt of wanneer de disc wordt uitgeworpen.

⑧ ◀◀ (Terug zoeken)-toets

▶▶ (Vooruit zoeken)-toets

Zoekt terug/vooruit naar het gewenste stuk in een fragment.

⏏ (Pauze)-toets

Hiermee pauzeert u de weergave. Druk op de ▶-of de ⏏-toets om de weergave te hervatten.

▶ (Weergave)-toets

Hiermee begint u de weergave.

⏪ (Terug overslaan)-toets

Druk éénmaal op de toets om naar het begin van het huidige fragment terug te slaan.

Druk tweemaal om naar het begin van het vorige fragment terug te slaan.

▶▶ (Vooruit overslaan)-toets

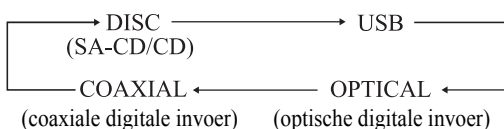
Druk éénmaal op de toets om naar het volgende fragment te springen.

⏏ (Stop)-toets

Hiermee stopt u de weergave.

⑨ SOURCE-toets

Hiermee selecteert u de weer te geven audiobron. Telkens u op deze toets drukt, verandert de audiobron.



De audiobron-instelling wordt ook bewaard wanneer u dit toestel uit zet.

⑩ PURE DIRECT-toets

Hiermee schakelt u de PURE DIRECT-weergavefunctie in om de geluidskwaliteit te verbeteren.

Wanneer dit toestel in de PURE DIRECT-weergavefunctie staat:

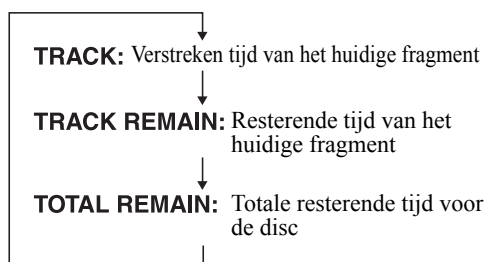
- De PURE DIRECT-indicator brandt.
- Er wordt geen signaal uitgevoerd vanaf de DIGITAL OUT-aansluitingen (OPTICAL en COAXIAL) op het achterpaneel (bladzijde 10).
- Zo min mogelijk indicators en meldingen verschijnen op het display op het voorpaneel.



- Druk nog eens op deze toets om de PURE DIRECT-weergavefunctie uit te schakelen.
- Deze instelling wordt ook bewaard wanneer u dit toestel uit zet.

⑪ DISPLAY-toets

Schakelt de weergave van de tijd om. Met elke druk op de DISPLAY-toets tijdens de weergave zal de weergave van de tijd als volgt veranderen:



⑫ ENTER-toets

Hiermee bevestigt u het ingevoerde fragmentnummer wanneer u fragmenten aan het programmeren bent.

CLEAR-toets

Hiermee kunt u het laatst geprogrammeerde fragment wissen wanneer u een programma aan het samenstellen bent. Zie "Geprogrammeerde weergave" (bladzijde 14).



Om alle geprogrammeerde fragmenten te wissen, drukt u op de CLEAR-toets terwijl de geprogrammeerde weergave gestopt is.

⑬ LAYER-toets

Hiermee verandert u de laag van weergave van een hybride Super Audio CD tussen SA-CD en CD terwijl de weergave gestopt is (bladzijde 27).



Deze instelling wordt ook bewaard wanneer u dit toestel uit zet.

Opmerking

Wanneer de SA-CD-laag wordt geselecteerd, worden de audiosignalen enkel vanaf de BALANCED OUT- en ANALOG OUT-aansluitingen uitgevoerd.

⑩ Yamaha-versterker-bedieningstoetsen

Hiermee bedient u de Yamaha-versterker. Raadpleeg de handleiding van uw versterker voor details.

Opmerking

Sommige Yamaha-versterkers kan men niet via de toetsen van deze afstandsbediening bedienen.

Raadpleeg bladzijde 28 voor meer informatie over MP3/WMA-weergave.

Bedieningsorganen en functies

■ Geprogrammeerde weergave

In de geprogrammeerde weergavefunctie kunt u fragmenten in een door u bepaalde volgorde laten weergeven.

Opmerkingen

- Deze handeling werkt niet met MP3-of WMA-discs.
- De geprogrammeerde nummers worden in de volgende gevallen gewist
 - wanneer de disc wordt uitgeworpen
 - wanneer dit apparaat wordt uitgeschakeld en naar STANDBY-modus gaat
 - wanneer een andere audiobron dan de disc wordt geselecteerd
 - wanneer de weergavelaag van een hybride Super Audio CD wordt geschakeld tussen SA-CD en CD

1 Druk op PROGRAM terwijl de weergave gestopt is.

Dit toestel gaat in de bewerkingsfunctie voor het programma.

2 Selecteer een fragment met behulp van de cijfertoetsen en druk op ENTER.

3 Herhaal stap 2 om het volgende fragment te programmeren.

U kunt maximaal 24 fragmenten programmeren.

4 Druk op de ▷-toets (Weergave).

De weergave zal beginnen vanaf het begin van de geprogrammeerde reeks.

■ De bandbreedte voor DPLL (Digital Phased Lock Loop) instellen

De audio DAC (ES9018) van dit apparaat maakt gebruik van DPLL om precieze kloksignalen te genereren die gesynchroniseerd zijn met de klok van het binnenkomende digitale audiosignaal. De 7-staps instelling van de bandbreedte van de DPLL geeft het apparaat een tolerantie voor de klokschommeling van het binnenkomende digitale signaal en een aanpassing van de nauwkeurigheid van de klok in de DAC.

1 Druk op SOURCE om de af te spelen audiobron te selecteren.

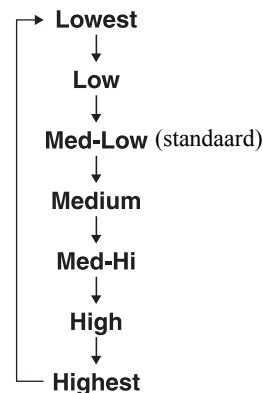
De bandbreedte van de DPLL kan voor elke audiobron respectievelijk worden ingesteld.

2 Druk binnen de 5 seconden na het selecteren van de audiobron op ENTER.

Het apparaat gaat in instelmodus en de op dit moment ingestelde bandbreedte van de DPLL wordt op het informatiescherm weergegeven.

3 Selecteer de bandbreedte van de DPLL met behulp van de ◻◻ (pauze)-toets en de ◻ (stop)-toets.

Elke keer u op de ◻◻ (pauze)-toets drukt, wijzigt de bandbreedte in de volgende volgorde. Als u op de ◻ (pstopauze)-toets drukt, wijzigt deze in omgekeerde volgorde.



4 Druk op ENTER.

De ingestelde waarde flinkt gedurende 3 seconden waarna het apparaat terugkeert naar normale modus. Om de instelling te annuleren, druk u op CLEAR.

Opmerkingen

- Naarmate de ingestelde waarde van de bandbreedte van de DPLL "Lowest" benadert, verbetert de nauwkeurigheid van de klok in de DAC, maar kan het apparaat onderhevig zijn aan een wijziging in de klok van de externe component. Het geluid van zo'n component kan gemakkelijker overslaan.
- Naarmate de ingestelde waarde van de bandbreedte van de DPLL "Highest" benadert, vermindert de nauwkeurigheid van de klok in de DAC, maar is het apparaat veel minder onderhevig aan een wijziging in de klok van de externe component, en slaat het geluid van zo'n component nagenoeg nooit over

■ De AUTO POWER STANDBY-functie instellen

De AUTO POWER STANDBY-functie kan op AAN of UIT worden ingesteld. Wanneer die op AAN staat, als het toestel gedurende 30 minuten niet wordt bediend en geen audiosignaal detecteert, schakelt het automatisch naar de STANDBY-modus. Wanneer die op UIT staat, schakelt het toestel niet automatisch naar de STANDBY-modus.

1 Open de disclade en verwijder de huidig geplaatste disc van het toestel.

Sla stap 1 tot 3 over indien "NO DISC" op het informatiescherm wordt weergegeven.

2 Sluit de disclade.

3 Druk op SOURCE om "DISC" als audiobron te selecteren.

"NO DISC" wordt op het informatiescherm weergegeven.

4 Houd de □-toets (Stop) of de ▷-toets (Weergave) op het voorpaneel ingedrukt gedurende ongeveer 2 seconden om van instelling te veranderen.

□-toets (Stop): De AUTO POWER STANDBY-functie wordt ingeschakeld en "AutoSTBY ON" wordt op het informatiescherm weergegeven.

▷-toets (Weergave): De AUTO POWER STANDBY-functie wordt uitgeschakeld en "AutoSTBY OFF" wordt op het informatiescherm weergegeven.

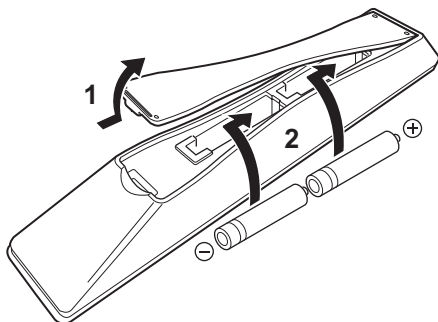
Opmerkingen

- De standaardinstelling voor de AUTO POWER STANDBY-functie is AAN.
- Deze instelling wordt ook bewaard wanneer u dit toestel uit zet.

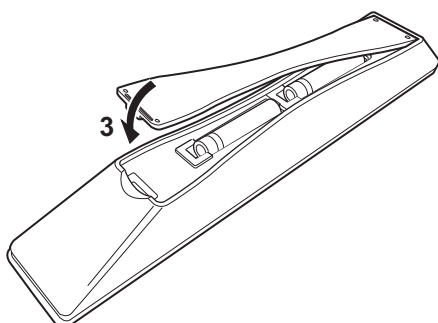
Bedieningsorganen en functies

■ Inzetten van batterijen in de afstandsbediening

- 1 Verwijder de klep van het batterijvak.
- 2 Doe de twee batterijen (AAA, R03, UM-4) in het vak met de polen (+ en -) de goede kant op zoals aangegeven in het batterijvak.



- 3 Plaats de klep van het batterijvak terug.

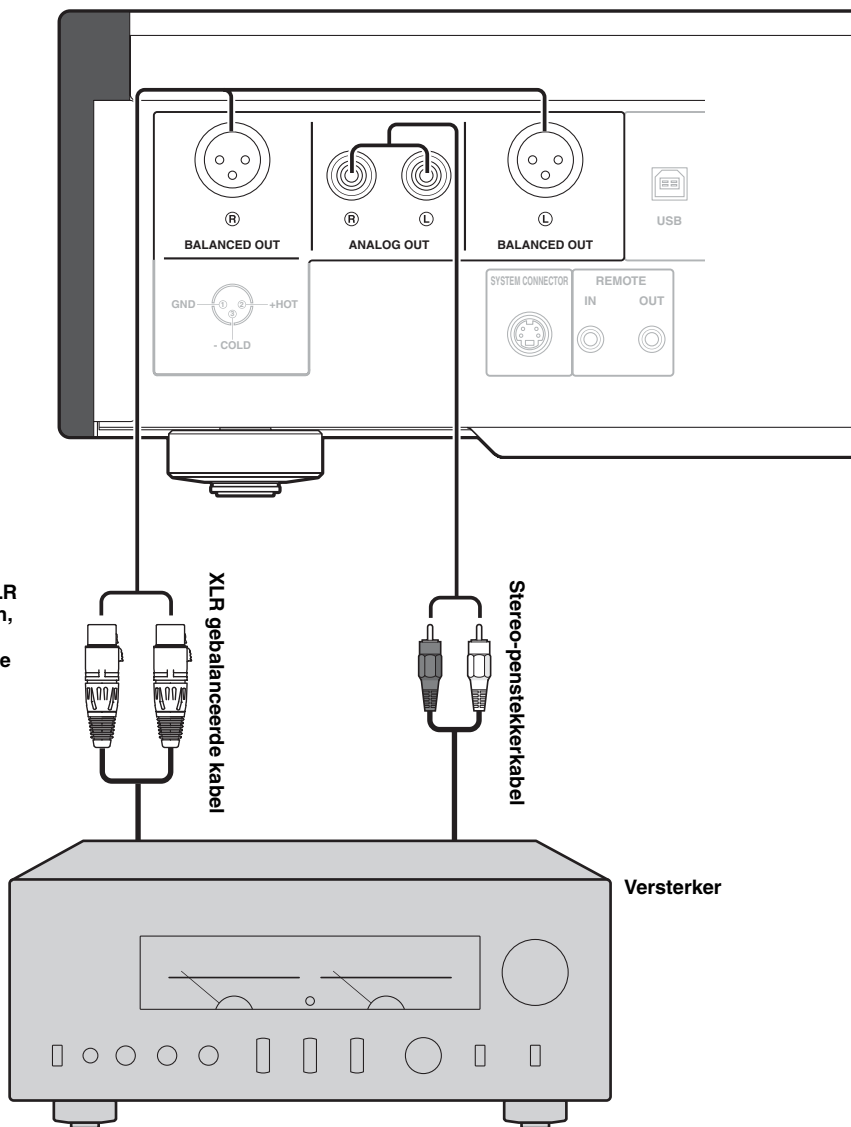


CD-S3000 **Aansluitingen**

In dit gedeelte zult u de verbindingen maken tussen uw CD-S3000 en uw versterker.

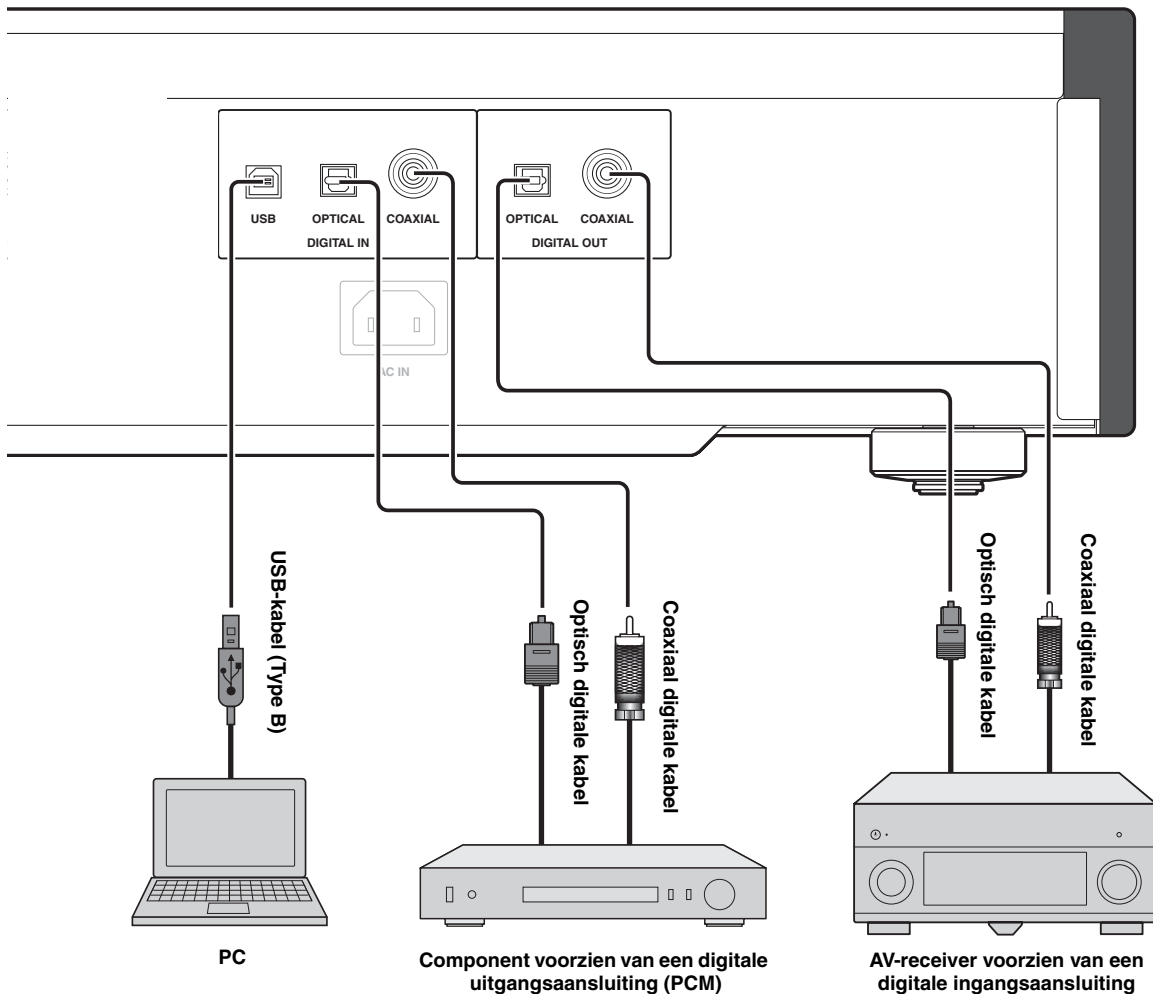


Aansluitingen



Als uw versterker voorzien is van XLR gebalanceerde ingangsaansluitingen, raden we u aan de gebalanceerde verbindingen te maken voor optimale audioprestaties.

Wanneer de SA-CD-laag wordt weergegeven, worden de audiosignalen enkel vanaf de BALANCED OUT- en ANALOG OUT-aansluitingen uitgevoerd.



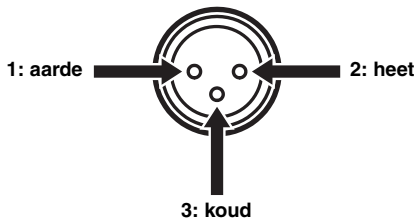
Opmerking

Alleen PCM-signalen kunnen worden ingevoerd via de DIGITAL IN-aansluitingen van dit toestel (OPTICAL/COAXIAL). Voor details over de ondersteunde PCM-signalen, raadpleegt u bladzijde 26.

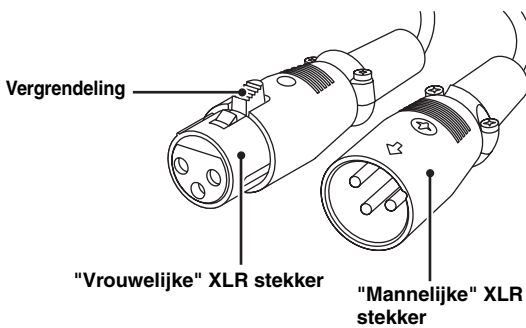
Aansluitingen

■ Verbindingen met de BALANCED OUT-aansluitingen

Sluit uw versterker aan via de XLR gebalanceerde ingangsaansluitingen. De pen-toewijzingen voor deze aansluitingen worden hieronder gegeven. Raadpleeg tevens de handleiding van de versterker in kwestie om te controleren of de XLR gebalanceerde ingangsaansluitingen geschikt zijn voor de pen-toewijzingen.

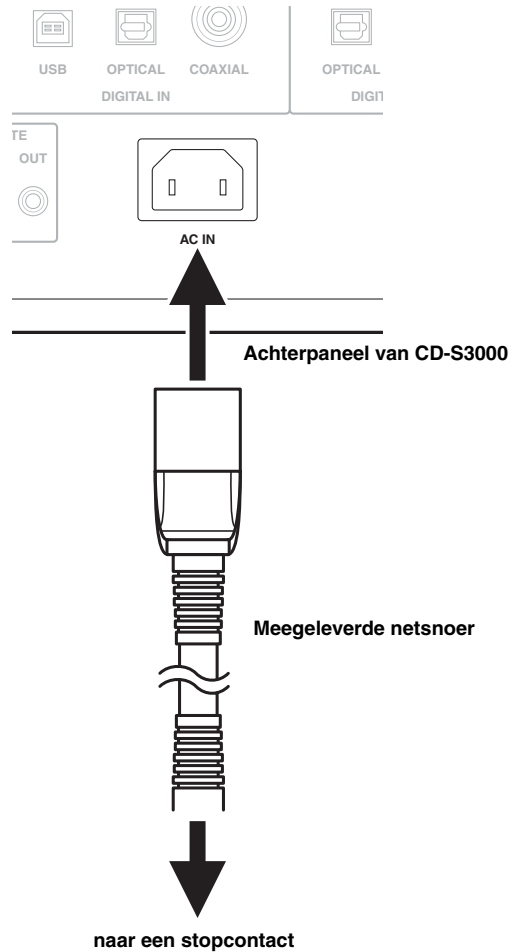


Let er bij het aansluiten op dat u de pennen en de gaatjes netjes in elkaar past en dat u de "vrouwelijke" stekker van de XLR gebalanceerde kabel correct in de andere stekker steekt. Op dezelfde manier dient u bij het loskoppelen de "vrouwelijke" stekker van de XLR gebalanceerde kabel los te trekken terwijl u de vergrendeling op de stekker ingedrukt houdt.



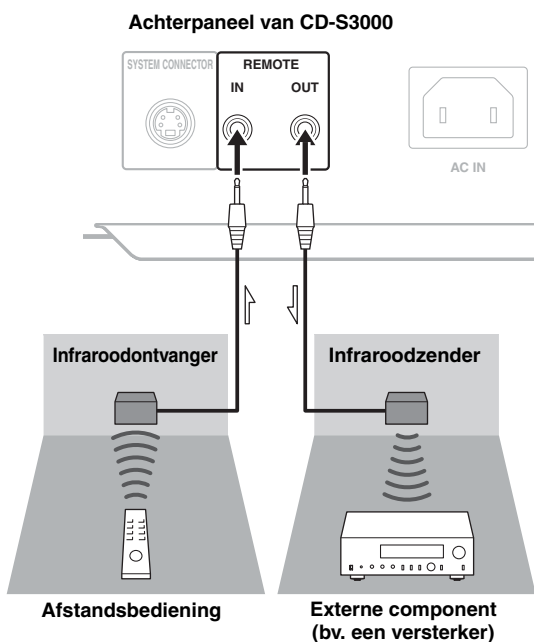
■ Aansluiten van de stroomvoorziening

Doe het netsnoer pas in de AC IN-aansluiting wanneer alle verbindingen gemaakt zijn en doe dan pas de stekker in het stopcontact.



■ Dit toestel vanuit een andere kamer bedienen

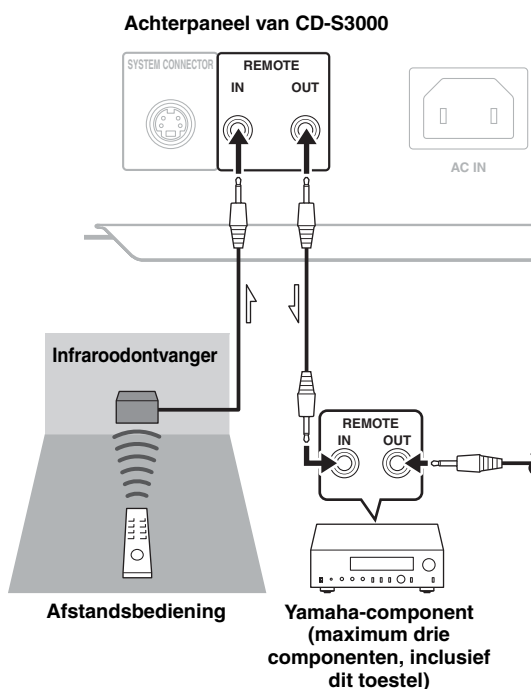
Als u een infraroodontvanger en -zender op de REMOTE IN/OUT-aansluitingen van dit toestel aansluit, kunt u vanuit een andere kamer het toestel en/of een externe component bedienen met behulp van de meegeleverde afstandsbediening.



■ Afstandsverbinding tussen Yamaha-componenten

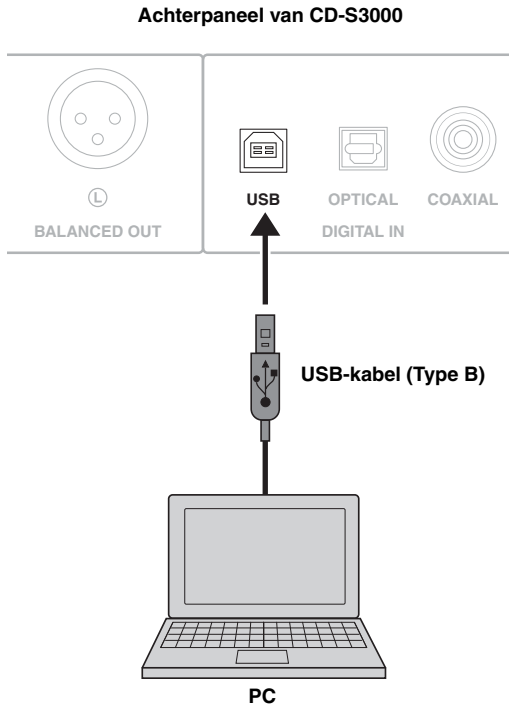
Wanneer u over een andere Yamaha-component beschikt die afstandsverbinding ondersteunt, zoals bij dit toestel, dan is een infraroodzender niet nodig. U kunt afstandsbedieningssignalen zenden door een infraroodontvanger en de REMOTE IN-aansluiting van de andere component aan te sluiten op de REMOTE IN/OUT-aansluitingen van dit toestel aan de hand van kabels met mono ministekkers.

U kunt maximum drie Yamaha-componenten aansluiten (inclusief dit toestel).



Weergave van muziekbestanden die op een PC zijn opgeslagen

Bij het aansluiten van een PC op de USB-aansluiting van dit toestel, kunt u dit toestel als een USB-DAC gebruiken. Hierdoor kunt u de muziekbestanden die op de PC zijn opgeslagen weergeven via een versterker die aangesloten is op het toestel.



■ Ondersteunde besturingssystemen

De USB-aansluiting op dit toestel is bedoeld voor PC's met de volgende besturingssystemen:

Windows: Windows Vista (SP2, 32 bits/64 bits)/
Windows 7 (32 bits/64 bits)/
Windows 8 (32 bits/64 bits)

Mac: OS X 10.5.8/10.6.8/10.7.x/10.8.x

Opmerkingen

- De werking met andere besturingssystemen is niet gegarandeerd.
- De werking is mogelijk niet beschikbaar, zelfs met de bovenstaande besturingssystemen, afhankelijk van de configuratie of de omgeving van de PC.
- De werking kan mogelijk niet juist worden uitgevoerd indien de PC op dit toestel wordt aangesloten alvorens het stuurprogramma te installeren.

■ Het specifieke stuurprogramma installeren

Installeer het specifieke stuurprogramma op de PC alvorens de PC op het toestel aan te sluiten.

- 1 Ga naar de volgende URL, download de specifieke "Yamaha Steinberg USB Driver" en pak het bestand uit en voer het uit.**

Website om het exclusieve stuurprogramma te downloaden

URL: <http://download.yamaha.com/>

- 2 Installeer de gedownloade "Yamaha Steinberg USB Driver" op de PC.**
Raadpleeg de installatiegids die met het gedownloade stuurprogramma werd meegeleverd voor details.
- 3 Sluit alle actieve applicaties nadat de installatie voltooid is.**
- 4 Stel de bestemming voor de audio-uitvoer van de computer in op "Yamaha CD Player".**

Met Windows OS als besturingssysteem:

Configuratiescherm → Geluid → tabblad [Weergave]

Met Mac OS als besturingssysteem:

Systeemvoorkeuren → Geluid → tabblad [Uitvoer]

Afhankelijk van het besturingssysteem kan de instelling verschillen. Raadpleeg de fabrikant van uw PC voor details.



De overdraagbare bemonsteringsfrequenties zijn als volgt:
44,1 kHz/48 kHz/88,2 kHz/96 kHz/176,4 kHz/192 kHz

Opmerkingen

- De werking kan mogelijk niet juist worden uitgevoerd indien de PC op dit toestel wordt aangesloten alvorens het stuurprogramma te installeren.
- Bij installatie van het stuurprogramma op een Windows XP computer kan de werkingssnelheid van de computer vertragen. In dergelijk geval herstart u de computer.
- De "Yamaha Steinberg USB Driver" kan zonder kennisgeving gewijzigd worden. Raadpleeg de downloadpagina voor het stuurprogramma voor details en de meest recente informatie.

■ Weergave van muziekbestanden die op de PC zijn opgeslagen

1 Sluit de PC aan op dit toestel met behulp van een USB-kabel.

2 Zet de PC aan.

3 Zet dit toestel aan door op de **STANDBY/ON/OFF**-schakelaar op het voorpaneel te drukken.

4 Selecteer "**USB**" via de **SOURCE**-toets van dit toestel.

5 Stel de bestemming voor de audio-uitvoer van de PC in op "**Yamaha CD Player**".

Met Windows OS als besturingssysteem:

Configuratiescherm → Geluid → tabblad [Weergave]

Met Mac OS als besturingssysteem:

Systeemvoorkeuren → Geluid → tabblad [Uitvoer]

Afhankelijk van het besturingssysteem kan de instelling verschillen. Raadpleeg de fabrikant van uw PC voor details.

6 Bedien de PC om de weergave van muziekbestanden te starten.

Bij het invoeren van het muzieksignaal vanaf de PC naar het toestel, wordt de bemonsteringsfrequentie van het weergegeven bestand op het display van het toestel aangegeven.

■ Het volume regelen

Om een hogere geluidskwaliteit te verkrijgen, stelt u het volume op de PC op maximum in, en verhoogt u geleidelijk aan het volume vanaf minimum tot het gewenste niveau op de versterker.

Opmerkingen

- Ontkoppel de USB-kabel niet, zet het toestel niet uit, en verander de invoer via de SOURCE-toets niet tijdens de weergave op een PC die via de USB-kabel is aangesloten. Dit kan een storing veroorzaken.
- Wijzig de instelling op de PC om het bedieningsgeluid van de PC tijdens muziekweergave te dempen.
- Herstart de computer en voer de bovenstaande procedure opnieuw uit indien de muziekbestanden niet op de juiste wijze worden afgespeeld.
- De muziekbestanden die op een PC zijn opgeslagen kunnen niet vanaf dit toestel of via de afstandsbediening van dit toestel worden bediend. Bedien die op de PC.

CD-S3000

Technische gegevens

In dit gedeelte treft u de technische gegevens voor de CD-S3000 aan.



Technische gegevens

AUDIO-GEDEELTE

- Frequentierespons (1 kHz, 0 dB)
 - SA-CD 2 Hz tot 50 kHz (-3 dB)
 - CD 2 Hz tot 20 kHz
- Frequentiebereik van weergave 2 Hz tot 96 kHz
- Harmonische vervorming (1 kHz, 0 dB)
 - SA-CD 0,002 % of minder
 - CD 0,002 % of minder
- Signaal-ruis verhouding (IHF-A netwerk) (1 kHz, 0 dB)
 - SA-CD/CD 116 dB of meer
- Dynamisch bereik (1 kHz, 0 dB)
 - SA-CD 110 dB of meer
 - CD 100 dB of meer
- Uitgangsniveau (1 kHz, 0 dB)
 - SA-CD/CD $2,0 \pm 0,3$ V

EIGENSCHAPPEN LASERDIODE

- Golflengte
 - SA-CD 655 nm
 - CD 790 nm
- Uitgangsvermogen
 - SA-CD 1,89 mW (max)
 - CD 1,36 mW (max)

INGANG-/UITGANGGEDEELTE

- Digitale ingang (DITIGAL IN)
 - USB (Type B) × 1 compatibel met USB 2.0
 - OPTICAL × 1
 - COAXIAL × 1
 - Ondersteunde audiobemonsteringsfrequentie
 - 44,1/48/88,2/96/176,4/192 kHz
 - Kwantisatiebitsnelheid 16 bits/24 bits
- Digitale uitgang (DITIGAL OUT)
 - OPTICAL × 1
 - COAXIAL × 1
 - Ondersteunde bemonsteringsfrequentie voor de audio
 - 44,1/48/88,2/96/176,4/192 kHz
 - Kwantisatiebitsnelheid 16 bits/24 bits
- Audio-uitgang
 - ANALOG OUT onevenwichtig × 2 kan. (L/R)
 - BALANCED OUT gebalanceerd × 2 kan. (L/R)
- Externe ingang/uitgang
 - REMOTE IN
 - REMOTE OUT
- Systemstekker
 - SYSTEM CONNECTOR

ALGEMEEN

- Stroomvoorziening
 - [Modellen voor China, Korea, Azië, Australië, het V.K. en Europa] 220 – 240 V, 50/60 Hz wisselstroom
 - [Modellen voor de V.S., Canada en Taiwan]
 - 110 – 120 V, 50/60 Hz wisselstroom
 - Stroomverbruik 30 W
 - Stroomverbruik in stand-bystand (referentiegegevens) 0,3 W
 - Afmetingen (b × h × d) 435 × 142 × 440 mm
 - Gewicht 19,2 kg
- * Technische gegevens kunnen zonder kennisgeving gewijzigd worden.

Goed zorgen voor uw toestel

Gepolijste afwerking van de zijpanelen

Het gebruik van een Yamaha Unicon doekje (los verkrijgbaar) is aangeraden. Gebruik voor zwaar vuil een Yamaha Piano Unicon doekje (los verkrijgbaar). Neem contact op met uw dichtstbijzijnde erkende Yamaha-dealer of servicecentrum voor de aankoop hiervan.

Andere afwerking

Gebruik geen chemische oplosmiddelen (alcohol, verfverdunder enz.) wanneer u dit toestel schoonmaakt; deze kunnen de afwerking aantasten. Gebruik een schone, droge doek. Voor hardnekkig vuil kunt u een zachte doek vochtig maken met verdund afwasmiddel ("sopje") en het toestel afnemen met de aldus bevochtigde doek.

■ Ondersteunde discsoorten

Dit toestel is ontworpen om compact discs met de hieronder vermelde logo's weer te kunnen geven. Probeer in geen geval andere soorten discs in dit toestel te doen. Dit toestel kan ook 8-cm CD's (CD-singles) weergeven.

Super Audio CD

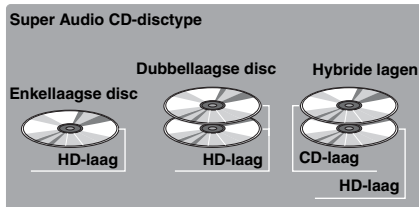


SUPER AUDIO CD

Een audioformaat dat gebaseerd is op de huidige CD-standaarden, maar dat een grotere hoeveelheid gegevens bevat en daardoor een hogere geluidskwaliteit levert. Er zijn drie soorten discs: enkellaags, dubbellaags en hybride discs. Een hybride disc kan zowel op bestaande CD-spelers als op Super Audio CD-spelers worden weergegeven omdat er zowel standaard Audio-CD-als Super Audio CD-gegevens op staan.

Opmerking

Dit toestel geeft geen tekstgegevens weer op het display op het voorpaneel.



Compact discs (digitale audio)



De meest populaire discs voor commercieel verkrijgbare audiodiscs.

CD-R, CD-RW digitale audiodiscs



Muziek CD's gemaakt door te kopiëren naar een CD-R of CD-RW (inclusief MP3-of WMA-bestanden).

Opmerkingen

- Gebruik een CD-R of CD-RW van een betrouwbare fabrikant.
- Gebruik een CD-R of CD-RW die op zijn minst één van de volgende vermeldingen heeft op de disc zelf of op de verpakking.
 - FOR CONSUMER
 - FOR CONSUMER USE
 - FOR MUSIC USE ONLY
- Gebruik een correct afgesloten CD-R of CD-RW.

CD-TEXT discs



Discs waarop ook tekstgegevens zijn opgenomen, zoals albumtitels, songtitels en namen van artiesten. Deze discs kunnen gewoon worden afgespeeld met normale CD-spelers.

Opmerking

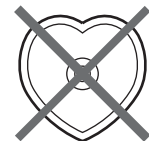
Dit toestel geeft geen tekstgegevens weer op het display op het voorpaneel.

OPMERKING:

Het is mogelijk dat dit toestel bepaalde, niet helemaal correct opgenomen CD-RW's niet zal kunnen afspelen.

Voorkomen van storingen aan het toestel:

- Gebruik geen discs met afwijkende vormen (hartvormig enz.) die in de handel verkrijgbaar zijn, want deze kunnen dit toestel beschadigen.
- Gebruik geen discs met plakband, stickers of lijm erop. Dergelijke discs kunnen vast komen te zitten in het toestel of op een andere manier het toestel beschadigen.



Geschiede discsoorten

■ Over MP3-en WMA-discs

U kunt MP3-en WMA-bestanden die zijn opgenomen op een CD-R of CD-RW op ongeveer dezelfde manier laten weergeven als een muziek-CD.

MP3

MP3 (MPEG-1 Audio Layer-3) is een standaard technologie en bestandsindeling voor het comprimeren van geluidssignalen tot kleine bestanden. Bij weergave blijft echter de oorspronkelijke geluidskwaliteit vrijwel geheel bewaard.

Opmerkingen

- Dit toestel is in staat MP3-bestanden op alfanumerieke volgorde weer te geven.
- Er kunnen maximaal 648 mappen en bestanden (gecombineerd) en maximaal 299 mappen worden herkend; afhankelijk van de mappenstructuur is het echter mogelijk dat bepaalde mappen en bestanden niet zullen worden herkend.
- Afhankelijk van opname-omstandigheden, zoals instellingen van de gebruikte opnamesoftware, is het mogelijk dat dit toestel niet in staat is de disc of bepaalde bestanden weer te geven in de volgorde waarin ze zijn opgenomen.
- Dit toestel is geschikt voor een bemonsteringsfrequentie van 44,1 kHz.
- Dit toestel is geschikt voor bitsnelheden van 32, 40, 48, 56, 64, 80, 96, 112, 128, 160, 192, 224, 256, en 320 kbps. Er wordt geen ondersteuning geboden voor variabele bitsnelheden.
- De disc moet ISO9660-compatibel zijn.
- De tekstgegevens in de bestanden worden niet op dit toestel weergegeven.

WMA

WMA (Windows Media Audio) is een bestandsindeling van Microsoft voor het coderen van digitale audio die vergelijkbaar is met MP3, alhoewel WMA bestanden meer kan comprimeren dan MP3.

Opmerkingen

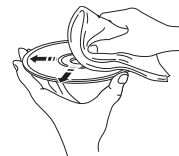
- Dit toestel is in staat WMA-bestanden op alfanumerieke volgorde weer te geven.
- Er kunnen maximaal 648 mappen en bestanden (gecombineerd) en maximaal 299 mappen worden herkend; afhankelijk van de mappenstructuur is het echter mogelijk dat bepaalde mappen en bestanden niet zullen worden herkend.
- Dit toestel is geschikt voor een bemonsteringsfrequentie van 44,1 kHz.
- Dit toestel is geschikt voor bitsnelheden van 48, 64, 80, 96, 128, 160, en 192 kbps. Er wordt geen ondersteuning geboden voor variabele bitsnelheden.
- De disc moet ISO9660-compatibel zijn.
- WMA bestanden die zijn voorzien van een auteursrechtelijke beveiliging kunnen niet worden weergegeven met dit toestel.
- De tekstgegevens in de bestanden worden niet op dit toestel weergegeven.

■ Omgaan met compact discs

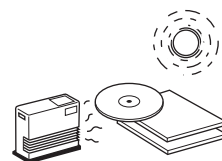
- Ga altijd zorgvuldig met uw discs om zodat er geen krassen op het oppervlak komen.



- Compact discs verslijten vrijwel niet van het afspelen, maar beschadigingen op het oppervlak die ontstaan door het omgaan met de disc kunnen negatieve gevolgen hebben voor de weergave.
- Gebruik een viltstift of iets dergelijks wanneer u iets op de labelkant van de disc wilt schrijven. Gebruik in geen geval een balpen, potlood of ander instrument met een harde punt, want hierdoor kan de disc beschadigd raken, hetgeen negatieve gevolgen kan hebben voor de weergave.
- Zorg ervoor dat de discs niet vervormd raken.
- Wanneer u klaar bent met een disc, haal deze dan uit het toestel en bewaar hem in een daarvoor geschikte verpakking.
- Wees voorzichtig dat u het oppervlak met de opnamen niet bekrast wanneer u een disc uit het toestel haalt of opbergt.
- Compact discs hebben geen last van kleine stofjes of lichte vingerafdrukken op het oppervlak met de opnamen, maar u moet ze toch proberen netjes schoon te houden. Veeg het oppervlak van de disc af met een schone, droge doek. Veeg niet in rondgaande bewegingen over het oppervlak van de disc; veeg recht van het midden naar de rand.



- Probeer in geen geval het discoppervlak te reinigen met een of andere discreiniger, platenspray, antistatische spray of vloeistof, of met enig ander chemisch middel, want hierdoor kan het discoppervlak onherstelbaar beschadigd worden.
- Stel discs niet te lang bloot aan direct zonlicht, hoge temperaturen of hoge vochtigheid, want door deze omstandigheden kunnen ze vervormd raken of anderszins schade oplopen.



- Om een 8 cm CD (CD-single) af te spelen, dient u deze in de binnenste uitsparing van de disclade te plaatsen. Leg geen gewone 12 cm CD bovenop een 8 cm CD (CD-single).

Oplossen van problemen

Raadpleeg de tabel hieronder wanneer het toestel niet naar behoren functioneert. Als het probleem niet hieronder vermeld staat, of als de aanwijzingen het probleem niet verhelpen, zet het toestel dan uit, haal het netsnoer uit het stopcontact en neem contact op met uw dichtstbijzijnde erkende Yamaha-dealer of servicecentrum.

Probleem	Oorzaak	Oplossing	Zie bladzijde
Het toestel wordt niet ingeschakeld wanneer STANDBY/ON/OFF naar boven wordt gedrukt.	Het netsnoer is niet aangesloten of niet volledig aangesloten.	Sluit het netsnoer goed aan.	20
Dit apparaat schakelt automatisch naar STANDBY-modus.	De automatische stand-byfunctie wordt geactiveerd.	Als het apparaat gedurende 30 minuten niet wordt bediend en geen audiosignaal detecteert, schakelt het automatisch naar de STANDBY-modus.	6
De disclade sluit niet volledig.	De disclade wordt door een vreemd voorwerp gehinderd.	Controleer voorzichtig de disclade en verwijder het vreemde voorwerp.	—
De weergave begint niet.	De disc is beschadigd.	Controleer de disc nauwkeurig; vernieuw deze indien nodig.	—
	Er bevindt zich vocht op de laser pick-up.	Wacht 20 tot 30 minuten na het inschakelen van het toestel, alvorens te proberen een disc af te spelen.	—
	De disc is ondersteboven in de lade geplaatst.	Laad de disc opnieuw met het label naar boven gericht.	—
	De disc is verontreinigd.	Reinig de disc.	28
	De MP3-of WMA-formaten zijn niet compatibel met dit toestel.	Vervang de disc door een correct opgenomen disc die wel met dit toestel kan worden weergegeven.	28
	De CD-RW (herschrijfbaar) disc is niet correct opgenomen.	Vervang de disc door een correct opgenomen disc die wel met dit toestel kan worden weergegeven.	27
	Vervang de disc door een correct opgenomen disc die op dit toestel kan worden weergegeven.	Vervang de disc door een correct opgenomen disc die wel met dit toestel kan worden weergegeven.	27
De weergave begint vertraagd of begint op het verkeerde punt.	De disc is vermoedelijk bekrast of beschadigd.	Controleer de disc nauwkeurig; vernieuw deze indien nodig.	28
Geen geluid.	Verkeerde aansluiting van de uitgangssignaalkabels.	Sluit de kabels op de juiste wijze aan. Indien het probleem blijft voortbestaan, zijn de kabels vermoedelijk defect.	18
	Verkeerde bediening van de versterker.	Stel de regelaars van de versterker in op de juiste ingangssignaalkeuze.	—
Er wordt geen geluid weergegeven vanaf de component die aangesloten is op de digitale ingangsaansluitingen.	Het toestel bevindt zich in de PURE DIRECT-weergavefunctie.	Schakel de PURE DIRECT-weergavefunctie.	7
	De Super Audio CD-laag wordt afgespeeld.	Verander van laag voor de weergave.	7
Het geluid "slaat over".	Dit toestel is onderhevig aan trillingen of schokken.	Stel dit toestel op een andere plaats op.	—
	De disc is verontreinigd.	Reinig de disc.	28
	De klok van het weergegeven audiosignaal schommelt.	Wijzig de bandbreedte van de DPLL van de audio DAC (ES9018).	14

Oplossen van problemen

Probleem	Oorzaak	Oplossing	Zie bladzijde
Het geluid "bromt".	Verkeerde aansluiting van de kabels.	Maak de audiokabels goed vast. Indien het probleem blijft voortbestaan, zijn de kabels vermoedelijk defect.	18
Storing van een in de buurt opgestelde tuner.	De tuner bevindt zich te dicht bij dit toestel.	Plaats de tuner en dit toestel verder uit elkaar.	—
Storing van binnenuit de disclade.	De disc is vermoedelijk kromgetrokken.	Vernieuw de disc.	28
Er komt geen geluid uit de component die aangesloten is op de DIGITAL IN -aansluiting (OPTICAL of COAXIAL).	De instelling van de uitgevoerde audiobron op de aangesloten component is verschillend van "PCM".	Alleen PCM-audiobronnen kunnen worden weergegeven via de DIGITAL IN -aansluitingen van dit toestel (OPTICAL/ COAXIAL). Stel de uitgevoerde audiobron van de aangesloten component in op "PCM".	—
De zender van de afstandbediening werkt niet.	De batterijen van de afstandbediening zijn te zwak.	Vervang de batterijen door nieuwe.	16
	De afstandbediening is te ver verwijderd of wordt te schuin gehouden.	Gebruik de afstandbediening binnen een bereik van 6 meter en een hoek van 60°.	9
	Direct zonlicht of verlichting (van een sterke fluorescerende lamp, enz.) valt op de sensor van de afstandbediening van dit toestel.	Stel het toestel anders op.	9

■ Over de USB-aansluiting

Probleem	Oorzaak	Oplossing	Zie bladzijde
De aangesloten PC herkent dit toestel niet.	Het besturingssysteem van de PC wordt niet ondersteund.	Gebruik een PC met een besturingssysteem waarvan de werking gegarandeerd is.	22
	Verkeerde aansluiting van de USB-kabel.	Sluit de USB-kabel op de juiste wijze aan.	19, 22
	De uitvoer van de PC of applicatie is gedempt.	Annuleer het dempen van het geluid op de PC of applicatie.	—
Weergave met ruis.	Een andere applicatie wordt op de PC opgestart tijdens de weergave van een muziekbestand.	Indien een andere applicatie wordt opgestart tijdens de weergave van een muziekbestand, dan kan het geluid tijdelijk wegvallen of kan er ruis worden gegenereerd. Start geen andere applicaties op tijdens de weergave.	—
Muziekbestanden worden niet afgespeeld.	De muziekgegevens worden niet op de juiste wijze gereproduceerd omdat dit toestel op de PC is aangesloten of omdat de invoer van dit toestel naar "USB" werd geschakeld terwijl de muziekapplicatie op de PC wordt uitgevoerd.	Sluit dit toestel aan op de PC en stel de invoer van het toestel op voorhand in op "USB". Dan kunt u de muziekapplicatie en de weergave starten.	23
	De specifieke "Yamaha Steinberg USB Driver" werd niet op de juiste wijze geïnstalleerd.	Installeer de "Yamaha Steinberg USB Driver" opnieuw volgens de juiste procedure.	22

■ Berichten op het informatiescherm

Bericht	Status
NO DISC	Er zit geen disc in de disclade.
Check Cable	De specifieke "Yamaha Steinberg USB Driver" werd niet correct geïnstalleerd. Of de audio-uitvoer van de computer werd niet ingesteld op "Yamaha CD Player".
Check PC	Het audiosignaal van de computer kan niet worden herkend.
Fs: ----kHz	Er werd geen audiosignaal herkend.

Живые традиции звучания

Создание фортепьяно стало возможным благодаря идеальному сочетанию таких факторов, как возросшее техническое и художественное мастерство. Такое фортепьяно позволяет обеспечить звучание, в полной мере отражающее чувства исполнителя.

Последний этап при производстве фортепьяно называется “интонировка”. Именно благодаря этой процедуре инструмент обретает свою душу.

Высококвалифицированный специалист полностью концентрируется на звучании каждой клавиши, точно настраивая динамическое ощущение молоточков и придавая всем 88 клавишам прекрасный тон и живое звучание, что воистину является потрясающим достижением.

Это качество звука, которое можно определить только благодаря тонкому и чувствительному слуху. Мы применяем тот же самый подход при производстве нашей аудиоаппаратуры. Специалист проводит всестороннее прослушивание и обращает внимание на каждый элемент, чтобы в итоге достичь идеального звука.

Традиции качества звучания компании Yamaha насчитывают уже 125 лет и продолжают существовать сегодня во всех продуктах Yamaha.



Превосходство в достижениях в сфере аудиокomпонентов

1920-
1960s

Первая HiFi-система представлена в 1920 г.
В 1955 – 1965 гг. мы вывели на рынок множество компонентов HiFi (проигрыватели, ЧМ-/AM-тюнеры, интегрированные усилители, предусилители, усилители мощности и колонки).



NS-20



CA-1000

1970s

Серия акустических систем естественного звучания представлена в 1967 г.

Контрольная колонка NS-20

Интегрированный усилитель CA-1000

Усилитель CA-1000 с первоклассными характеристиками установил стандарт для интегрированных усилителей.



NS-690



NS-1000M

Акустическая система естественного звучания NS-690

Контрольная колонка NS-1000M

Эту поистине легендарную колонку до сих пор уважают поклонники HiFi.

Усилитель мощности В-1

Передовой усилитель мощности, использующий полевые транзисторы на всех каскадах.

Управляющий усилитель С-2

Завоевал главный приз на Миланской международной выставке музыкальных и HiFi-компонентов.

Студийная контрольная колонка NS-10M

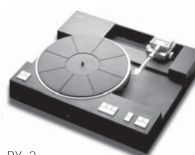
Стала наиболее популярной студийной контрольной колонкой в мире.



B-1



C-2



PX-2



NS-10M



A-1

Интегрированный усилитель А-1

Проигрыватель РХ-2

Первый проигрыватель Yamaha с прямым тонармом.



B-6



B-2x

1980s

Усилитель мощности В-6

Пирамидообразный усилитель мощности.

Проигрыватель GT-2000/L

Первый CD-проигрыватель (CD-1) представлен в 1983 г.

Усилитель мощности В-2х

Усилитель мощности МХ-10000 и управляющий усилитель СХ-10000

Переопределили возможности отдельных компонентов.



MX-10000



CX-10000

1990s

Интегрированный усилитель АХ-1

CD-проигрыватель GT-CD1

Усилитель мощности МХ-1 и предусилитель СХ-1



Soavo-1



A-S2000



CD-S2000

2000s

Акустические системы естественного звучания Soavo-1 и Soavo-2

Стереоусилитель А-S2000 и проигрыватель Super Audio CD CD-S2000

2010s

Сетевой проигрыватель NP-S2000



NP-S2000

CD-S3000

- ◆ *Уравновешенная передача сигнала по всем каскадам, начиная с ЦАП, обеспечивает полное воспроизведение CD*
- ◆ *Независимые источники питания для полностью раздельных цифровых и аналоговых сигналов*
- ◆ *Эксклюзивное загрузочное устройство Yamaha и высокоточный привод CD*
- ◆ *Симметричный дизайн левой и правой сторон с прочной и устойчивой конструкцией*
- ◆ *Pure Direct*
- ◆ *Высокое качество звучания Super Audio CD*
- ◆ *Мощные ножки с обновленными противовибрационными шипами*
- ◆ *Воспроизведение DSD с помощью 24-битного ЦАП USB с частотой 192 кГц*

■ **Поставляемые аксессуары**

Пожалуйста, убедитесь в получении всех следующих аксессуаров.

- Кабель питания
- Пульт ДУ
- Батарейки (AAA, R03, UM-4) (×2)
- Штыревой стереокабель
- БРОШЮРА ПО ТЕХНИКЕ БЕЗОПАСНОСТИ

Содержание

Системы управления и функции	6
Соединения	18
Воспроизведение музыкальных файлов, сохраненных на ПК.....	22
Технические характеристики	26
Формат воспроизводимого диска.....	27
Возможные неисправности и способы их устранения	29

■ **О данном руководстве**

- * означает совет для облегчения управления.
- Цвет на изображениях в данном руководстве может отличаться от реального цвета.
- Перед использованием данного аппарата изучите “БРОШЮРУ ПО ТЕХНИКЕ БЕЗОПАСНОСТИ”.

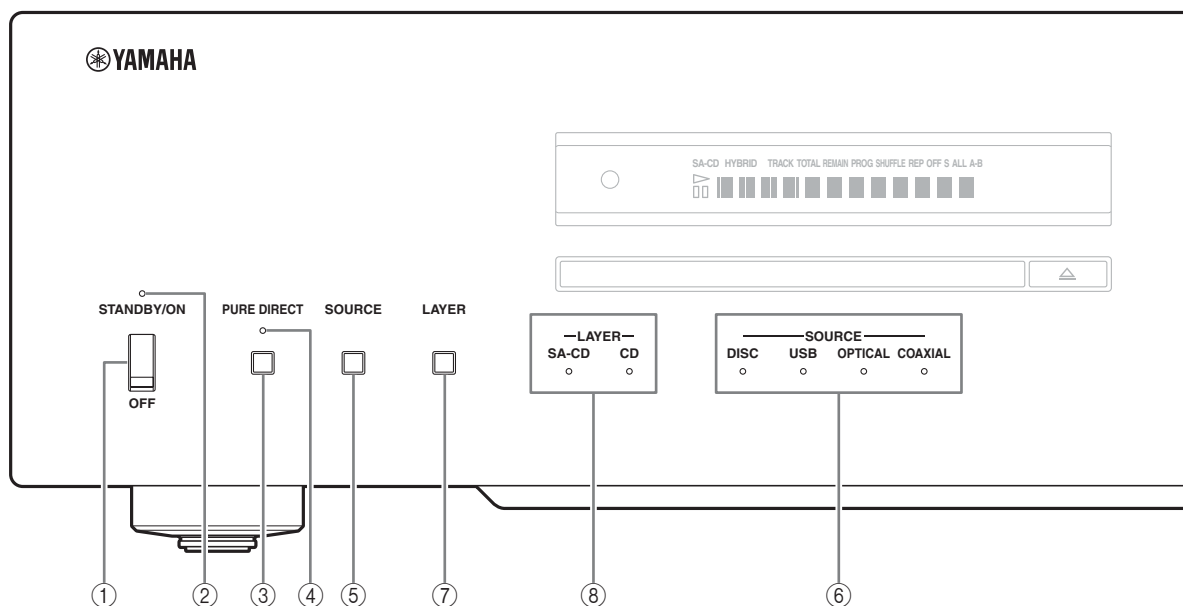
CD-S3000

Системы управления и функции

В данном разделе описываются системы управления и функции CD-S3000




■ Фронтальная панель (стр. с 6 по 9)



① Переключатель STANDBY/ON/OFF

Включение или выключение аппарата.

STANDBY/ON (верхнее положение):

В этом положении можно выбрать STANDBY или ON с помощью кнопки  CD на пульте ДУ.

OFF (нижнее положение):


Питание данного аппарата отключено.

Примечания

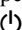
- После включения данного аппарата он начнет воспроизводить звук только через несколько секунд.
- Если данный аппарат не используется в течение 30 минут и не обнаруживается аудиосигнал, то он переходит в режим STANDBY (стр. 15).
- Если отсоединить кабель питания от сети переменного тока и снова подсоединить его, когда аппарат находится в режиме STANDBY, то при этом будет включено питание аппарата (стр. 20). Если аппарат не будет использоваться в течение длительного времени, установите переключатель STANDBY/ON/OFF в положение OFF.

② Индикатор STANDBY/ON

Яркий свет:

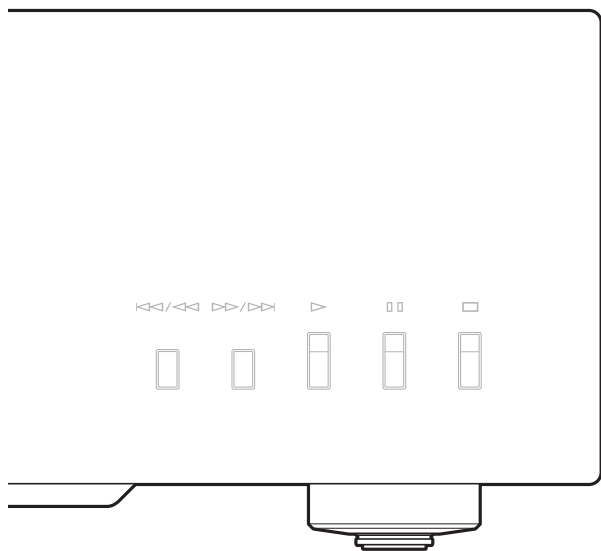
Указывает на то, что питание аппарата включено (ON). В этом случае можно переключить аппарат в режим STANDBY с помощью кнопки  CD на пульте ДУ.

Тусклый свет:

Указывает на то, что это аппарат находится в режиме STANDBY. В этом случае нажмите кнопку  CD на пульте ДУ, чтобы включить аппарат.

Не горит:

Указывает на то, что питание аппарата выключено (OFF). В этом случае можно включить аппарат только с помощью переключателя STANDBY/ON/OFF.



③ Кнопка PURE DIRECT

Включение режима PURE DIRECT для улучшения качества звучания.

Если данный аппарат находится в режиме PURE DIRECT:

- сигналы не выводятся через гнезда DIGITAL OUT (OPTICAL и COAXIAL) на задней панели (стр. 10);
- остальные индикаторы и сообщения появляются на дисплее фронтальной панели.



- Снова нажмите данную кнопку для отключения режима PURE DIRECT.
- Данная настройка остается неизменной даже после отключения данного аппарата.

④ Индикатор PURE DIRECT

Горит, если включен режим PURE DIRECT.

⑤ Кнопка SOURCE

Выбор источника сигнала для воспроизведения. При каждом нажатии данной кнопки изменяется источник сигнала для воспроизведения.



Настройка источника сигнала остается неизменной даже после отключения данного аппарата.

⑥ Индикаторы SOURCE

Горит индикатор источника сигнала, выбранного с помощью кнопки SOURCE.

⑦ Кнопка LAYER

Переключение слоя воспроизведения гибридного диска Super Audio CD между SA-CD и CD при остановленном воспроизведении (стр. 27).



Данная настройка остается неизменной даже после отключения данного аппарата.

Примечание

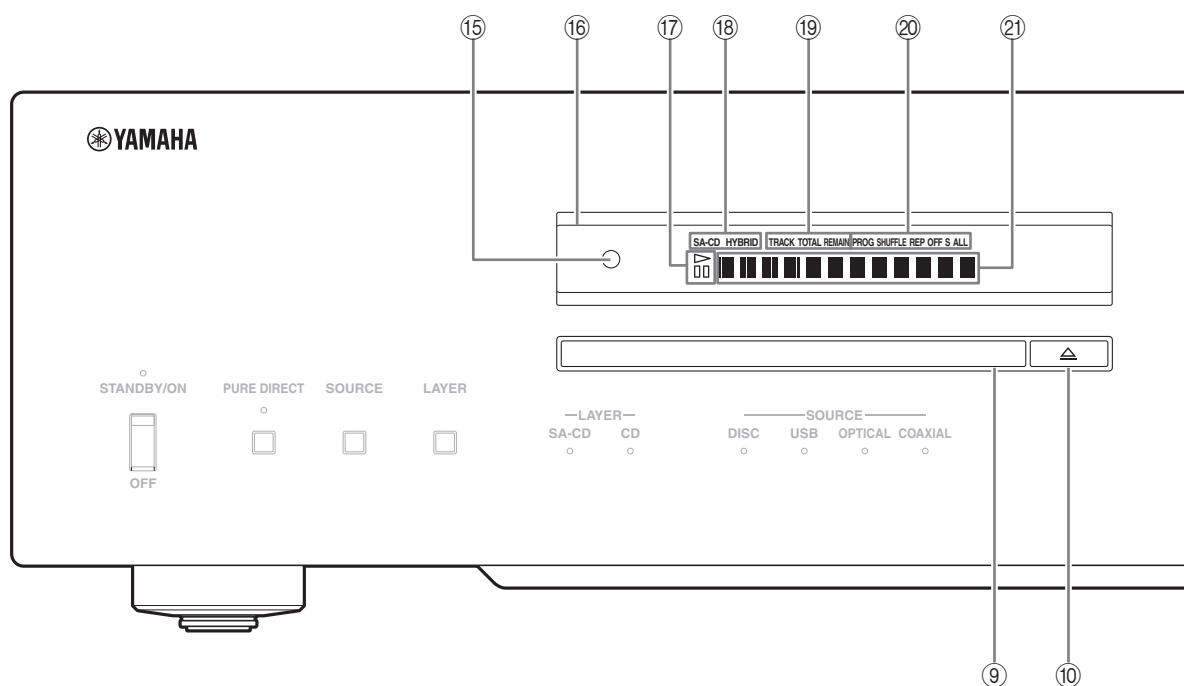
При выборе слоя SA-CD аудиосигналы выводятся только через гнезда BALANCED OUT и ANALOG OUT.

⑧ Индикаторы LAYER

Горит индикатор слоя, выбранного с помощью кнопки LAYER.

Системы управления и функции

■ Фронтальная панель (стр. с 6 по 9)



⑨ Лоток диска

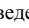
Предназначен для загрузки диска.

⑩ Кнопка (открытие/закрытие)

Открытие и закрытие лотка диска.



Лоток диска также закрывается автоматически:

- при нажатии кнопки  (воспроизведение) на фронтальной панели или пульте ДУ;
- при легком нажатии передней кромки лотка диска;
- при нажатии цифровой кнопки на пульте ДУ.

⑪ Кнопка (пропуск/поиск назад)

Нажмите кнопку один раз для перехода назад к началу текущей дорожки.

Нажмите ее два раза для перехода к началу предыдущей дорожки.

Нажмите и удерживайте ее для поиска назад.

Кнопка (пропуск/поиск вперед)


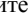
Нажмите кнопку один раз для перехода к следующей дорожке.

Нажмите и удерживайте ее для поиска вперед.

⑫ Кнопка (воспроизведение)

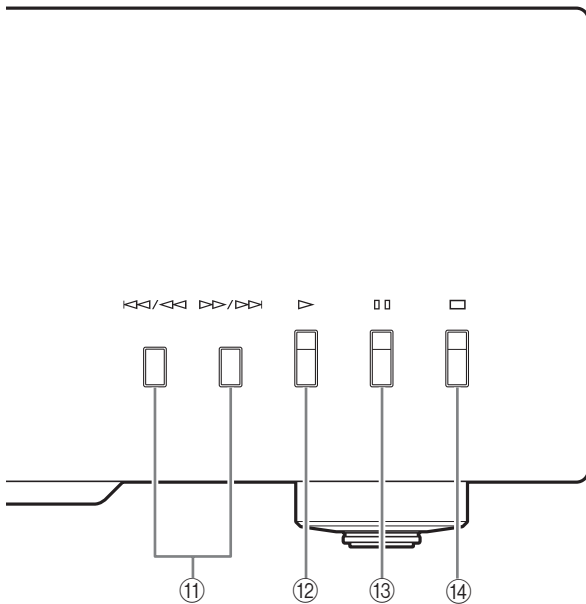
Начало воспроизведения.

⑬ Кнопка (пауза)

Пауза при воспроизведении. Нажмите  или  для возобновления воспроизведения.

⑭ Кнопка (остановка)

Остановка воспроизведения.

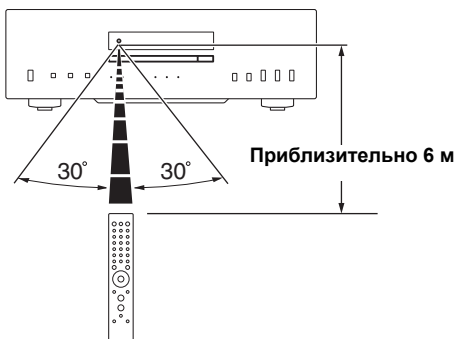


15 Сенсор дистанционного управления

Прием сигналов от пульта ДУ.



Пульт ДУ передает направленный инфракрасный луч. Во время управления обязательно направляйте пульт ДУ прямо на сенсор ДУ на фронтальной панели данного аппарата.



16 Дисплей

Яркость можно настроить с помощью кнопки DIMMER на пульте ДУ (стр. 12).

17 Индикатор > (воспроизведение)/|| (пауза)

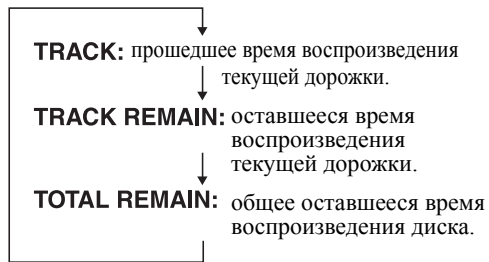
Горит в режиме воспроизведения/паузы.

18 Индикатор типа диска

Указывает тип диска (SA-CD/CD/HYBRID) в лотке диска.

19 Индикатор режима отображения времени

Указывает режим отображения времени дисплея. Изменить режим можно нажатием кнопки DISPLAY на пульте ДУ (стр. 13).



20 Индикатор режима воспроизведения

Указывает текущий режим воспроизведения.

PROG: программное воспроизведение (стр. 14)

SHUFFLE: воспроизведение в случайном порядке (стр. 13)

REP OFF: отключение повторного воспроизведения (стр. 12)

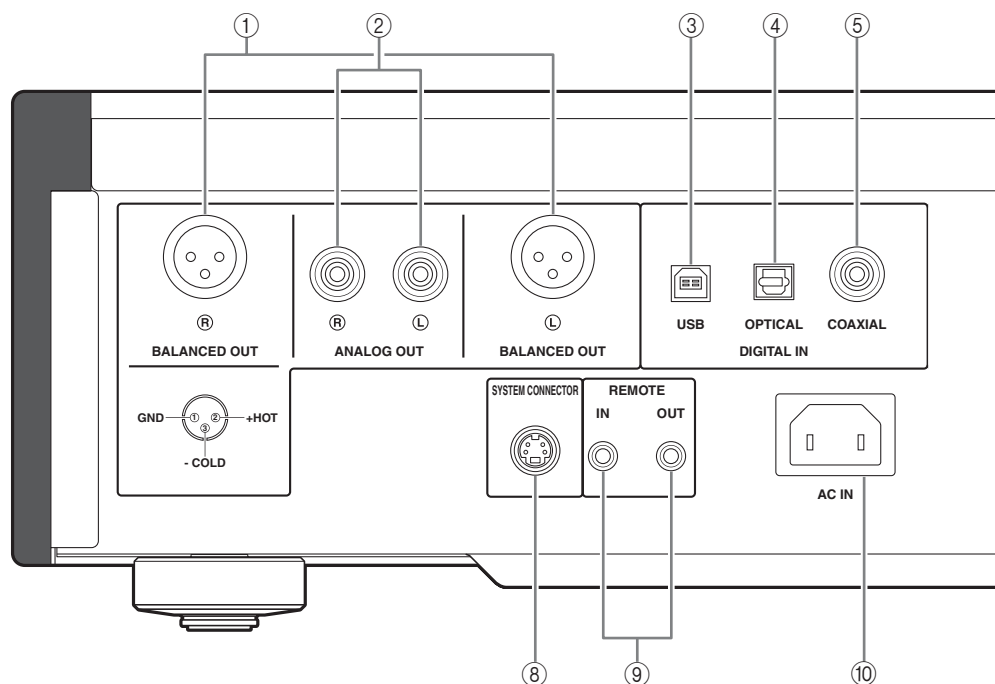
REP S: повторное воспроизведение дорожки (стр. 12)

REP ALL: повторное воспроизведение всех дорожек (стр. 12)

21 Информационный дисплей

Для получения подробной информации о воспроизведении MP3/WMA см. стр. 28.

■ Задняя панель



Для получения подробной информации о соединении см. стр. 18.

- ① Гнезда **BALANCED OUT** (штекерные)
- ② Гнезда **ANALOG OUT**
- ③ Гнездо **DIGITAL IN USB** (тип B)
- ④ Гнездо **DIGITAL IN OPTICAL**
- ⑤ Гнездо **DIGITAL IN COAXIAL**
- ⑥ Гнездо **DIGITAL OUT OPTICAL**
- ⑦ Гнездо **DIGITAL OUT COAXIAL**

Примечание

При воспроизведении слоя Super Audio CD аудиосигналы выводятся только из гнезд **BALANCED OUT** и **ANALOG OUT**.

⑧ **SYSTEM CONNECTOR**

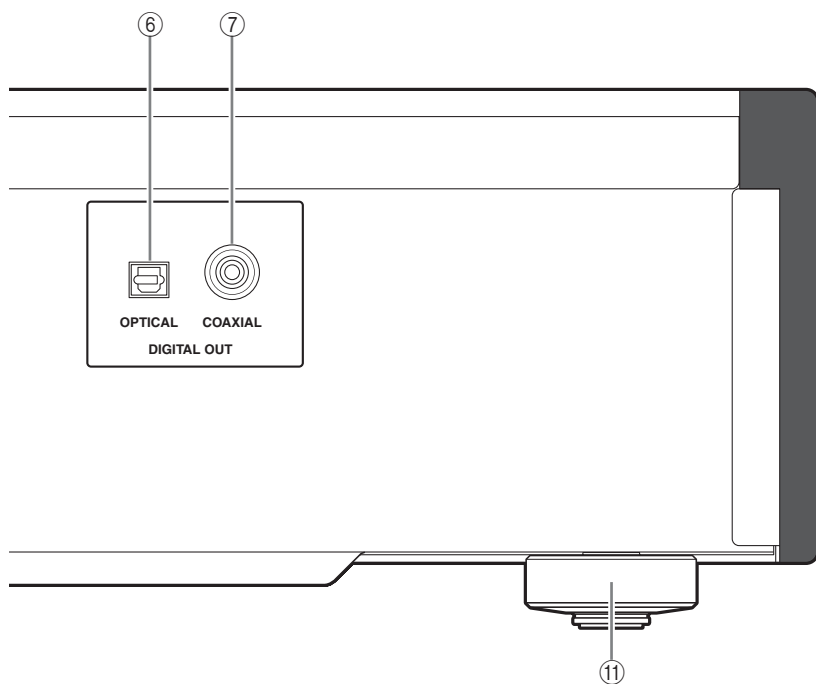
Используйте данный разъем для соединения с испытательным оборудованием для выполнения технического обслуживания.

⑨ **Гнезда REMOTE IN/OUT**

Используйте данные гнезда для соединения с внешним компонентом для дистанционного управления.
Для получения подробной информации о соединении см. стр. 21.

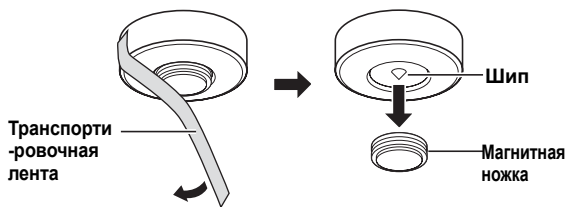
⑩ **Вход AC IN**

Данный вход используется для подключения прилагаемого кабеля питания.
Для получения подробной информации о соединении см. стр. 20.



11 Ножка

Ножки данного аппарата имеют встроенные шипы. При использовании шипов можно уменьшить влияние вибраций на аппарат. При использовании шипов снимите транспортировочную ленту, затем магнитную ножку, потянув за нее.



Предупреждение

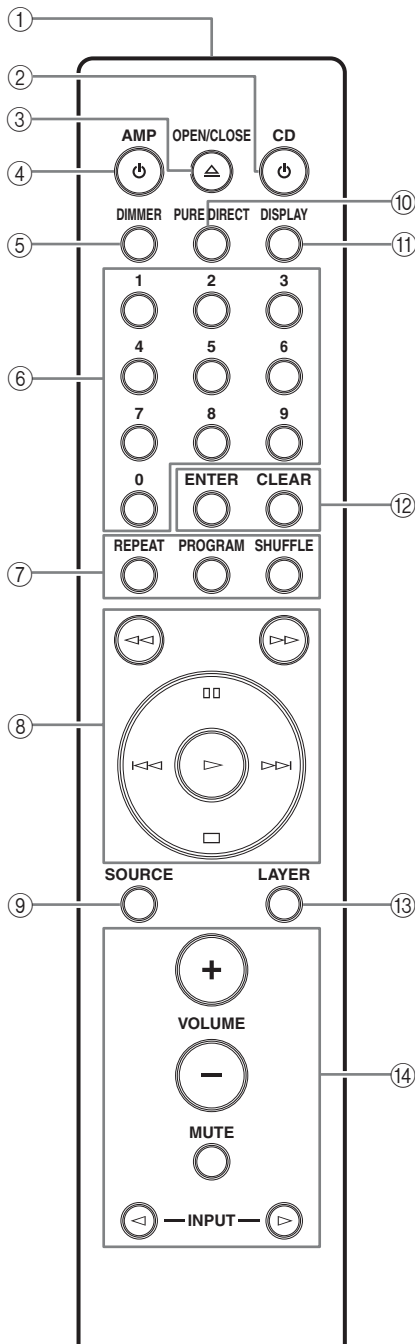
При использовании встроенных шипов ножек они могут поцарапать полку или пол, на котором установлен данный аппарат. При размещении данного аппарата на дорогой мебели и т.д. используйте магнитную ножку или соответствующие опоры.



Если данный аппарат стоит неустойчиво, можно отрегулировать высоту ножки, поворачивая ее.

Системы управления и функции

■ Пульт ДУ



① Передатчик инфракрасного сигнала

Передача инфракрасных сигналов на данный аппарат.

② Кнопка CD

Включает аппарат (ON) или переключает его в режим STANDBY.

Для получения подробной информации о режиме STANDBY см. раздел “Фронтальная панель” (стр. 6).

③ Кнопка OPEN/CLOSE

Открытие и закрытие лотка диска.

④ Кнопка AMP

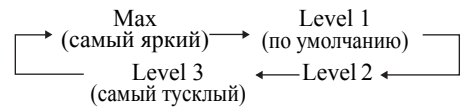
Включает усилитель Yamaha (ON) или переключает его в режим STANDBY.

Примечание

Некоторыми усилителями Yamaha невозможно управлять с помощью кнопки AMP данного пульта ДУ.

⑤ Кнопка DIMMER

Выбор уровня яркости для дисплея фронтальной панели. При каждом нажатии кнопки DIMMER уровень яркости меняется следующим образом.



Данная настройка остается неизменной даже после отключения данного аппарата.

⑥ Цифровые кнопки

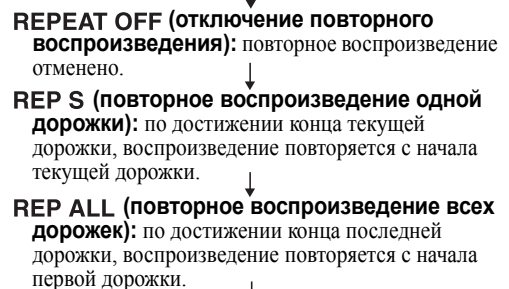
Используются для прямого выбора дорожки.

Примечание

Данная операция недействительна для дисков MP3 или WMA.

⑦ Кнопка REPEAT

Повторное воспроизведение одной дорожки или всех дорожек. При каждом нажатии кнопки REPEAT во время воспроизведения режим повторного воспроизведения меняется следующим образом.



Примечание

Данная операция недействительна для дисков MP3 или WMA.

Кнопка PROGRAM

Включение или отключение режима программного воспроизведения. См. раздел “Программное воспроизведение” (стр. 14).

Кнопка SHUFFLE

Выборочное воспроизведение дорожек на диске (воспроизведение в случайном порядке).

Примечания

- Данная операция недействительна для дисков MP3 или WMA.
- Режим воспроизведения в случайном порядке отменяется при остановке воспроизведения или извлечении диска.

⑧ Кнопка ◀◀ (поиск назад)

Кнопка ▶▶ (поиск вперед)

Поиск дорожек назад/вперед.

Кнопка ⏸ (пауза)

Пауза при воспроизведении. Нажмите ▶ или ⏸ для возобновления воспроизведения.

Кнопка ▶ (воспроизведение)

Начало воспроизведения.

Кнопка ◀◀ (пропуск назад)

Нажмите кнопку один раз для перехода назад к началу текущей дорожки.

Нажмите ее два раза для перехода к началу предыдущей дорожки.

Кнопка ▶▶ (пропуск вперед)

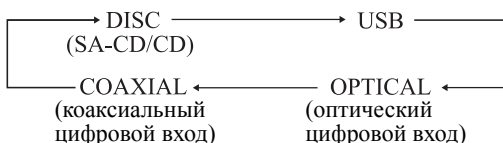
Нажмите кнопку один раз для перехода к следующей дорожке.

Кнопка □ (остановка)

Остановка воспроизведения.

⑨ Кнопка SOURCE

Выбор источника сигнала для воспроизведения. При каждом нажатии данной кнопки изменяется источник сигнала для воспроизведения.



Настройка источника сигнала остается неизменной даже после отключения данного аппарата.

⑩ Кнопка PURE DIRECT

Включение режима PURE DIRECT для улучшения качества звучания.

Если данный аппарат находится в режиме PURE DIRECT:

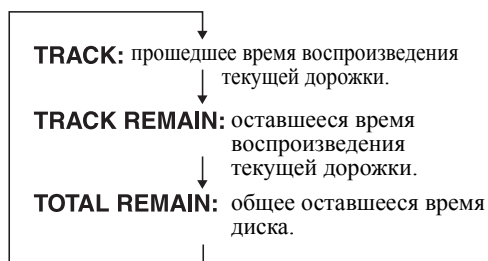
- горит индикатор PURE DIRECT;
- не выводится сигнал из гнезд DIGITAL OUT (OPTICAL и COAXIAL) на задней панели (стр. 10);
- остальные индикаторы и сообщения появляются на дисплее фронтальной панели.



- Снова нажмите данную кнопку для отключения режима PURE DIRECT.
- Данная настройка остается неизменной даже после отключения данного аппарата.

⑪ Кнопка DISPLAY

Переключение режима отображения времени. При каждом нажатии кнопки DISPLAY во время воспроизведения режим отображения времени переключается следующим образом.



⑫ Кнопка ENTER

Подтверждение введенного номера дорожки при программировании дорожек.

Кнопка CLEAR

Удаление последней запрограммированной дорожки, когда данный аппарат находится в режиме редактирования программы. См. раздел “Программное воспроизведение” (стр. 14).



Для удаления всех запрограммированных дорожек нажмите кнопку CLEAR при остановленном программном воспроизведении.

⑬ Кнопка LAYER

Переключение слоя воспроизведения гибридного Super Audio CD между SA-CD и CD при остановленном воспроизведении (стр. 27).



Данная настройка остается неизменной даже после отключения данного аппарата.

Примечание

При выборе слоя SA-CD аудиосигналы выводятся только из гнезд BALANCED OUT и ANALOG OUT.

⑭ Кнопки управления усилителем Yamaha

Управление усилителем Yamaha.

Для получения подробной информации см. инструкцию по эксплуатации усилителя.

Примечание

Некоторыми усилителями Yamaha невозможно управлять с помощью кнопок данного пульта ДУ.

Для получения подробной информации о воспроизведении MP3/WMA см. стр. 28.

Системы управления и функции

■ Программное воспроизведение

В режиме программного воспроизведения можно воспроизводить дорожки в программной последовательности.

Примечания

- Данная операция недействительна для дисков MP3 или WMA.
- Запрограммированные дорожки удаляются в следующих случаях:
 - при извлечении диска;
 - при выключении аппарата или его переходе в режим STANDBY;
 - при выборе аудиосигнала, отличного от диска;
 - при переключении слоя воспроизведения гибридного Super Audio CD между SA-CD и CD.

1 При остановленном воспроизведении нажмите кнопку PROGRAM.

Данный аппарат устанавливается в режим редактирования программы.

2 С помощью цифровых кнопок выберите дорожку и нажмите ENTER.

3 Повторив шаг 2, запрограммируйте следующую дорожку.

Можно запрограммировать до 24 дорожек.

4 Нажмите кнопку ▷ (воспроизведение).

Воспроизведение начинается с начала программной последовательности.

■ Установка диапазона частот DPLL (Цифровая система ФАПЧ)

С помощью DPLL аудиопреобразователь DAC (ES9018) данного устройства генерирует точные тактовые сигналы, синхронизированные с импульсами входного цифрового аудиосигнала. Благодаря 7-ступенчатой настройке диапазона частот DPLL устройство допускает колебание импульсов входного цифрового сигнала и регулирует точность рабочих импульсов преобразователя DAC.

1 Нажмите SOURCE, чтобы выбрать источник аудиосигнала для воспроизведения.

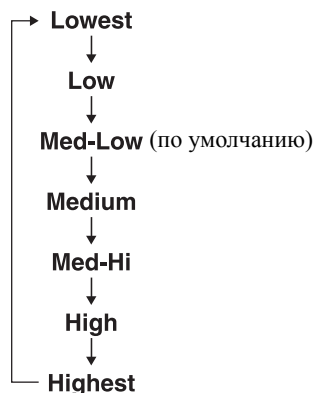
Диапазон частот DPLL можно настроить для каждого источника аудиосигнала соответственно.

2 В течение 5 секунд после выбора источника аудиосигнала нажмите кнопку ENTER.

На устройстве будет включен режим настройки, и на информационном дисплее отобразится заданный в настоящий момент диапазон частот DPLL.

3 Выберите диапазон частот DPLL с помощью кнопок □ □ (пауза) и □ (остановка).

При каждом нажатии кнопки □ □ (пауза) диапазон частот будет изменяться следующим образом. При нажатии кнопки □ (остановка) диапазон частот будет меняться в обратном порядке.



4 Нажмите кнопку ENTER.

Заданное значение будет мигать 3 секунды, а затем устройство вернется в стандартный режим. Для отмены настройки нажмите кнопку CLEAR.

Примечания

- Если для диапазона частот DPLL выбрано значение “Lowest”, точность рабочих импульсов цифро-аналогового преобразователя улучшается, но при этом устройство может более чутко реагировать на изменения импульсов внешнего компонента. Пропуски звука с такого компонента могут происходить чаще.
- Если для диапазона частот DPLL выбрано значение “Highest”, точность рабочих импульсов цифро-аналогового преобразователя ухудшается, но при этом устройство гораздо меньше реагирует на изменения импульсов внешнего компонента и пропуски звука с такого компонента практически не происходят.

■ Настройка функции AUTO POWER STANDBY

Для функции AUTO POWER STANDBY можно установить значение ON или OFF. При установке значения ON, если данный аппарат не используется в течение 30 минут и не обнаруживается аудиосигнал, то он автоматически переходит в режим STANDBY. При установке значения OFF, аппарат не будет автоматически переходить в режим STANDBY.

1 Откройте лоток диска и извлеките загруженный диск из аппарата.

Пропустите шаги с 1 по 3, если на информационном дисплее отображается сообщение “NO DISC”.

2 Закройте лоток диска.

3 Нажмите SOURCE и выберите в качестве источника аудиосигнала DISC.

“NO DISC” отображается на информационном дисплее.

4 Нажмите и удерживайте кнопку □ (остановка) или ▷ (воспроизведение) на передней панели в течение приблизительно 2 секунд для переключения настройки.

Кнопка □ (остановка): для функции AUTO POWER STANDBY устанавливается значение ON, на информационном дисплее отображается “AutoSTBY ON”.

Кнопка ▷ (воспроизведение): для функции AUTO POWER STANDBY устанавливается значение OFF, на информационном дисплее отображается “AutoSTBY OFF”.

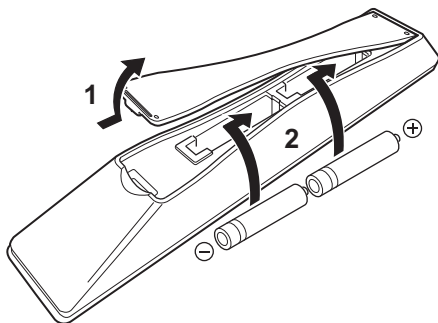
Примечания

- Настройкой по умолчанию для функции AUTO POWER STANDBY является ON.
- Данная настройка остается неизменной даже после отключения данного аппарата.

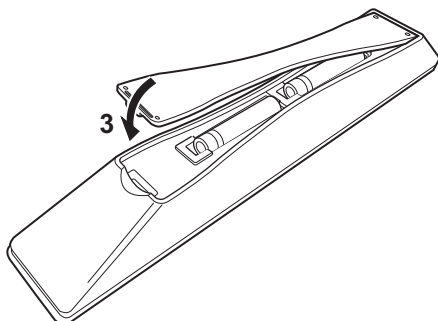
Системы управления и функции

■ Установка батареек в пульт ДУ

- 1 Снимите крышку отделения для батареек.
- 2 Вставьте две батарейки (AAA, R03, UM-4) в соответствии с обозначениями полярности (+ и -) на внутренней стороне отделения для батареек.



- 3 Установите на место крышку отделения для батареек.

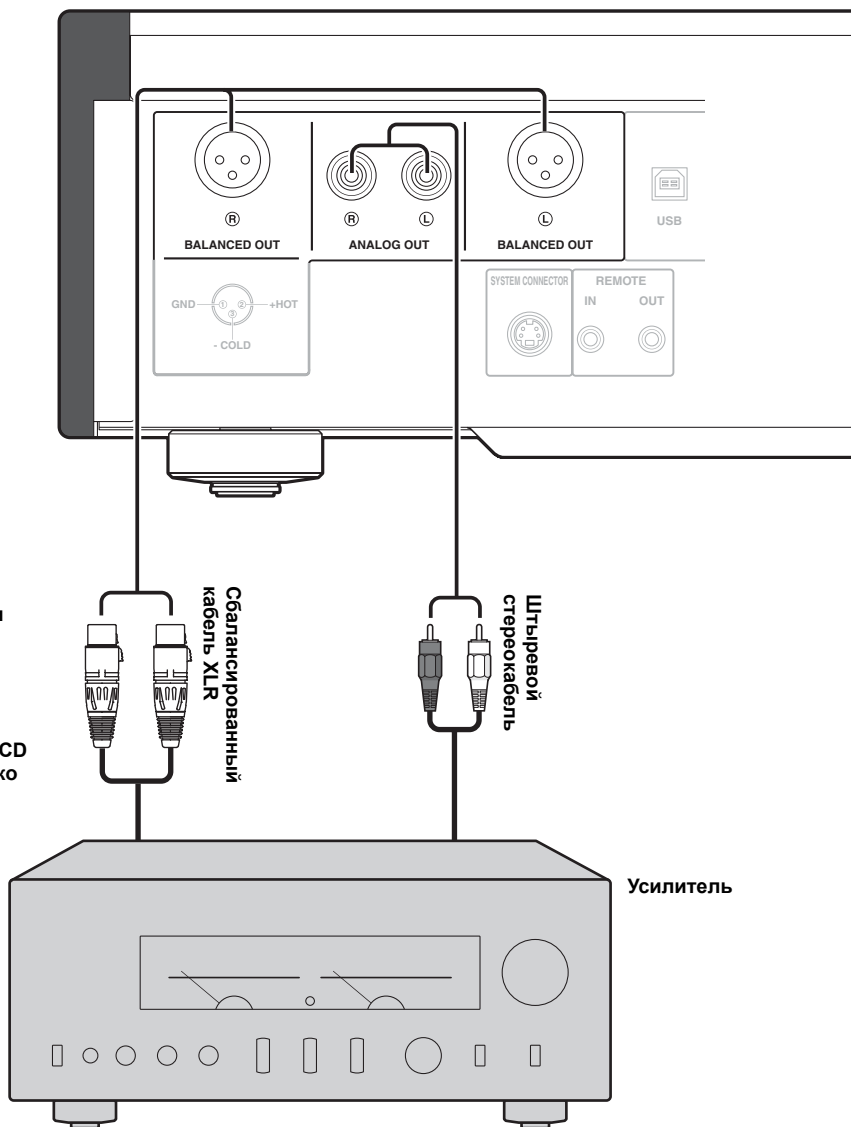


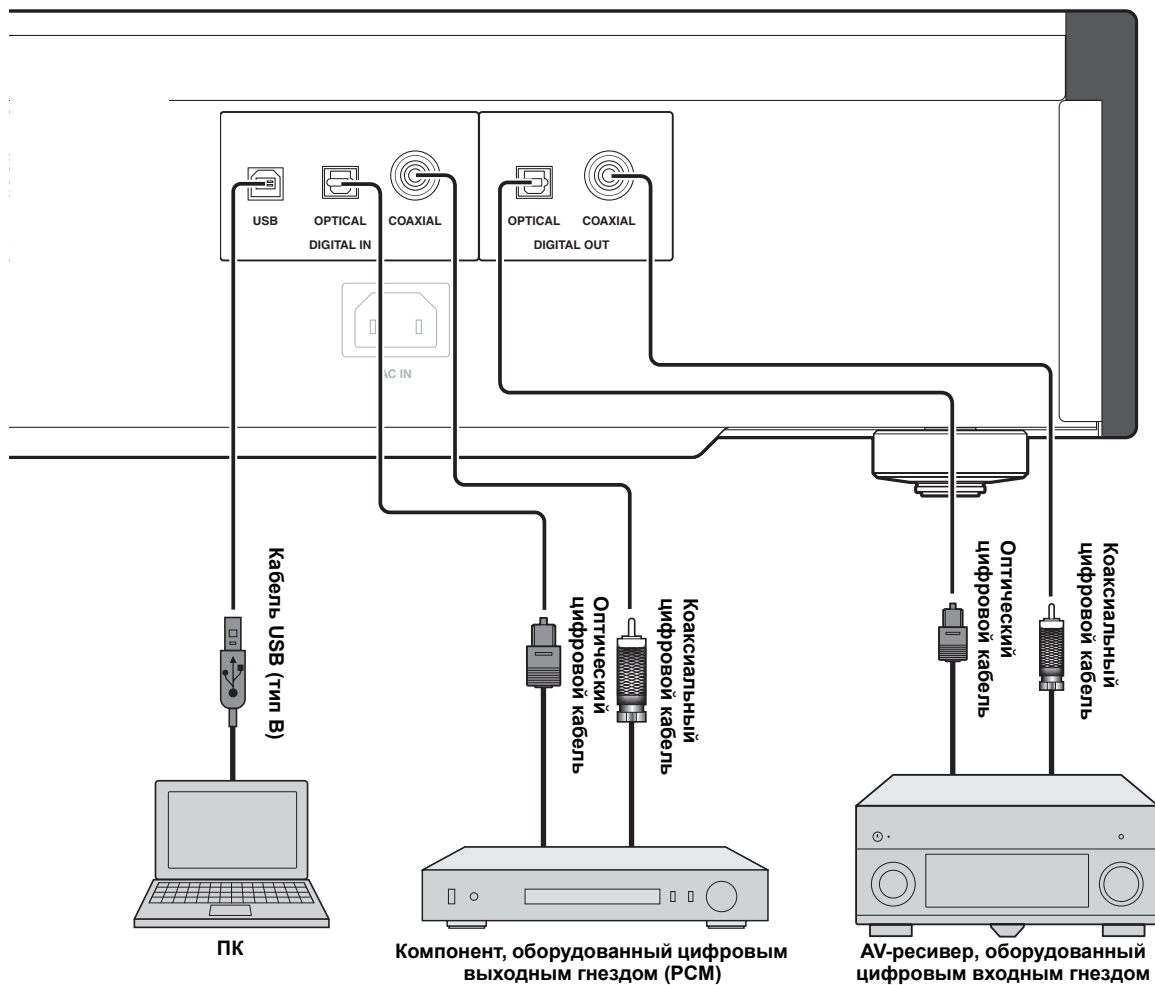


CD-S3000

Соединения

В данном разделе описаны соединения между CD-S3000 и усилителем.





Примечание

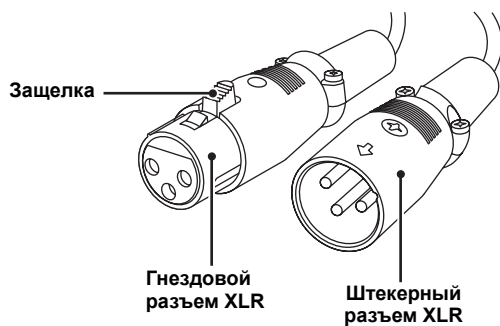
Гнезда DIGITAL IN (OPTICAL/COAXIAL) данного аппарата поддерживают только входные сигналы PCM. Для получения подробной информации о поддерживаемых сигналах PCM см. стр. 26.

■ Подключение к гнездам BALANCED OUT

Подключите усилитель к сбалансированным входным гнездам XLR. Назначение контактов для данных гнезд показано ниже. См. руководство по эксплуатации, прилагаемое к усилителю и убедитесь, что его сбалансированные входные гнезда XLR совместимы с назначением контактов.

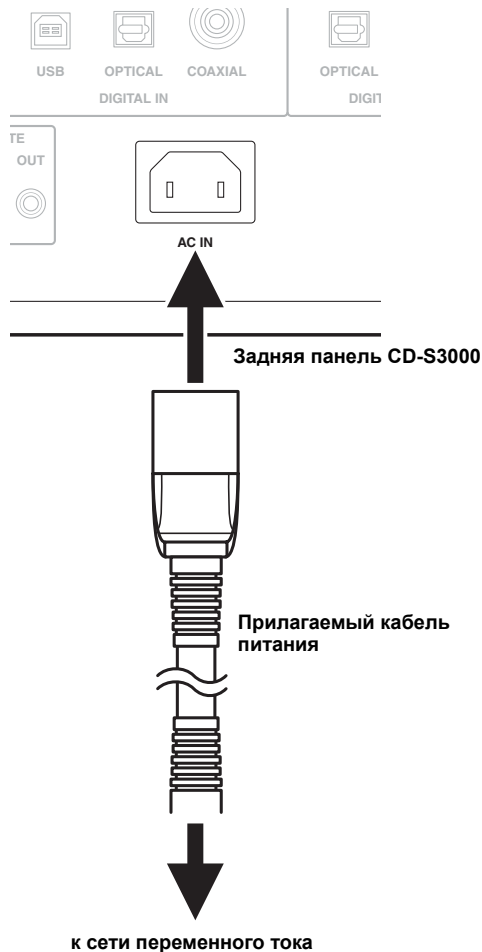


При подключении совместите контакты и вставьте гнездовой разъем сбалансированного кабеля XLR. При отключении потяните за гнездовой разъем сбалансированного кабеля XLR, удерживая нажатой защелку на штекере.



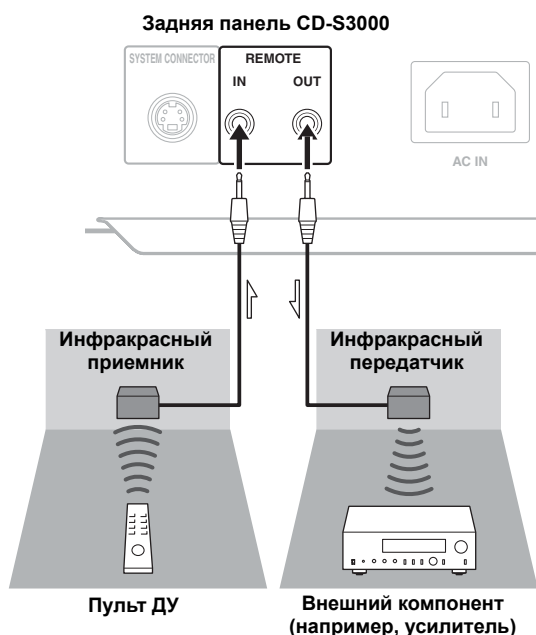
■ Подключение кабеля питания кабеля

По завершении всех соединений подключите кабель питания к входу AC IN, а затем подключите кабель питания к сети переменного тока.



■ Управление аппаратом из другой комнаты

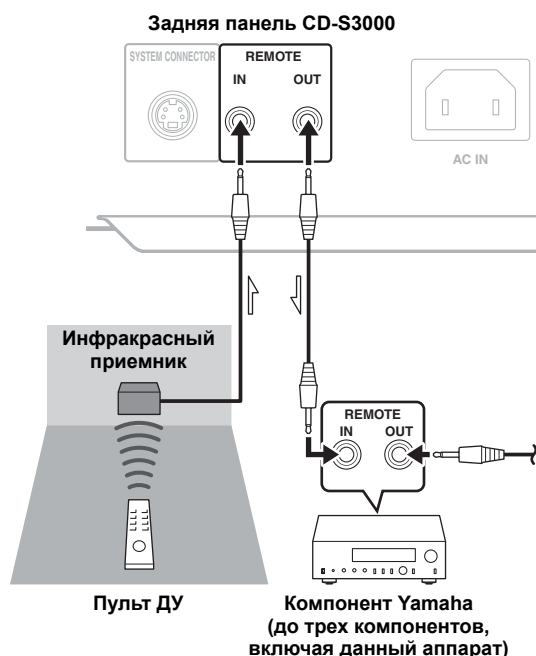
При подключении инфракрасного приемника и передатчика к гнездам REMOTE IN/OUT данного аппарата можно управлять аппаратом и/или внешним компонентом с помощью прилагаемого пульта ДУ, находясь в другой комнате.



■ Удаленное соединение между компонентами Yamaha

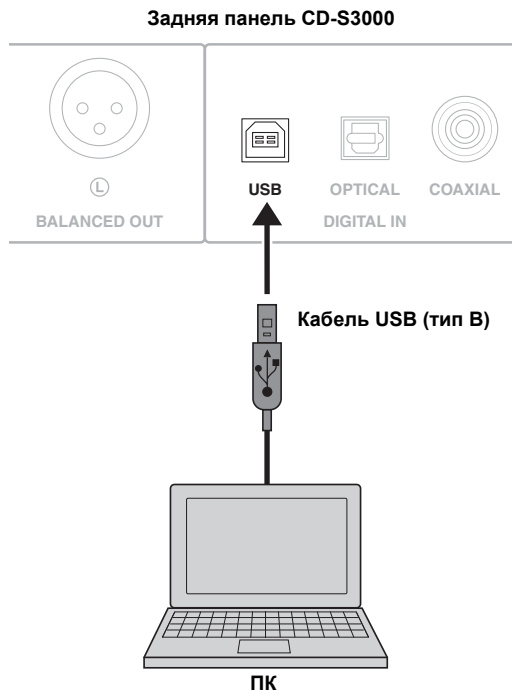
При наличии другого компонента Yamaha, который поддерживает функцию дистанционного соединения, как и данный аппарат, нет необходимости в инфракрасном передатчике. Дистанционные сигналы можно передавать, подключив инфракрасный приемник к гнезду REMOTE IN другого компонента к гнездам REMOTE IN/OUT данного аппарата с помощью кабелей с монофоническими мини-штепселями.

Можно подключить до трех компонентов Yamaha (включая данный аппарат).



Воспроизведение музыкальных файлов, сохраненных на ПК

При подключении ПК к гнезду USB данного аппарата устройство работает в качестве ЦАП USB, позволяя воспроизводить музыкальные файлы, хранящиеся на компьютере, с помощью усилителя, подключенного к аппарату.



■ Поддерживаемая операционная система

Этот аппарат можно подключить с помощью USB-соединения к ПК со следующими операционными системами.

Windows: Windows Vista (SP2, 32-разрядная/64-разрядная)/
Windows 7 (32-разрядная/64-разрядная)/
Windows 8 (32-разрядная/64-разрядная)

Mac: OS X 10.5.8/10.6.8/10.7.x/10.8.x

Примечания

- Работа с другими операционными системами не гарантирована.
- Работа аппарата может быть невозможна также с вышеупомянутыми операционными системами в зависимости от настроек защиты ПК.
- Возможна некорректная работа, если ПК был подключен к аппарату до установки драйвера.

■ Установка соответствующего драйвера

Перед подключением ПК к данному аппарату установите соответствующий драйвер на ПК.

- 1 **Посетите следующий адрес URL, загрузите соответствующий драйвер “Yamaha Steinberg USB Driver”, а затем извлеките и запустите файл.**

Веб-сайт, с которого можно загрузить специальный драйвер
Адрес URL: <http://download.yamaha.com/>

- 2 **Установите загруженный драйвер “Yamaha Steinberg USB Driver” на ПК.**

Для получения подробной информации см. инструкцию по установке, прилагаемую к загруженному драйверу.

- 3 **По завершении установки закройте все запущенные приложения.**

- 4 **В качестве значения аудиовыхода ПК установите “Yamaha CD Player”.**

Для ОС Windows

Панель управления → Звуки и аудиоустройства → вкладка [Воспроизведение]

Для ОС Mac

Системные настройки → Звук → вкладка [Выход]

Настройки могут отличаться в зависимости от операционной системы. Для получения подробной информации обратитесь к производителю ПК.



Передаваемые частоты дискретизации:

44,1 кГц/48 кГц/88,2 кГц/96 кГц/176,4 кГц/192 кГц

Примечания

- Возможна некорректная работа, если ПК был подключен к аппарату до установки драйвера.
- При установке драйвера на компьютер с ОС Windows XP быстродействие компьютера может снизиться. В этом случае перезагрузите компьютер.
- Драйвер “Yamaha Steinberg USB Driver” может изменяться без предварительного уведомления. Для получения подробной информации и последних сведений см. страницу загрузки для драйвера.

■ Воспроизведение музыкальных файлов, сохраненных на ПК

1 Подсоедините ПК к данному аппарату с помощью кабеля USB.

2 Включите ПК.

3 Включите данный аппарат, нажав переключатель **STANDBY/ON/OFF** на передней панели.

4 Выберите “**USB**” с помощью кнопки **SOURCE** данного аппарата.

5 В качестве значения аудиовыхода ПК установите “**Yamaha CD Player**”.

Для ОС Windows

Панель управления → Звуки и аудиоустройства → вкладка [Воспроизведение]

Для ОС Mac

Системные настройки → Звук → вкладка [Выход]

Настройки могут отличаться в зависимости от операционной системы. Для получения подробной информации обратитесь к производителю ПК.

6 Запустите воспроизведение музыкальных файлов на ПК.

При подаче музыкального сигнала с ПК на данный аппарат частота дискретизации воспроизводимого файла отображается на дисплее аппарата.

■ Регулировка громкости звука

Для достижения высокого качества звучания установите самый высокий уровень громкости ПК и постепенно увеличивайте громкость усилителя от самого низкого уровня до нужного.

Примечания

- Не отсоединяйте кабель USB, не выключайте аппарат и не изменяйте источник входного сигнала с помощью кнопки SOURCE при воспроизведении файла на ПК, подключенного с помощью кабеля USB. Выполнение этих действий может стать причиной сбоя.
- Для приглушения звука ПК при воспроизведении музыки измените настройки на ПК.
- Если музыкальные файлы не удается воспроизвести корректно, перезагрузите компьютер и выполните вышеупомянутую процедуру снова.
- Музыкальными файлами, сохраненными на ПК, невозможно управлять с помощью данного аппарата или его пульта ДУ. Работайте с ними на ПК.

CD-S3000

Технические характеристики

В данном разделе приведены технические характеристики для CD-S3000.



Технические характеристики

АУДИОРАЗДЕЛ

- Частотная характеристика (1 кГц, 0 дБ)
 - SA-CD 2 Гц - 50 кГц (-3 дБ)
 - CD 2 Гц до 20кГц
- Диапазон воспроизводимых частот 2 Гц до 96 кГц
- Нелинейное искажение (1 кГц, 0 дБ)
 - SA-CD 0,002 % или меньше
 - CD 0,002 % или меньше
- Соотношение сигнал/шум (сеть ИНФ-А) (1 кГц, 0 дБ)
 - SA-CD/CD 116 дБ или более
- Динамический диапазон (1 кГц, 0 дБ)
 - SA-CD 110 дБ или более
 - CD 100 дБ или более
- Уровень выхода (1 кГц, 0 дБ)
 - SA-CD/CD 2,0 ± 0,3 В

ХАРАКТЕРИСТИКИ ЛАЗЕРНОГО ДИОДА

- Длина волны
 - SA-CD 655 нм
 - CD 790 нм
- Выходная мощность
 - SA-CD 1,89 мВт (макс.)
 - CD 1,36 мВт (макс.)

РАЗДЕЛ ВХОДА/ВЫХОДА

- Цифровой вход (DIGITAL IN)
 - USB (тип В) × 1 поддержка USB 2.0
 - OPTICAL × 1
 - COAXIAL × 1
 - Поддерживаемая частота стробирования аудиосигнала 44,1/48/88,2/96/176,4/192 кГц
 - Глубина кодирования 16 бит/24 бит
- Цифровой выход (DIGITAL OUT)
 - OPTICAL × 1
 - COAXIAL × 1
 - Поддерживаемая частота стробирования аудиосигнала 44,1/48/88,2/96/176,4/192 кГц
 - Глубина кодирования 16 бит/24 бит
- Аудиовыход
 - ANALOG OUT несбалансированный × 2 канала (L/R)
 - BALANCED OUT сбалансированный × 2 канала (L/R)
- Удаленный вход/выход
 - REMOTE IN
 - REMOTE OUT
- Системный соединитель
 - SYSTEM CONNECTOR

ОБЩИЙ РАЗДЕЛ

- Питание
 - [Модели для Китая, Кореи, Азии, Австралии, Великобритании и Европы] 220 – 240 В переменного тока, 50/60 Гц
 - [Модели для США, Канады и Тайваня] 110 – 120 В переменного тока, 50/60 Гц
 - Энергопотребление 30 Вт
 - Энергопотребление в режиме ожидания (справочные данные) 0,3 Вт
 - Габариты (Ш × В × Г) 435 × 142 × 440 мм
 - Вес 19,2 кг
- * Технические характеристики могут изменяться без уведомления.

Уход за данным аппаратом

Полировка поверхности боковых панелей

Рекомендуется пользоваться тканью Yamaha Unison (продается отдельно). Для сложных загрязнений используйте полироль Yamaha Piano Unison (продается отдельно). Для приобретения обратитесь к ближайшему авторизованному дилеру Yamaha или в сервисный центр.

Полировка прочих поверхностей

При протирании данного аппарата не используйте химические растворители (спирт или разбавитель и т.д.); которые могут повредить отделку. Используйте чистую сухую ткань. При сильном загрязнении смочите мягкую ткань в моющем растворе, разбавленном водой, выжмите ее, затем начисто протрите данный аппарат тканью.

Формат воспроизводимого диска

■ Поддерживаемые типы дисков

Данный аппарат предназначен для воспроизведения компакт-дисков со следующими обозначениями. Ни в коем случае не пытайтесь загрузить любые другие типы дисков в данный аппарат. Данный аппарат также может воспроизводить компакт-диски диаметром 8 см.

Super Audio CD



SUPER AUDIO CD

Аудиоформат основан на текущих стандартах CD, но содержит большее количество информации, обеспечивающей более высококачественное звучание. Существует три типа дисков: однослойные, двуслойные и гибридные диски. Гибридный диск может воспроизводиться на существующих CD-проигрывателях, а также на Super Audio CD-проигрывателях, так как он содержит информацию стандартного аудиодиска CD и диска Super Audio CD.

Примечание

Данный аппарат не отображает текстовую информацию на дисплее фронтальной панели.



Компакт-диски (цифровое аудио)



Наиболее популярные диски для продающихся аудиодисков CD.

Цифровые аудиодиски CD-R, CD-RW



Музыкальные CD, выполненные путем копирования на CD-R или CD-RW (включая файлы формата MP3 или WMA).

Примечания

- Используйте диск CD-R или CD-RW надежного производителя.
- Используйте диск CD-R или CD-RW, содержащий хотя бы одну из следующих фраз на диске или футляре диска.
 - FOR CONSUMER
 - FOR CONSUMER USE
 - FOR MUSIC USE ONLY
- Используйте завершенный диск CD-R или CD-RW.

Диски CD-TEXT



Диски, записанные с текстовой информацией, такой как, названия альбомов, названия дорожек, и имена исполнителей. Данные диски могут воспроизводиться на обычных CD-проигрывателях.

Примечание

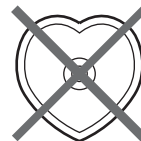
Данный аппарат не отображает текстовую информацию на дисплее фронтальной панели.

ПРИМЕЧАНИЕ:

Данный аппарат может не воспроизводить некоторые диски CD-RW или диски, запись на которых была выполнена неправильно.

Во избежание сбоев на данном аппарате:

- Не используйте никакие диски нестандартной формы (в виде сердца и т.д.), имеющиеся в продаже, так как они могут привести к поломке данного аппарата.
- Не используйте диски с клейкой лентой, наклейками или остатками клея. Такие диски могут застрять внутри данного аппарата или могут привести к поломке данного аппарата.



Формат воспроизводимого диска

■ О дисках MP3 и WMA

Можно воспроизвести файлы MP3 и WMA, записанные на дисках CD-R или CD-RW таким же образом, как и музыкальный CD.

MP3

MP3 (MPEG-1 Audio Layer-3) означает технологию и формат сжатия аудиоряда в файлы небольшого размера. Однако исходный уровень качества звучания сохраняется во время воспроизведения.

Примечания

- Данный аппарат воспроизводит файлы MP3 в буквенно-цифровом порядке.
- Аппарат может распознать до 648 папок и файлов (в целом) и до 299 папок; однако в зависимости от структуры папок некоторые папки и файлы могут не распознаваться.
- В зависимости от условий записи, например, установок записывающего программного обеспечения, данный аппарат может не воспроизводить диск или файлы в порядке их записи.
- Данный аппарат совместим с частотой дискретизации 44,1 кГц.
- Данный аппарат совместим с битовой скоростью передачи данных 32, 40, 48, 56, 64, 80, 96, 112, 128, 160, 192, 224, 256, или 320 кбит/с. Переменная битовая скорость передачи данных не поддерживается.
- Диск должен соответствовать стандарту ISO9660.
- Текстовая информация, содержащаяся в файлах, не отображается на данном аппарате.

WMA

WMA (Windows Media Audio) - это файловый формат Microsoft для кодирования цифровых аудиофайлов подобных MP3, хотя в формате WMA файлы могут быть сжаты в более высокой степени, чем в формате MP3.

Примечания

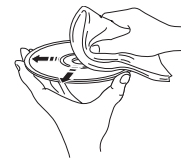
- Данный аппарат воспроизводит файлы WMA в буквенно-цифровом порядке.
- Аппарат может распознать до 648 папок и файлов (в целом) и до 299 папок; однако в зависимости от структуры папок некоторые папки и файлы могут не распознаваться.
- Данный аппарат совместим с частотой дискретизации 44,1 кГц.
- Данный аппарат совместим с битовой скоростью передачи данных 48, 64, 80, 96, 128, 160, или 192 кбит/с. Переменная битовая скорость передачи данных не поддерживается.
- Диск должен соответствовать стандарту ISO9660.
- Данный аппарат не воспроизводит файлы WMA с защитой от копирования.
- Текстовая информация, содержащаяся в файлах, не отображается на данном аппарате.

■ Обращение с компакт-дисками

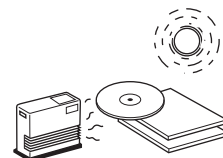
- Всегда обращайтесь с диском осторожно, чтобы не поцарапать его поверхность.



- Компакт-диски редко изнашиваются от воспроизведения, но при если повредить поверхность диска при обращении с ним, это может негативно сказаться на воспроизведении диска.
- При записи на этикеточной стороне диска используйте фломастер или подобное пишущее приспособление. Не используйте шариковую ручку, карандаш или другие пишущие приспособления с твердым наконечником, так как это может повредить диск и негативно сказаться на воспроизведении диска.
- Не сгибайте диски.
- Если диск не используется в данный момент, извлеките его из данного аппарата и храните в соответствующем футляре.
- При извлечении или хранении диска соблюдайте осторожность, чтобы не поцарапать поверхность воспроизводящей стороны.
- Мелкие частицы пыли или отпечатки пальцев на поверхности воспроизводящей стороны не влияют на компакт-диски, но даже в этом случае они должны оставаться чистыми. Протрите поверхность диска чистой сухой тканью. Не протирайте поверхность диска круговым движением; протирайте прямо от центра к краям.



- Не пытайтесь очистить поверхность диска с помощью любых типов очистителей дисков, аэрозолей для записей, антистатических аэрозолей или жидкостей или любых других жидкостей на химической основе, так как такие вещества могут безвозвратно повредить поверхность диска.
- Не подвергайте диски воздействию прямых солнечных лучей, высокой температуры или повышенной влажности на продолжительный срок, так как такие условия могут привести к искривлению диска или причинить другой ущерб.



- Для воспроизведения компакт-диска диаметром 8 см установите его во внутренний углубленный участок лотка диска. Не вставляйте обычный диск CD диаметром 12 см поверх диска CD диаметром 8 см.

Возможные неисправности и способы их устранения

Если данный аппарат работает неправильно, см. таблицу ниже. Если неисправность не указана в таблице или вы не смогли исправить ошибку, следуя инструкциям таблицы, отключите данный аппарат, отсоедините кабель питания и обратитесь к ближайшему авторизованному дилеру Yamaha или в сервис-центр.

Неисправность	Причина	Способ устранения	См. стр.
Аппарат не включается при нажатии STANDBY/ ON/OFF вверх.	Кабель питания не подключен или подключен ненадежно.	Надежно подключите кабель питания.	20
Аппарат автоматически перейдет в режим STANDBY.	Включена функция автоматического перехода в режим ожидания.	Если данный аппарат не используется в течение 30 минут и не обнаруживается аудиосигнал, то он автоматически переходит в режим STANDBY.	6
Лоток диска закрыт не полностью.	Посторонний предмет застопорил лоток диска.	Внимательно изучите лоток диска и извлеките посторонние предметы.	—
Воспроизведение не начинается.	Диск поврежден.	Внимательно осмотрите диск; замените его при необходимости.	—
	На лазерном окошке образовалась конденсация.	Подождите примерно 20 – 30 минут после включения аппарата и затем попытайтесь воспроизвести диск.	—
	Диск установлен верхней стороной вниз.	Переустановите диск этикеточной стороной вверх.	—
	Диск загрязнен.	Очистите диск.	28
	Данный аппарат не поддерживает форматы MP3 или WMA.	Замените диск на правильно записанный диск, воспроизводимый на данном аппарате.	28
	Диск CD-RW (перезаписываемый) неправильно записан.	Замените диск на правильно записанный диск, воспроизводимый на данном аппарате.	27
	Диск является нестандартным и не воспроизводится на данном аппарате.	Замените диск на правильно записанный диск, воспроизводимый на данном аппарате.	27
Воспроизведение задерживается или начинается не с того места.	Диск может быть поцарапан или поврежден.	Внимательно осмотрите диск; замените его при необходимости.	28
Отсутствует звучание.	Неправильные соединения выходных кабелей.	Надежно подключите кабели. Если неисправность все еще остается, кабели могут быть дефектными.	18
	Усилитель работает неправильно.	Установите усилитель на правильный источник.	—
От компонента, подключенного к цифровому входному гнезду, не поступает звук.	Аппарат находится в режиме PURE DIRECT.	Выключите режим PURE DIRECT.	7
	Воспроизводится слой Super Audio CD.	Смените слой для воспроизведения.	7
Звук пропадает.	Данный аппарат подвергся влиянию вибраций или толчков.	Переместите данный аппарат.	—
	Диск загрязнен.	Очистите диск.	28
	Наблюдается колебание импульса аудиосигнала для воспроизведения.	Измените диапазон частот DPLL аудиосигнала преобразователя DAC (ES9018).	14

Возможные неисправности и способы их устранения

Неисправность	Причина	Способ устранения	См. стр.
Гудящий звук.	Неправильное подключение кабелей.	Надежно подключите аудиокабели. Если неисправность все еще остается, кабели могут быть дефектными.	18
Шум от близко расположенного тюнера.	Тюнер расположен слишком близко от данного аппарата.	Отодвиньте тюнер и данный аппарат друг от друга.	—
Шум из лотка диска.	Диск может быть искривлен.	Замените диск.	28
Отсутствует звук от компонента, подключенного к гнезду DIGITAL IN (OPTICAL или COAXIAL).	В качестве настройки источника выходного аудиосигнала на подключенном компоненте не выбрано "PCM".	Через гнезда DIGITAL IN (OPTICAL/ COAXIAL) данного аппарата можно воспроизводить только источники PCM. Для источника выходного аудиосигнала на подключенном компоненте установите значение "PCM".	—
Пульт ДУ не работает.	Очень слабые батарейки пульта ДУ.	Замените батарейки на новые.	16
	Пульт ДУ находится очень далеко или слишком наклонен.	Используйте в пределах 6 м и при радиусе 60°.	9
	На сенсор ДУ данного аппарата попадают прямые солнечные лучи или свет (от флуоресцентной лампы вилокобразного типа и т.д.).	Измените месторасположение данного аппарата.	9

■ При USB-соединении

Неисправность	Причина	Способ устранения	См. стр.
Подключенный ПК не распознает данный аппарат.	ОС ПК не поддерживается.	Используйте ПК с совместимой ОС.	22
	Неправильное подключение кабелей USB.	Надежно подключите кабели USB.	19, 22
	Выход ПК или приложения приглушен.	Отменить приглушение звука ПК или приложения.	—
Воспроизведение с помехами.	Другое приложение запущено на ПК во время воспроизведения музыкального файла.	Если другое приложение запущено во время воспроизведения музыкального файла, может пропадать звук или появляться шум. Не запускайте другие приложения во время воспроизведения.	—
Не удается воспроизвести музыкальные файлы.	Музыкальные данные не воспроизводятся должным образом, так как данный аппарат подключен к ПК или вход данного аппарата переключен в режим "USB" во время работы музыкального приложения на ПК.	Заранее подключите данный аппарат к ПК и установите режим "USB" для входа аппарата. Затем запустите музыкальное приложение и начните воспроизведение.	23
	Неправильно установлен специальный драйвер "Yamaha Steinberg USB Driver".	Установите драйвер "Yamaha Steinberg USB Driver" снова, следуя правильной процедуре.	22

■ Сообщения на информационном дисплее

Сообщение	Состояние
NO DISC	В лоток диска не вставлен диск.
Check Cable	Неправильно установлен специальный драйвер “Yamaha Steinberg USB Driver”. Или для аудиовыхода ПК не установлено значение “Yamaha CD Player.”
Check PC	Не удастся распознать аудиосигнал компьютера.
Fs: ----kHz	Аудиосигнал не распознан.

