

Table of Contents

INTRODUCTION	
About this Device	6
About this Operation Manual	7
INSTRUCTIONS	
Meanings of Warning Symbols and Words	10
Safety Instructions	11
UNPACKING AND CONNECTION	
Operating Conditions	14
Unpacking the Record Player	15
Installation and Setup	16
Connecting the Device	22
OVERVIEW OF THE 217	25
OPERATING THE RECORD PLAYER	31
Adjusting the Tone Arm	36
MAINTENANCE, REPAIR AND CARE	39
TECHNICAL SPECIFICATIONS	41

Burmester

217



POWER



ON

STBY

OFF

Introduction



Congratulations on your purchase and thank you for choosing Burmester.

Dear music lover,

Congratulations on your purchase and thank you for choosing Burmester.

You have chosen a product that combines absolute fidelity and uncompromising quality with technical innovation and maximum versatility.

Before using the device for the first time, we recommend that you read through the entire manual at least once so that you can make full use of the capabilities of this exceptional audio device. Should you still have questions, please speak to your dealer or contact us directly. We're always happy to discuss any special requests you may have, no matter how unusual. We love a good technical challenge.

We wish you an exceptional listening experience.

The Burmester Team

About this Device

The 217 is the new record player for Burmester's popular Top Line. Inspired by the Burmester Reference Line's multi-award-winning 175, the 217 also largely eschews technological aids in favour of top playback quality, and is easy and intuitive to operate. During the development and production of the device, Burmester called upon its more than 35 years of experience in building equipment with top-level phono signals, capitalising on this expertise to offer a wider range of products in this field.

THE HIGHLIGHTS:

BELT DRIVE FOR LOW-RESONANCE

The 217 is equipped with two belt drive motors, which enable near-perfect turntable running due to their high-precision bearings, belts and controls.

In combination with the massive, low-resonance unibody housing made of solid aluminium, this enables exceptionally precise and exquisite playback of vinyl records.

HIGH-QUALITY MATERIALS FOR OPTIMUM SOUND PICKUP

Burmester's 217 record player builds on its big brother, the 175. On the straight tone arm tube, which is made of a unidirectional carbon fibre compound (fibre-reinforced composite) sits a precisely milled and offset aluminium headshell. The length between the fulcrum and the tip of the stylus tip is 239.1 mm – resulting in just over 9 inches of tone arm. The tone arm is gimbal-mounted. Each 217 comes with a slipmat made of composite leather.

About this Operation Manual

This operation manual describes to the user how to operate the 217 record player.

Certain steps in this operation manual may only be performed by skilled persons.

The work steps in question are presented in this manual with a blue background and marked with the following notice:

 **ARRANGE FOR A SKILLED PERSON TO CARRY OUT THIS STEP!**

Please speak to your dealer if you need help installing and setting up your 217.

STORAGE:

→ Please read this operation manual in full and keep it in a safe place.



Instructions

Meanings of Warning Symbols and Words

The following warnings, symbols and warning words are used in this document:



The general hazard symbol, in conjunction with the warning words **CAUTION**, **WARNING** or **DANGER** warns of the risk of serious injury. Follow all of the subsequent instructions to avoid injury or death.



The lightning symbol, in conjunction with the warning word **DANGER**, warns of potentially fatal electrical voltage.

ATTENTION:

indicates a hazard that could damage or destroy the device.



CAUTION:

indicates a hazard that poses a low or moderate risk of injury.



WARNING:

indicates a hazard that could cause serious injury or death.



DANGER:

indicates a hazard that will lead directly to death or serious injury.

Safety Instructions

Read and follow the instructions in this manual, particularly the warnings and safety instructions.



CAUTION: RISK OF INJURY TO CHILDREN

This device poses various injury risks if used improperly. Never leave your children unattended with the device. This device is not intended for use by children.



DANGER! DANGEROUS VOLTAGES

To fully disconnect the device from the mains, you have to unplug the mains plug.

ATTENTION! OPERATION DURING THUNDERSTORMS

During thunderstorms and when there is a risk of lightning, disconnect the device from the power supply. It is not sufficient to switch off the mains switch on the back of the device.

→ Unplug the power cable from the device or the mains socket. To be safe, also unplug all connected components from the power supply.



DANGER! OPENING THE DEVICE

There are no parts inside the device that can be serviced by the user.

→ Do not open the device. When the power cable is connected, the components inside the housing conduct potentially fatal voltages.

ATTENTION! REPLACING FAULTY FUSES

If you cannot switch on the device even though the mains voltage is connected, this might be due to a faulty fuse. This can have various causes. Have the device checked by your dealer. Only authorised personnel are permitted to change the fuses.



Unpacking and Connection

Operating Conditions

INTENDED USE

This device is intended for use in home audio systems.

PERMISSIBLE OPERATING CONDITIONS

Please take care to only ever use your Burmester device under the following conditions:

Maximum altitude	2000 m
Humidity	< 50%
Temperature range:	20-30° C

Unpacking the Record Player

 **ARRANGE FOR A SKILLED PERSON TO CARRY OUT THIS STEP!**

SCOPE OF DELIVERY

The following is included in the scope of delivery:

1	Box containing your 217 record player
1	Turntable (packed separately)
1	Burmester Top Line power cable, 2 m
1	Tone arm (pre-fitted)
1	Burmester MC pickup (pre-installed)
1	XLR tone arm cable, 1.5 m
1	Burmester slipmat
1	Operation manual
1	Set of warranty documents
1	Care kit

PLEASE CHECK THE SCOPE OF DELIVERY FOR COMPLETENESS AND DAMAGE.

→ If parts of the scope of delivery are missing or if you notice any damage when unpacking the record player, please do not connect it. Consult an authorised dealer instead.

WE RECOMMEND KEEPING THE ORIGINAL PACKAGING IN CASE YOU NEED TO TRANSPORT THE DEVICE AGAIN AT A LATER DATE.

→ Always arrange for a skilled person to dismantle and package the device.



CAUTION: WHEN UNPACKING THE DEVICE

The device is very heavy and can cause serious injury if it tips over or falls. To avoid damaging the housing, do not use any pointed or sharp objects to open the packaging.



WARNING: SUFFOCATION HAZARD

Your Burmester device is shipped in plastic bags to protect the surfaces.

→ Keep these bags out of reach of children in order to prevent suffocation.

Installation and Setup

 **ARRANGE FOR A SKILLED PERSON TO CARRY OUT THIS STEP!**

1. Remove all the items from the packaging.



CAUTION: RISK OF INJURY DUE TO HEAVY WEIGHT

The device is very heavy and can cause injury if it falls.

→ The device and its components should only be unpacked and set up by persons who are experienced in handling heavy loads.

2. Take care when unpacking the device.
3. Remove all the packaging materials and padding from the device.
4. Place the device in a suitable location.

ATTENTION: DANGER DUE TO IMPROPER INSTALLATION

Consider the following points when choosing where to position the device:

- Only place the device on level and load-bearing surfaces.
- Never use the device outdoors.
- Avoid exposure to direct sunlight as well as excessive heat, cold, moisture and dust.
- Ensure adequate ventilation. Never place the device on an enclosed shelf.
- Do not cover the slots or openings on the device. These are important for ventilation.
- Do not expose the device to dripping or splashing water, and do not place containers of liquid on the device.
- Never place open fire sources, such as lit candles, on the device.

ADJUSTING THE FEET

In order to work properly, the 217 record player must be completely horizontal. The three feet on the 217 are height-adjustable. To adjust them, simply turn them by hand.

→ Once the record player is in position, turn its feet by hand until it is completely horizontal.

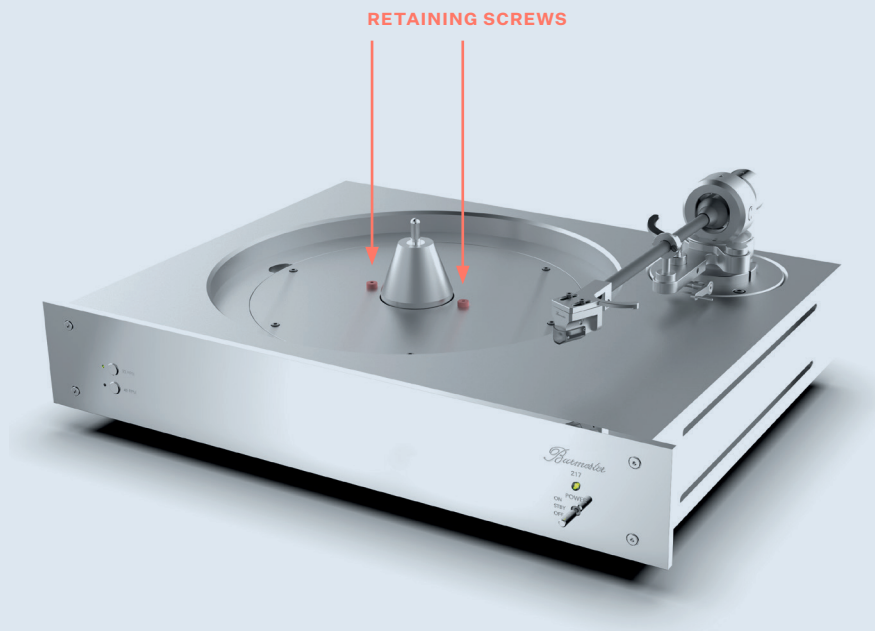
REMOVING THE TRANSPORT SAFETY EQUIPMENT FOR THE DRIVE

The 217 is supplied with the belts and pulley pre-fitted. In order to protect the bearing, the pulley is secured using two retaining screws during transport.

Remove the retaining screws before placing the turntable on the device.

NOTE:

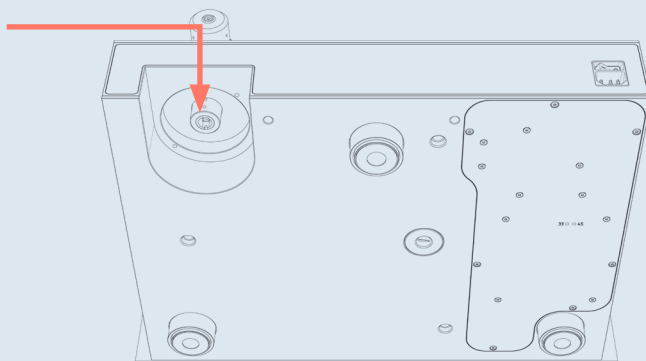
Keep the retaining screws in a safe place in case you need to transport the device again in the future.



CONNECTING THE TONE ARM CABLE

Carefully plug the angled plug on the enclosed tone arm cable into the socket (9) just under the tone arm.

Make sure the angled end of the plug is pointing backwards.



NOTE:

The two openings marked 33 and 45 on the base of the record player are for servicing purposes only.



M.C. D 502 HYBRID



INSTALLING THE TURNTABLE

1. Unpack the turntable (2).

**ATTENTION! DANGER DUE TO HEAVY PARTS**

The turntable is very heavy and can cause injury if it falls.

2. Carefully position the turntable on the drive axle as shown in the illustration opposite.

**ATTENTION! RISK OF CRUSHING**

When positioning the turntable, take care not to leave your fingers between the turntable (2) and the base.

**ATTENTION! DANGER DUE TO FALLING PARTS!**

The turntable simply sits on the drive axle, and can fall off if the device is handled incorrectly.

- Never place the record player in a slanted or vertical position after the turntable has been installed!
- Always use the original packaging for transportation.

3. Unpack the slipmat and place it on the turntable.

REMOVING THE TONE ARM TRANSPORT PROTECTION

In order to protect the tone arm during transport, the tone arm retainer (12) is protected by protective transport materials in its delivery state.

- Before operating the 217 for the first time, undo the tone arm retainer and remove the protective transport materials.

Connecting the Device

ATTENTION! DEVICE TEMPERATURE AFTER UNPACKING

If the temperature is too high or too low, this can cause the device to malfunction.

- After unpacking the device, leave it to sit in the room for a time before connecting and switching it on.

CONNECTING THE DEVICE TO THE MAINS

Plug the enclosed power cable into the mains socket (6) on the back of the 217. Plug the mains plug into a nearby socket.



WARNING: MAINS CONNECTION AND PROTECTIVE EARTH CONDUCTOR

Use the 3-wire power cable supplied with the device to connect it to the power supply. The protective earth contact must never be disabled.

The device must be connected to a socket with a properly functioning protective earth connection.

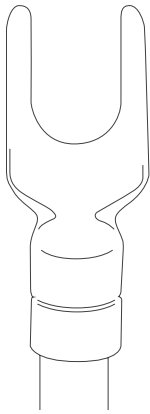
The device has a power supply that automatically adapts to the mains voltage.

This means that the device can be operated with any standard mains voltage.

- Route the power cable in such a way that it cannot be damaged.
- Do not continue to use the power cable if it is damaged. Instead, switch off the device and contact your specialist dealer.

CONNECTING THE TONE ARM CABLE TO YOUR MUSIC SYSTEM

Switch off all the components of your music system. Connect the tone arm cable to a suitable phono preamplifier or an amplifier with a built-in phono preamplifier using the XLR plugs for the left (blue) and right (red) channels.

Earth conductor with spade lug

Connect the tone arm cable's earth conductor to the spade lug on the earth connection on your preamplifier or amplifier. Observe the operation manual for your amplifier while doing so.

NOTE:

If your amplifier does not have XLR inputs, you can use adapters or a high-quality tone arm with other connectors.

→ For more information on this, please contact your dealer.

Do not switch your music system on again until you are sure that all the devices are connected correctly. Set your amplifier to a low volume at first.



Overview of the 217



FRONT SIDE

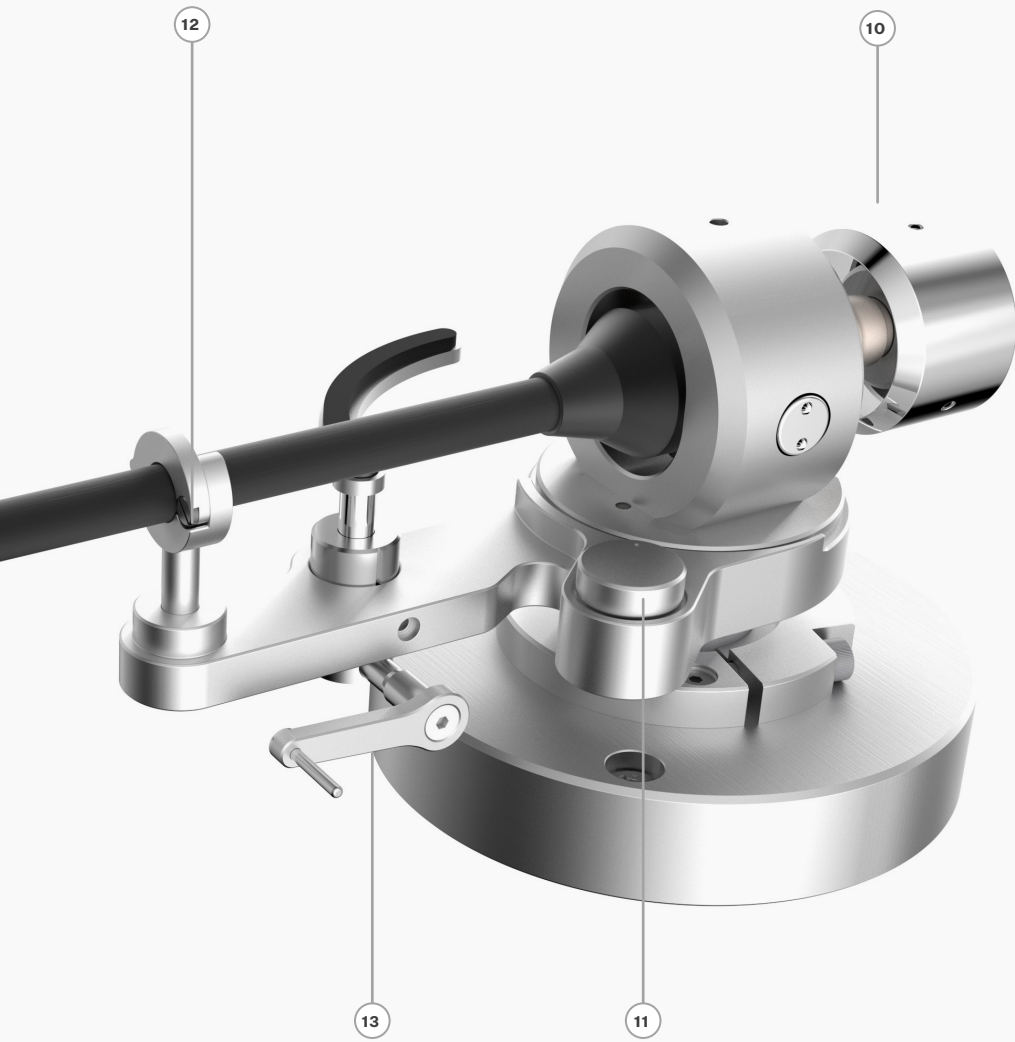
1	Speed switching button
2	Turntable
3	Tone arm
4	POWER LED
5	POWER switch



REAR SIDE

6	Mains switch
7	Mains socket
8	Height-adjustable feet
9	Tone arm cable connection port





TONE ARM

10	Tone arm weight
11	Anti-skating adjustment mechanism
12	Tone arm retainer
13	Cue control lever
14	Pickup (with stylus protector)

Burmester

217



POWER



Operating the Record Player



SWITCHING ON THE DEVICE

1. Set the mains switch (5) on the rear of the device to the I position (ON).
2. Switch the POWER switch (5) on the front of the device to the middle position.
 - The POWER LED (4) will light up. The record player is now in standby mode.
3. Briefly flick the POWER switch (5) up into the ON position.
 - The POWER LED (4) will change colour, and the turntable will begin to spin at the speed it was last set to.

NOTE:

The 217 has a soft-start function. After it is switched on, the speed LED will flash until it reaches the selected speed.

STANDBY MODE

The device is switched on. The POWER LED (4) is lit up and the turntable has started to spin.

Briefly flick the POWER switch (4) up into the ON position.

- The motors will stop and the record player will switch to standby mode.
- The POWER LED (4) will change colour.

SWITCHING OFF THE DEVICE

The device is switched on or in standby mode.

- The POWER LED (4) is lit up.

Briefly flick the POWER switch (5) down into the OFF position.

- The motors will stop.
- The POWER LED (4) will go out.

SELECTING THE LED COLOURS

To customise the POWER LED colours to suit your preferences, you can choose one of two configurations:

1. (Standard): STBY = red, ON = green
2. STBY = orange, ON = red.

To change the colour scheme, the device must be in standby mode.

- Press and hold the power switch in the ON position for 10 seconds until the POWER LED changes colour.



1

CHOOSING SPEED

The 217 has two playback speeds: 33 and 45 rpm.

1. Switch on the device as described above.
 - The turntable will start to spin.
2. Select the speed you require using the corresponding switch (1) on the front-left of the device.
 - The turntable will turn at the selected speed. It will take a few seconds to get up to speed.
 - The LED at the side indicates the selected speed.

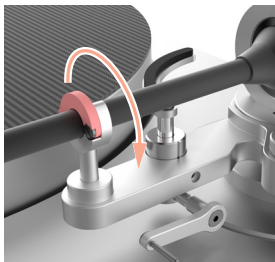
PICKUP STYLUS PROTECTOR

In the delivery state, there is a stylus protector on the pickup to protect the sensitive stylus.

Before playing a record, remove the stylus protector from the pickup system (14) by carefully pulling it downwards.

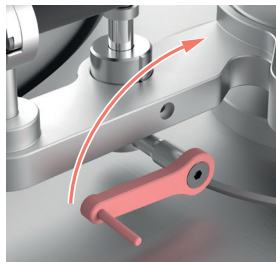
- Keep the stylus protector in a safe place and put it back on the record player when it is not in use.

RAISING AND LOWERING THE TONE ARM



1. If necessary, undo the tone arm retainer (12).

RAISING THE TONE ARM



- Move the cue control lever (13) back.
- The tone arm will raise.

LOWERING THE TONE ARM



- Move the cue control lever (13) forwards.
- The tone arm will lower.

NOTE:

In order to avoid damaging the stylus, do not lower the tone arm unless there is a record on the turntable.

Adjusting the Tone Arm

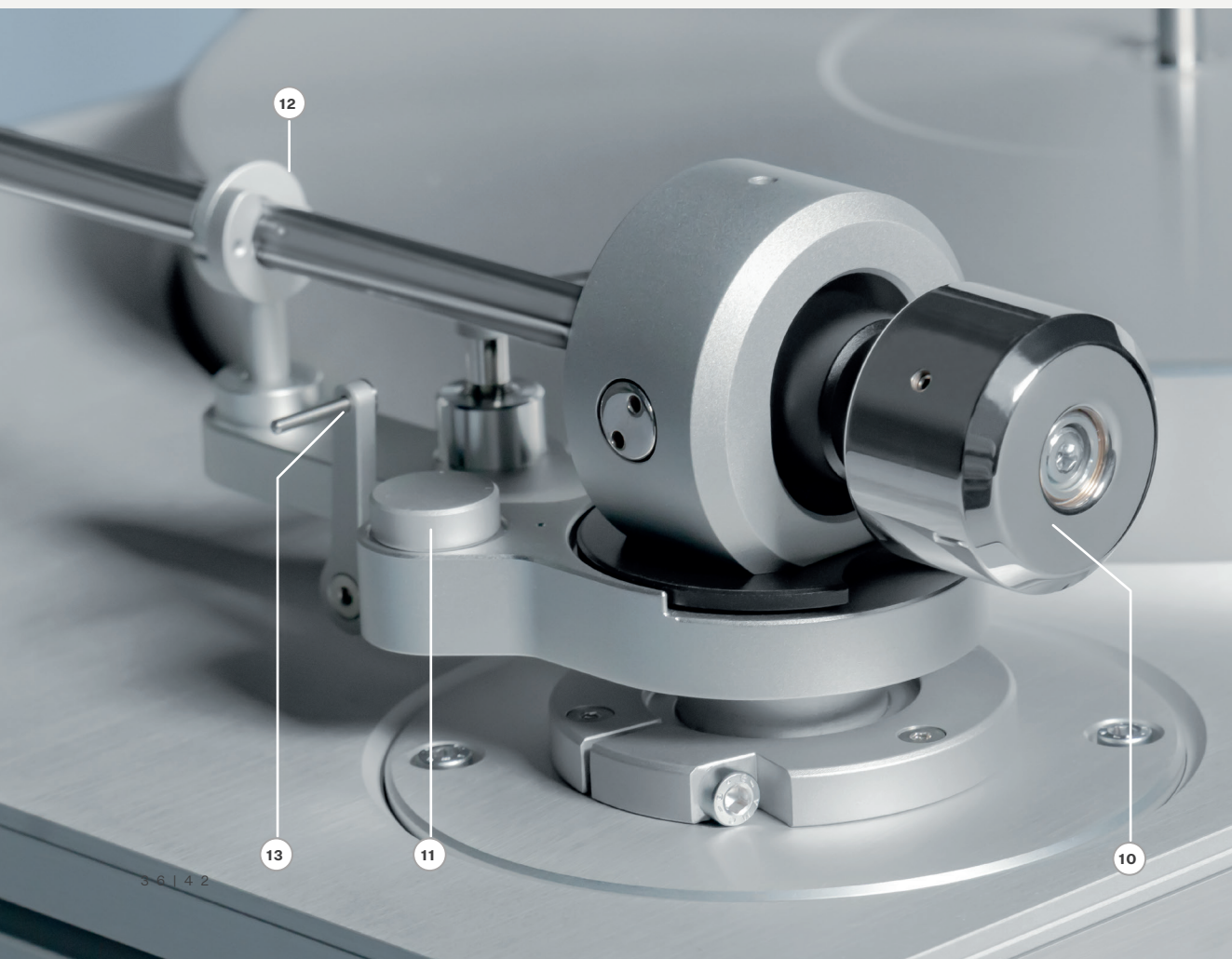
SETTING THE ANTI-SKATING MECHANISM

In its delivery state, the 217's tone arm will be pre-calibrated and should not need any further adjustment.

If required, you can set the anti-skating mechanism to compensate for the forces exerted by the tone arm. This will ensure you can enjoy the perfect sound experience. If you want to check or adjust the anti-skating mechanism, the easiest way to do this is using the Burmester Reference Check record available from your dealer.

NOTE:

Make sure you switch off your music system for the duration of the adjustment work!



TO ADJUST THE ANTI-SKATING MECHANISM USING THE BURMESTER REFERENCE CHECK RECORD, PLEASE PROCEED AS FOLLOWS:

1. Place the Burmester Reference Check record on the turntable with Side A facing upwards, and switch on the record player using the POWER switch (5).
→ The record will start to spin.
2. Set the speed adjustment switch (1) to 45.
3. If necessary, undo the tone arm's transport retainer (12).
4. Raise the tone arm using the cue control lever.
5. Move the tone arm to the centre of the open space on the test record.
6. Lower the tone arm using the cue control lever (13).
→ The pickup must maintain its position on the test record without drifting either inwards or outwards.

If the pickup does not maintain its position:

7. Slowly turn the anti-skating adjustment mechanism (11) clockwise.
8. If the drifting becomes more pronounced, turn the adjustment mechanism back in the opposite direction.
9. Turn the adjustment mechanism in the required direction until the pickup maintains its position.

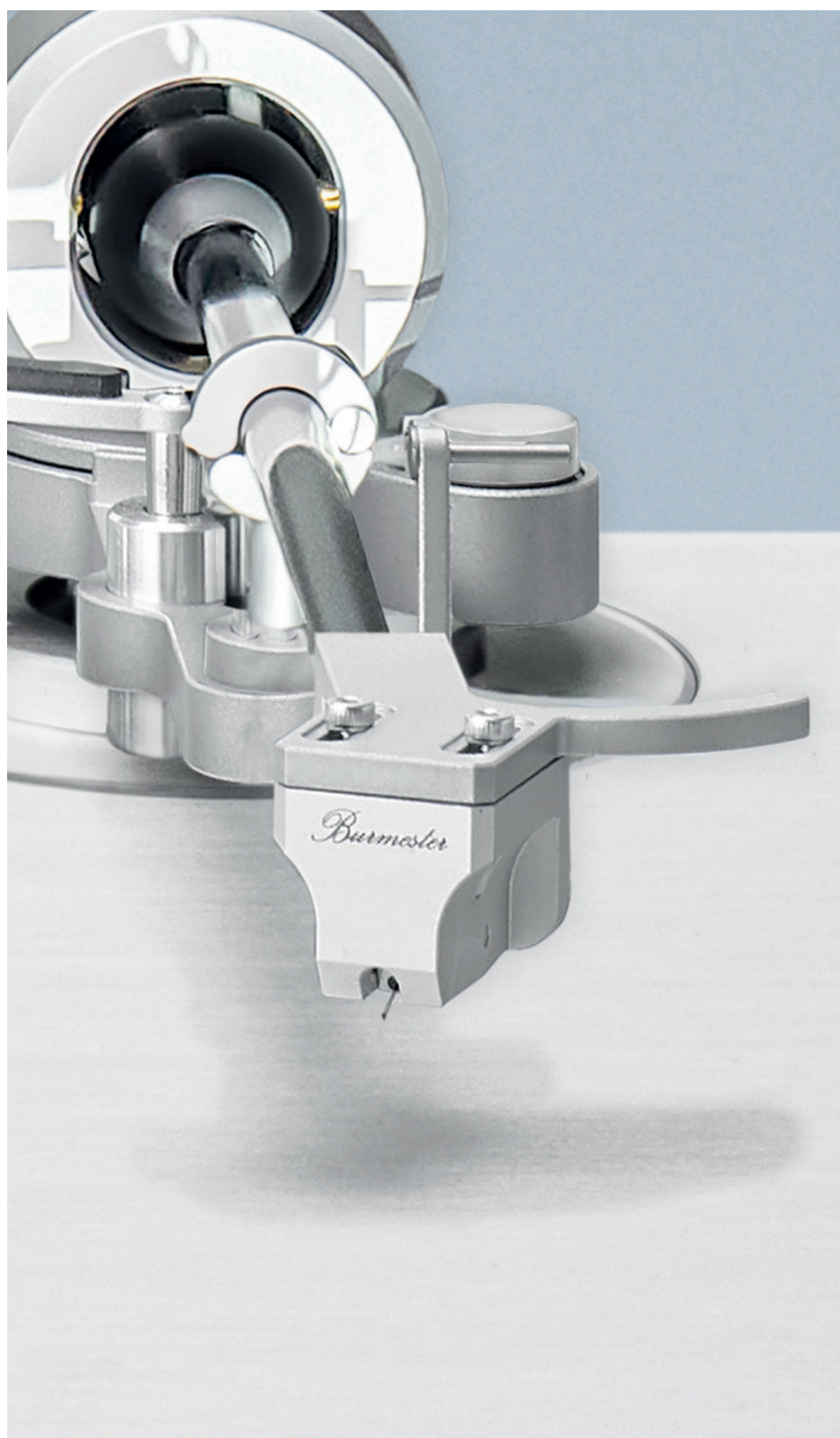
NOTE:

Setting the anti-skating mechanism up in a way that allows the tone arm to drift outwards slightly may improve the sound of your system.

ADJUSTING THE CONTACT WEIGHT

The contact weight (10) of the tone arm is already set up for the enclosed Burmester MC pickup system, and does not require further adjustment. It is fixed in place using grub screws to prevent it from being adjusted accidentally.

If you have any questions regarding adjusting your tone arm, please contact your dealer.



Maintenance, Repair and Care

Maintenance, Repair and Care



ATTENTION! DAMAGE TO THE SURFACE

Liquids and chemical agents can damage the surface of the housing.
Ensure that no liquids get into the device.
Do not use chemical agents when cleaning.

- Always care for your Burmester device exclusively using the enclosed care kit.



DANGER! OPENING THE DEVICE

When the power cable is connected, the components inside the housing conduct potentially fatal voltages.

There are no parts inside the device that can be serviced by the user.

- Do not try to remove the turntable and do not open the device.

FAULTS DURING OPERATION

If your device demonstrates a fault during operation and you are unable to remedy said fault using the instructions in this operation manual, please contact your dealer.

WARRANTY

We provide a two-year warranty on this device.

If you send in the completed warranty certificate papers within four weeks of purchase, the warranty will be extended to three years.

For the warranty to be valid, the device must have been connected correctly and retain its mechanical integrity.

The warranty will expire if the device is tampered with in any way or if parts of the housing or the tone arm are dismantled.

DISPOSAL

German law stipulates that this device and its accessories must not be disposed of with household waste (grey bin, yellow bin, compost bin, paper or glass). Instead, they must be handed in at municipal collection points or to voluntary recycling programmes.



Technical Specifications

Technology	Record player with belt drive
Width	482 mm
Height	165 mm
Depth	283 mm
Weight	31.5 kg
Voltage range	100 – 240 V~, 50/60 Hz
Power consumption when OFF (100 V/240 V)	0.05 W/0.07 W
Power consumption in standby (100 V/240 V)	0.09 W/0.12 W
Power consumption when ON at 33 RPM – (100 V/240 V)	11.8 W/11.8 W
Power consumption when ON at 45 RPM – (100 V/240 V)	6.9 W/7.4 W

Subject to technical changes without notice



VERSION: BA_217_EN_1-1_2110

BURMESTER HOME AUDIO GMBH

Wilhelm-Kabus-Straße 47

10829 Berlin

Germany

www.burmester.de