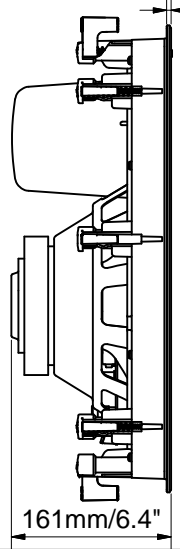
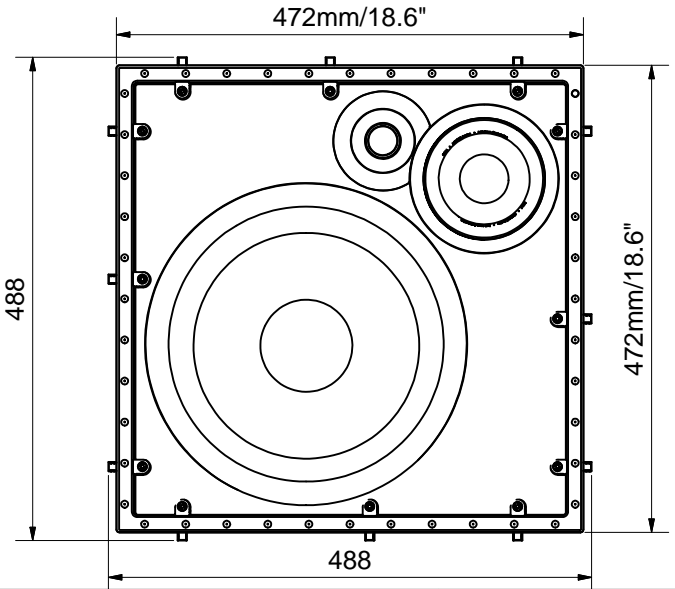
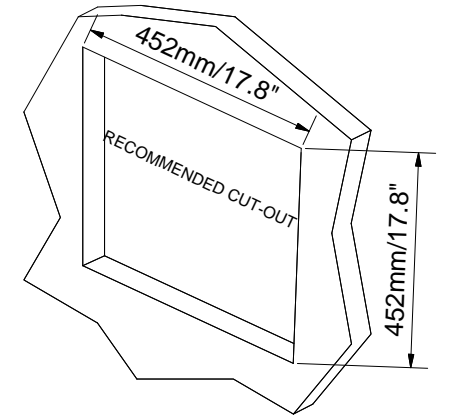
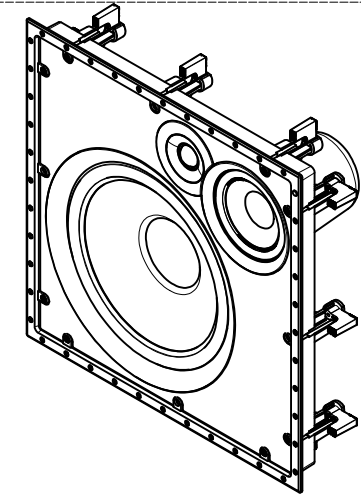
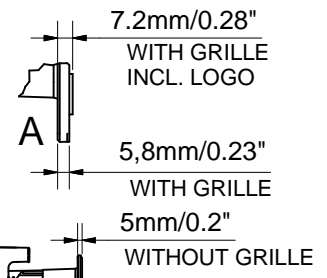
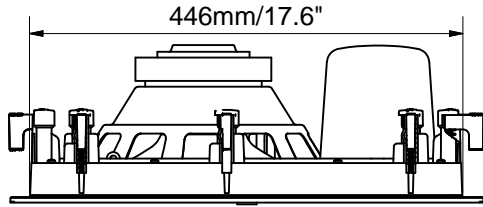
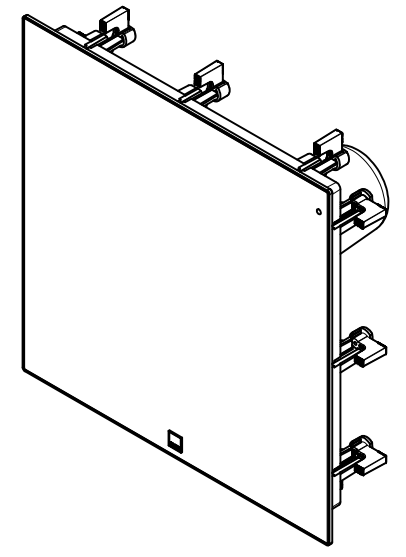
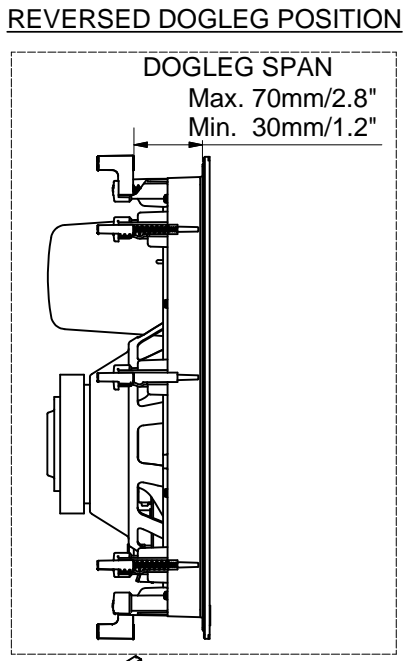
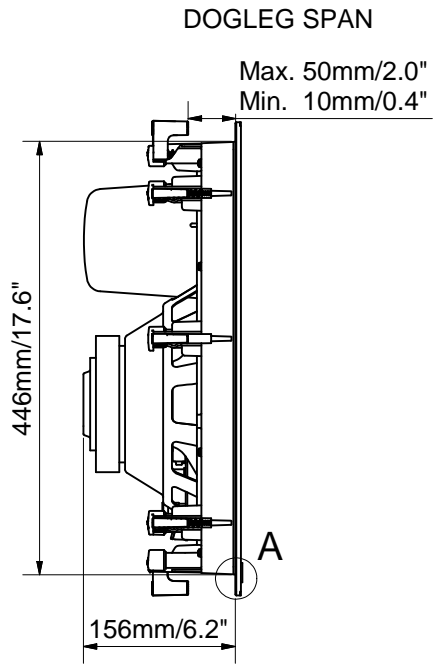
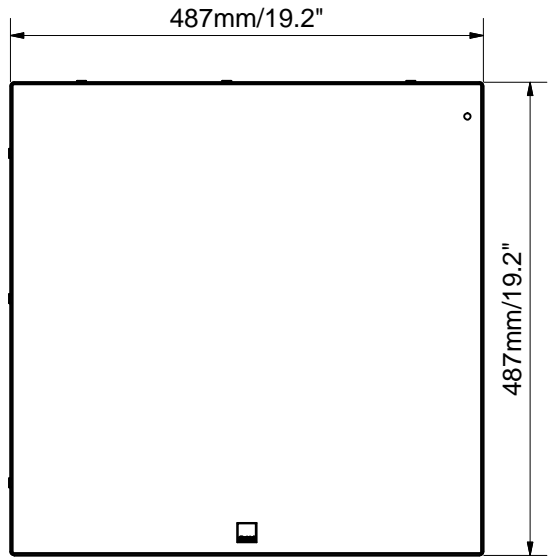


4 3 2 1



DALI PHANTOM H-120 :
RECOMMENDED WORKING VOLUMEN: 50 - 100 liter
Weight 9.0kg.

Material:		From mm:		0,5	3	6	30	120	400	1000	
		To mm (incl.):		3	6	30	120	400	1000	2000	
General tolerances: DS/ISO 2768	Drawn by : rt	Created : 09-03-2015	Scale:	Fine ±	0,05	0,05	0,1	0,15	0,2	0,3	0,5
				Medium ±	0,1	0,1	0,2	0,3	0,5	0,8	1,2
				Rough ±	0,2	0,3	0,5	0,8	1,2	2,0	3,0
Part no: 262060 PHANTOM H_120		Revision:		Sheet: 1 / 2		<p>DALI A/S Dali Allé 1 DK-9610 Nørager, Denmark Tel. +45 9672 1155 Fax +45 9855 1940</p>					
Drawing no.: 262060 PHANTOM H-120 Outer Dimension		B		Format: A3							
		01-02-2016									

B

B

A

A

4


3

2

1

REV	DATE	ENGINEER	APPROVED	DESCRIPTION	ECO
A	11-05-2015	RT	SUB	Released for marketing	-
B	01-02-2016	RT	LFJ	Added mессure for doglegs max. diameter. Added recommende working volumen.	-



Title:	Revision sheet	Sheet:	2 / 2	 DALI A/S Dali Allé 1 DK-9610 Norager, Denmark Tel. +45 9672 1155 Fax +45 9855 1940
Drawing no.:	262060 PHANTOM H-120 Outer Dimension	Format:	A4	